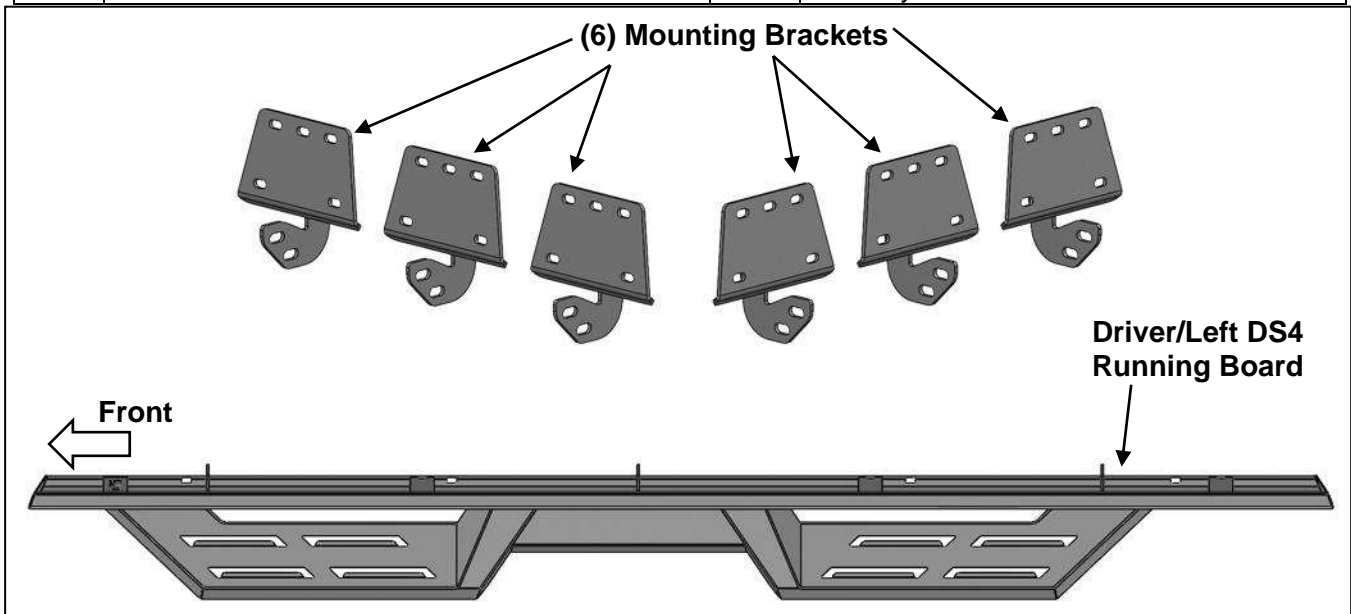


PARTS LIST:

1	Driver/left DS4 Running Board	24	10mm x 20mm OD x 2mm Flat Washers
1	Passenger/Right DS4 Running Board	12	10mm Nylon Lock Nuts
6	Mounting Brackets	18	8mm x 24mm OD x 2mm Lock Washers
12	10mm x 30mm Hex Bolts	18	8mm Nylon Lock Nuts

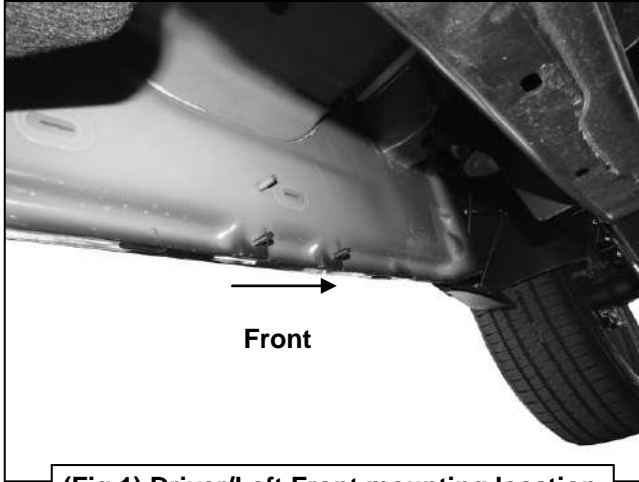


PROCEDURE:

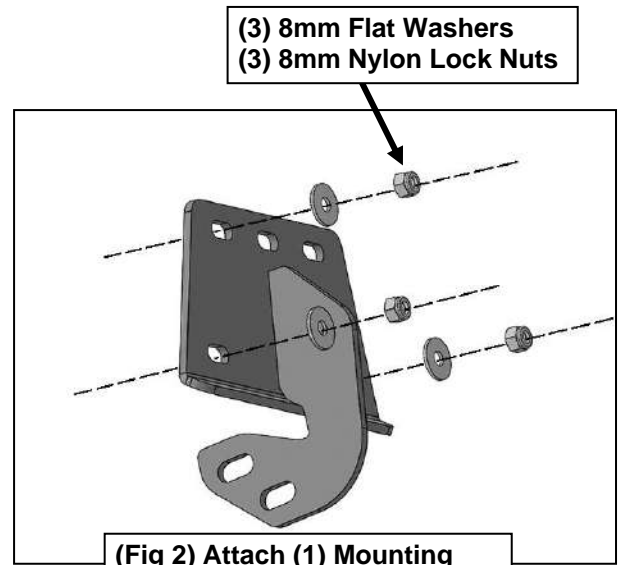
- 1. REMOVE CONTENTS FROM BOX. VERIFY ALL PARTS ARE PRESENT. READ INSTRUCTIONS CAREFULLY BEFORE STARTING INSTALLATION. USE WIRE BRUSH TO CLEAN MOUNTING STUDS OF PAINT AND DEBRIS.**
- Start the installation under the Driver/Left side of the vehicle. Locate the front (3) factory studs along the inner side of the body panel, **(Figure 1)**.
- Select (1) Driver/Left Mounting Bracket. Attach the Mounting Bracket to the (3) factory studs with (3) 8mm Flat Washers and (3) 8mm Nylon Lock Nuts, **(Figure 2)**. Do not tighten hardware.
- Repeat **Steps 1—3** to attach the remaining (2) Driver/Left Mounting Brackets to the center and rear mounting locations along the body panel, **(Figures 3 & 4)**.
- Select the Driver/Left DS4 Running Board. Attach the Running Board to the rear faces of the (3) Mounting Brackets with (6) 10mm Hex Bolts, (12) 10mm Flat Washers and (6) 10mm Nylon lock Nuts, **(Figure 5)**. Do not tighten hardware.
- Level and adjust the Running Board as necessary and fully tighten all hardware.
- Repeat **Steps 1—6** to attach the Passenger/Right DS4 Running Board to the vehicle.
- Do periodic inspections to the installation to make sure that all hardware is secure and tight.

To protect your investment; Do not use any type of polish or wax that may contain abrasives that could damage the finish. Mild soap may be used also to clean the Running Boards.

Driver/Left Side Installation Pictured

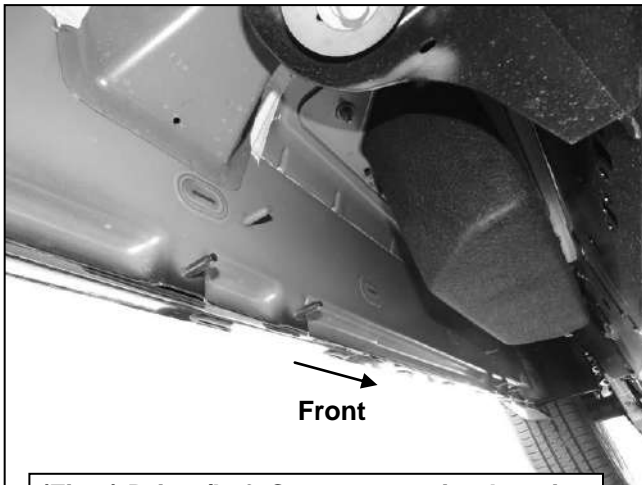


(Fig 1) Driver/Left Front mounting location

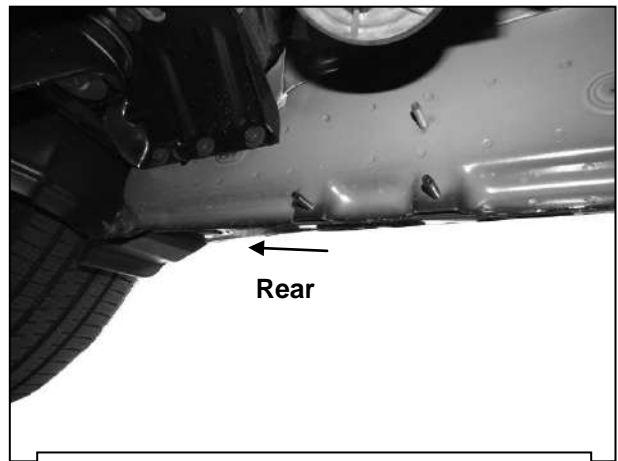


- (3) 8mm Flat Washers
- (3) 8mm Nylon Lock Nuts

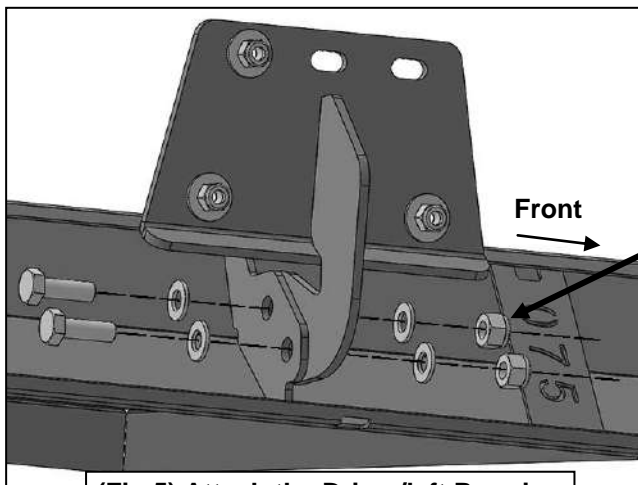
(Fig 2) Attach (1) Mounting Bracket to the threaded studs



(Fig 3) Driver/Left Center mounting location



(Fig 4) Driver/Left Rear mounting location



- (2) 10mm Hex Bolts
- (4) 10mm Flat Washers
- (2) 10mm Nylon Lock Nuts

(Fig 5) Attach the Driver/left Running Board to the (3) Mounting Brackets