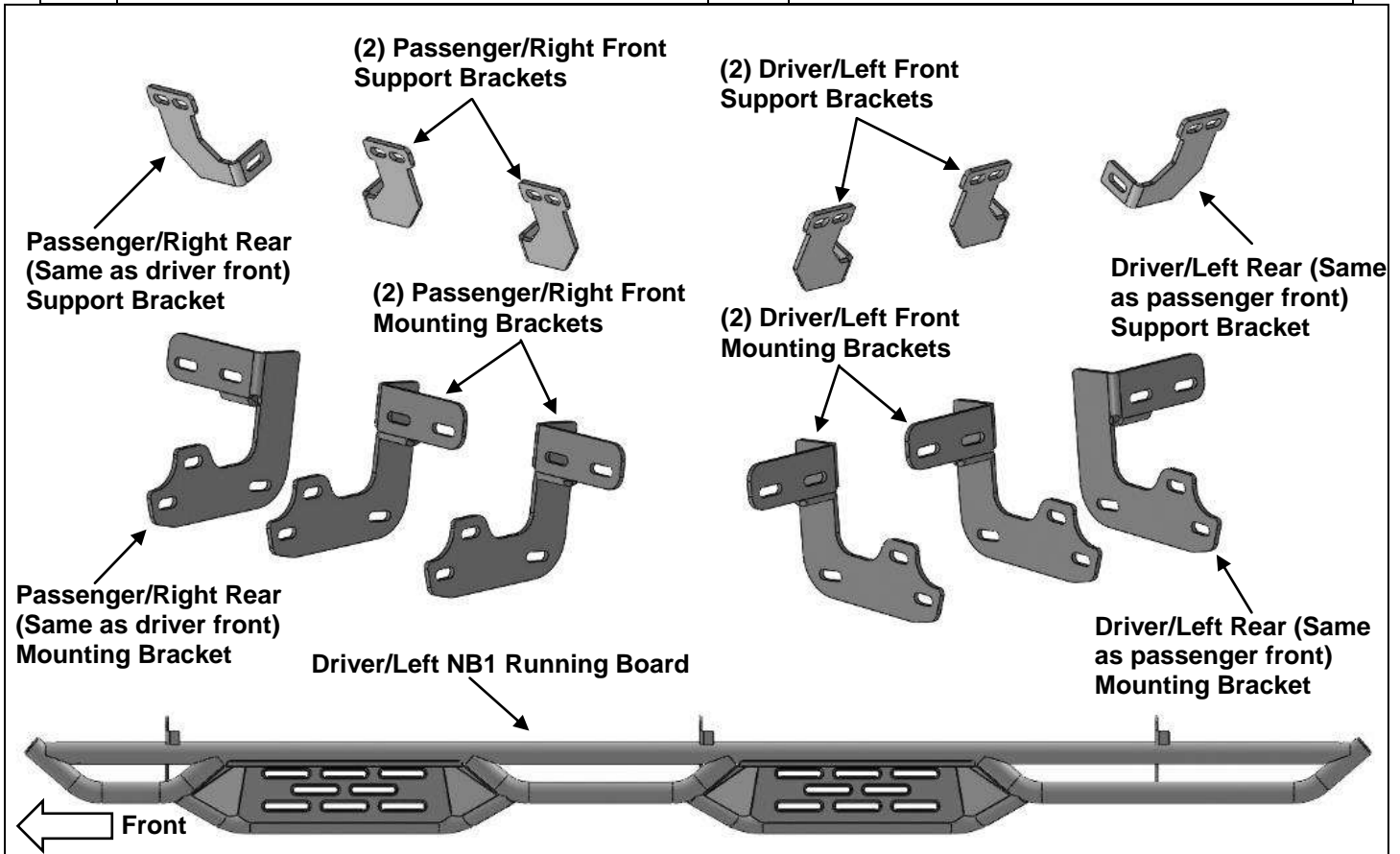


PARTS LIST:

1	Driver/Left NB1 Running Board	18	8-1.25mm x 30mm Hex Bolts
1	Passenger/Right NB1 Running Board	24	8mm x 24mm OD x 2mm Flat Washers
3	Driver/Left Mounting Brackets	12	8mm Lock Washers
3	Passenger/Right Mounting Brackets	6	8mm Hex Nuts
3	Driver/Left Support Brackets	6	8mm Nylon Lock Nuts
3	Passenger/Right Support Brackets	6	8mm Plastic Retainers
12	10-1.5mm x 35mm Hex Bolts	12	6-1.0mm x 25mm Hex Bolts
24	10mm x 27mm OD x 3mm Flat Washers	24	6mm x 22mm OD x 2mm Flat Washers
12	10-1.5mm Nylon Lock Nuts	12	6-1.0mm Nylon Lock Nuts
6	8mm Bolt/Nut Plates		



PROCEDURE:

1. REMOVE CONTENTS FROM BOX. VERIFY ALL PARTS ARE PRESENT. READ INSTRUCTIONS CAREFULLY BEFORE STARTING INSTALLATION. DRILLING MAY BE REQUIRED.
2. Starting at the Driver/Left front of the vehicle, remove the sealing tape covering the factory holes in the side of the inner panel, **(Figure 1)**.
3. Determine the correct procedure to attach (1) Driver/Left Mounting Bracket for your model/year:

Models without factory threaded inserts in body panel:

 - a. Partially thread (1) 8mm Hex Bolt into the threaded end of (1) 8mm Bolt/Nut Plate, **(Figure 2)**. Thread the Hex Bolt in until it is flush with the welded nut, **(Figure 3)**. Use the Hex Bolt as a handle and insert the Bolt/Nut Plate into the oval hole, **(Figure 4)**.
 - b. Feed the threaded bolt on the Bolt Plate through one of the hex shaped factory holes.
 - c. Thread (1) 8mm Plastic Retainer onto the threaded end and down tight against the body panel, **(Figure 5)**. **NOTE:** The Plastic Retainer is designed to keep the Bolt/Nut Plate from falling into the body panel and to aid in Bracket installation.
 - d. Select (1) Driver/Left Mounting Bracket. Attach the Bracket to the threads on the Plate with (1) 8mm Flat Washer, (1) 8mm Lock Washer and (1) 8mm Hex Nut, **(Figure 6)**. Do not tighten hardware.

- e. Remove the 8mm Hex Bolt from the nut on the Bolt/Nut Plate from **Step 3a**. Rotate the Bolt on the Bolt/Nut Plate until the threaded nut lines up with the remaining hole in the Mounting Bracket and body panel, (**Figure 6**). Attach the Bracket to the threaded Nut Plate with (1) 8mm x 30mm Hex Bolt, (1) 8mm Lock Washer and (1) 8mm Flat Washer, (**Figure 7**). Do not tighten hardware.

Models with factory threaded inserts:

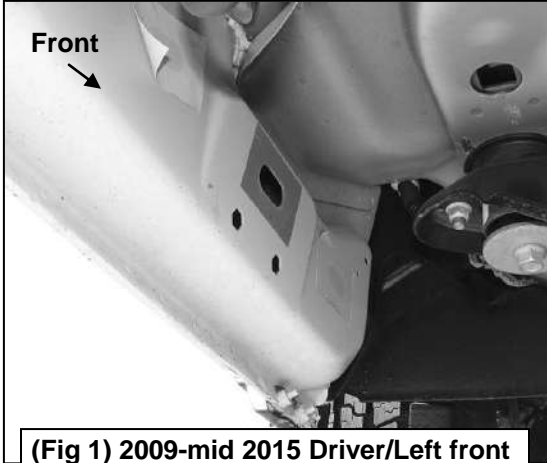
- a. Attach the driver side Front Bracket directly to the threaded inserts with (2) 8mm x 30mm Hex Bolts, (2) 8mm Lock Washers and (2) 8mm Flat Washer, (**Figures 8 & 9**). Do not tighten hardware.
4. Next, select (1) Driver/Left Support Bracket. Attach the Bracket to the pinch weld with (2) 6mm Hex Bolts, (4) 6mm Flat Washers and (2) 6mm Nylon Lock Nuts, (**Figure 10**). Attach the Support Bracket to the Mounting Bracket with (1) 8mm Hex Bolt, (2) 8mm Flat Washers and (1) 8mm Nylon Lock Nuts, (**Figure 11**). Do not tighten hardware. **IMPORTANT:** 2009-10 models are not equipped with factory holes and will require drilling through the pinch weld to attach the Support Bracket. Do not drill through pinch weld at this time, (**see Step 8**).
5. Move along the side of the body panel to the center mounting location, (**Figure 12**). Repeat **Steps 2—4** to attach (1) Driver/Left Mounting Bracket and (1) Support Bracket to the center location, (**Figure 13**).
6. Move to the rear location, (**Figure 14**). Repeat **Steps 2—4** to attach (1) Passenger/Right Mounting Bracket (1) Passenger/Right Support Bracket to the rear location, (**Figure 15**).
7. Select the Driver/Left Running Board. Attach the Running Board to the rear faces of the Mounting Brackets with (6) 10mm Hex Bolts, (12) 10mm Flat Washers and (6) 10mm Nylon Lock Nuts, (**Figures 16 & 17**). Do not tighten hardware.
8. Properly level and adjust the Running Board and fully tighten all hardware.

2009-10 models requiring drilling for driver side Support Brackets:

- a. Make sure the Running Board is level to the vehicle. Adjust and tighten all mounting hardware.
 - b. Line up the slots on the Support Brackets with the back of the pinch weld. Mark the location of the slots onto the pinch weld.
 - c. Drill (2) 1/4" holes through the pinch weld for each Support Bracket. **IMPORTANT:** Do not drill too close to the bottom edge of the pinch weld. Adjust the Brackets as necessary to move the slots up the body panel away from the edge. Drill the holes toward the outside of the marked slots.
 - d. Attach each Support Bracket to the pinch weld with (2) 6mm Hex Bolts, (4) 6mm Flat Washers and (2) 6mm Nylon Lock Nuts, (**Figures 16—19**). Check the Running Board for level then fully tighten all hardware.
9. Repeat **Steps 2—8** to attach the Passenger/Right Running Board.
 10. Do periodic inspections to the installation to make sure that all hardware is secure and tight.

To protect your investment, wax this product after installing. Regular waxing is recommended to add a protective layer over the finish. Mild soap may be used to clean the Running Boards.

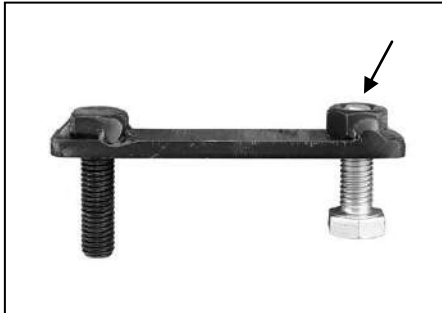
Driver Side Installation Pictured



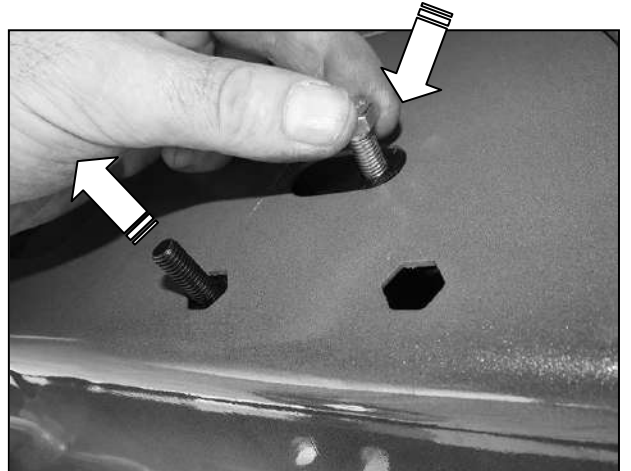
(Fig 1) 2009-mid 2015 Driver/Left front mounting location (No factory holes in pinch weld on 2009-2011 models)



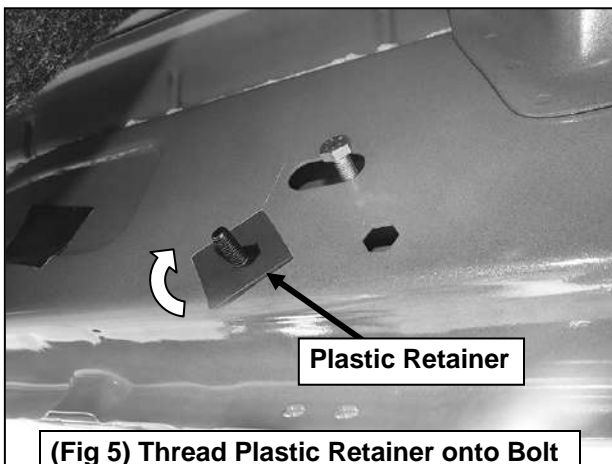
(Fig 2) 8mm Bolt-8mm Nut Plate, NOTE: 8mm Bolt-Nut Plate is not required on models with threaded inserts



(Fig 3) Thread (1) 8mm Hex Bolt into the nut on the plate. Stop when bolt reaches end of nut as pictured

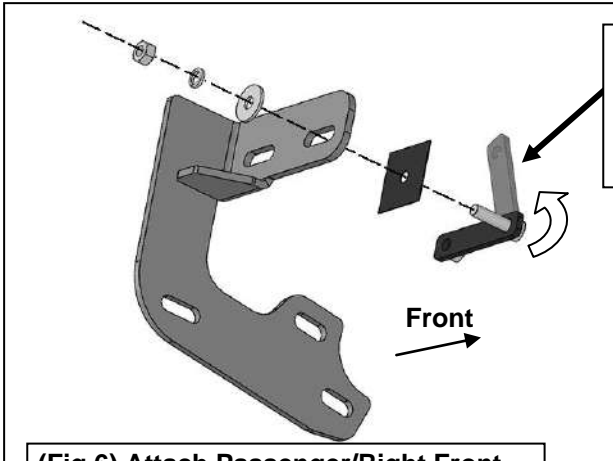


(Fig 4) Use the loose Hex Bolt as a handle. Insert the Bolt Plate into the oval hole and feed the threaded end out either factory hex shaped hole. **IMPORTANT:** Do not let go of the hex bolt until after Plastic Retainer has been threaded onto bolt (Fig 5)



(Fig 5) Thread Plastic Retainer onto Bolt Plate to hold Bolt Plate in position.

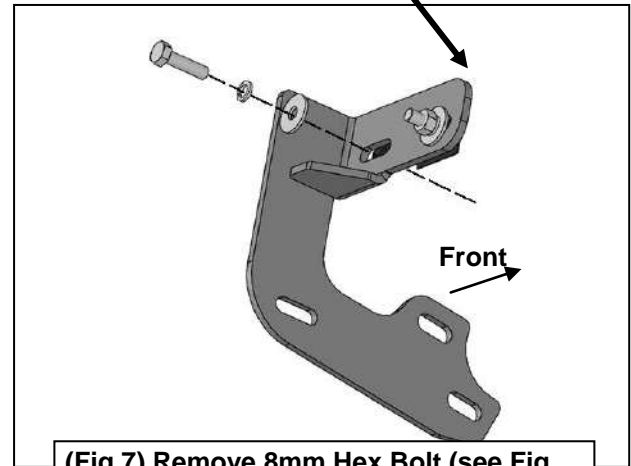
Driver Side Installation Pictured



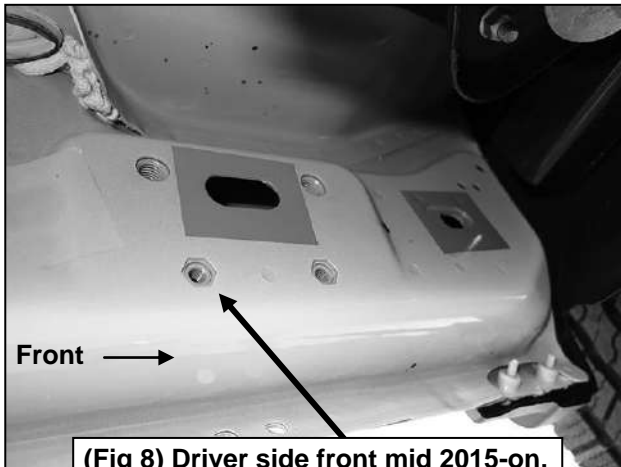
- 8mm Bolt/Nut Plate
- 8mm Plastic Retainer
- 8mm Flat Washer
- 8mm Lock Washer
- 8mm Hex Nut

- 8mm Hex Bolt
- 8mm Lock Washer
- 8mm Flat Washer

(Fig 6) Attach Passenger/Right Front Bracket to Bolt Plate. Rotate Bolt Plate to line up with remaining factory hex shaped hole. (Driver front pictured)

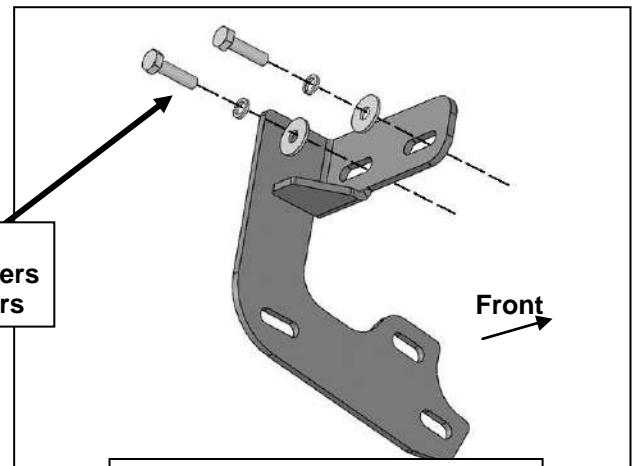


(Fig 7) Remove 8mm Hex Bolt (see Fig 3). Rotate Bolt Plate to line up with remaining factory hex shaped hole.



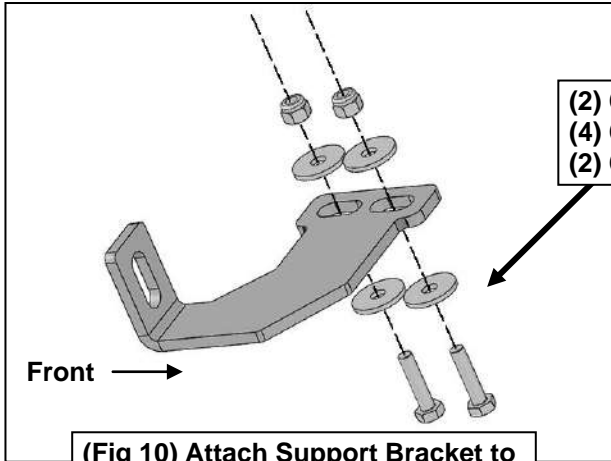
(Fig 8) Driver side front mid 2015-on, an example of models with factory installed threaded inserts

- (2) 8mm Hex Bolts
- (2) 8mm Lock Washers
- (2) 8mm Flat Washers



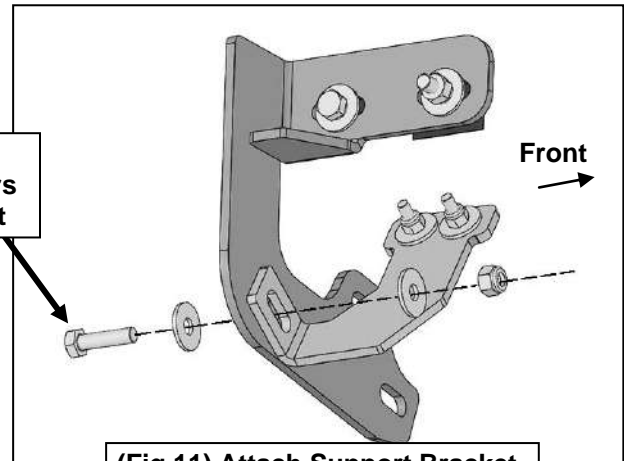
(Fig 9) Driver side front-models with factory installed threaded inserts. Bolt Plate not required

Driver Side Installation Pictured



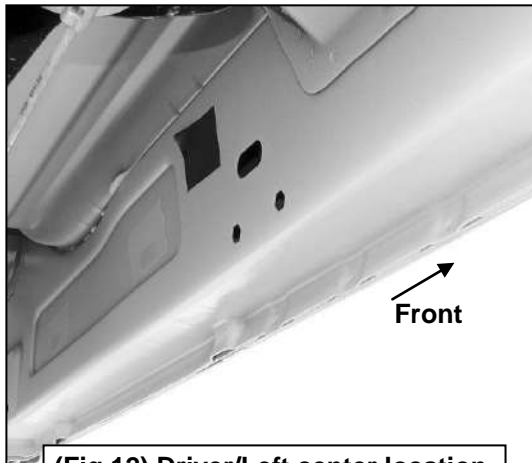
(2) 6mm Hex Bolts
(4) 6mm Flat Washers
(2) 6mm Nylon Lock Nuts

(Fig 10) Attach Support Bracket to back of pinch weld (models with factory holes in pinch weld only)



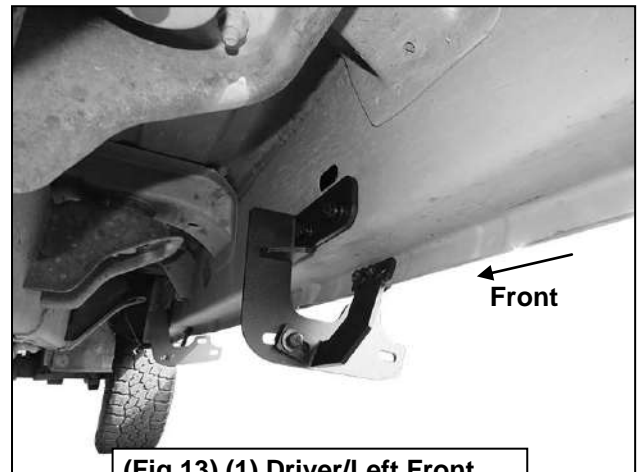
8mm Hex Bolt
(2) 8mm Flat Washers
8mm Nylon Lock Nut

(Fig 11) Attach Support Bracket to back of Mounting Bracket



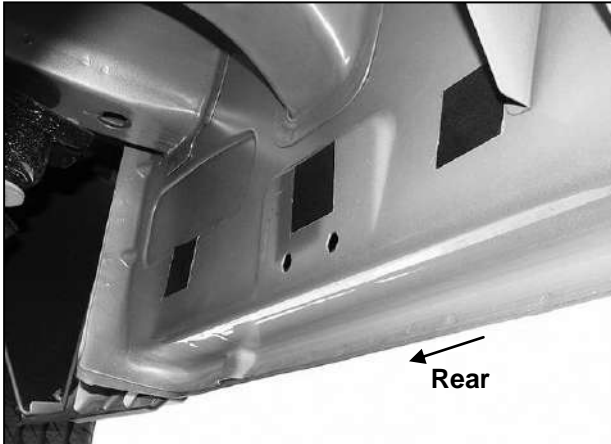
(Fig 12) Driver/Left center location

IMPORTANT: 2009-2010 models without holes in pinch weld will require drilling 1/4" holes through pinch weld to attach driver side front support bracket. Do complete installation of sidebars first, level sidebar before drilling holes for support bracket.



(Fig 13) (1) Driver/Left Front Mounting Bracket and Support attached to the center location

Driver Side Installation Pictured

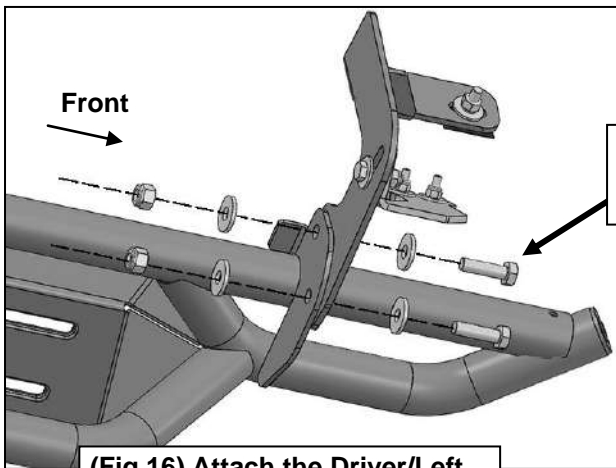


(Fig 14) Driver/Left rear mounting location

IMPORTANT: 2009-2010 models without holes in pinch weld will require drilling 1/4" holes through pinch weld to attach driver side front support bracket. Do complete installation of sidebars first, level sidebar before drilling holes for support bracket.

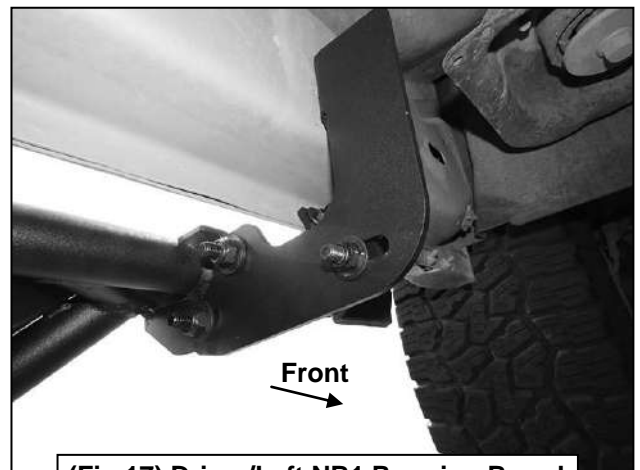


(Fig 15) Driver/Left Rear Mounting Bracket and Support Bracket attached to the rear location



(Fig 16) Attach the Driver/Left Running Board to the rear faces of the Mounting Brackets

- (2) 10mm Hex Bolts
- (4) 10mm Flat Washers
- (2) 10mm Nylon Lock Nuts



(Fig 17) Driver/Left NB1 Running Board attached to the Front Mounting Bracket