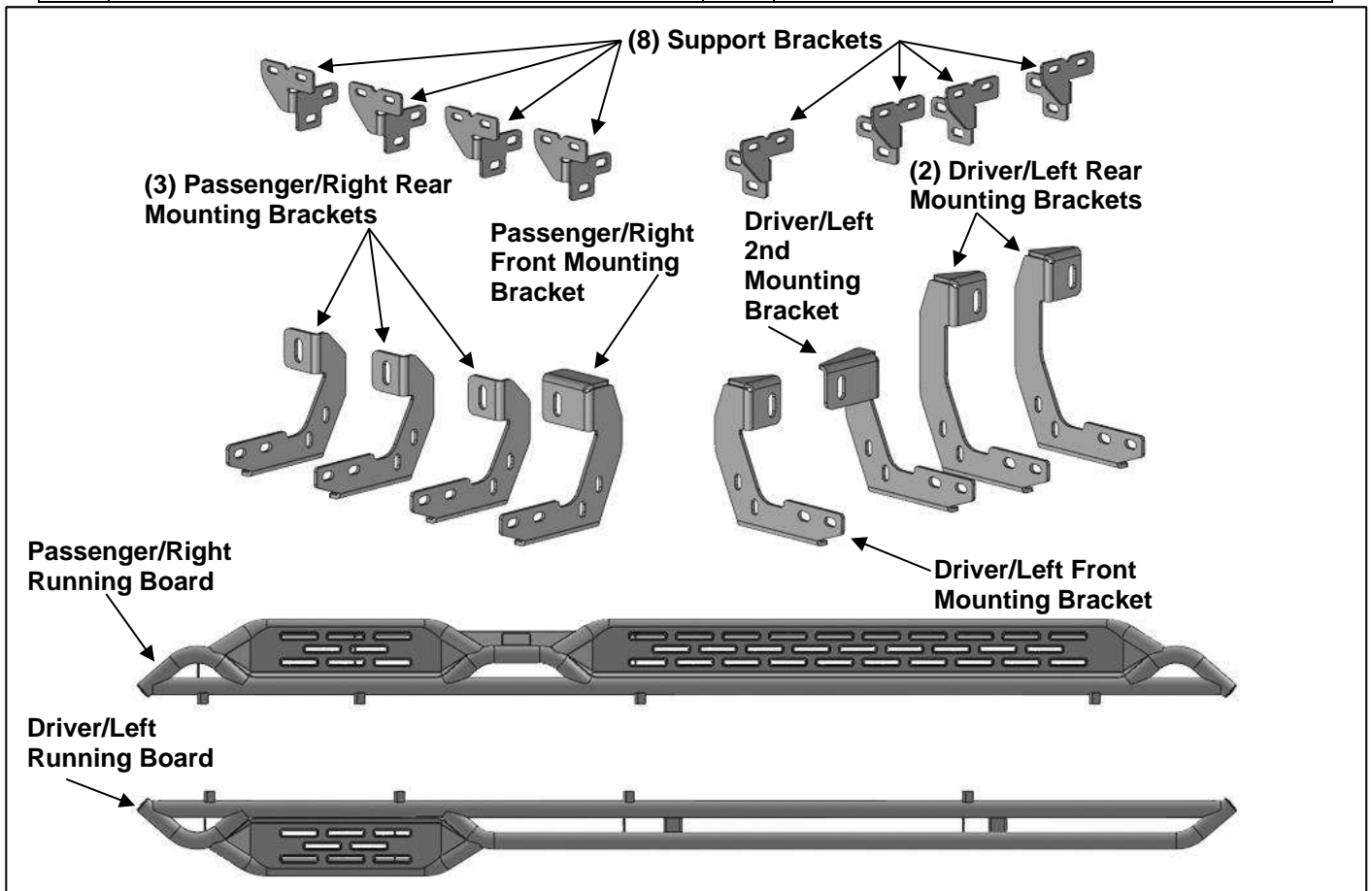


**OVERLAND NB1 RUNNING BOARD**  
**10-23 SPRINTER VAN (EXCL. PASSENGER VANS WITH REAR AC SYSTEMS)**  
**INCLUDES MERCEDES, 2007-09 FREIGHTLINER AND 2007-09 DODGE VANS**

**PARTS LIST:**

1	Driver/Left Running Board	16	10mm Nylon Lock Nuts
1	Passenger/Right Running Board	8	10mm Hex Nuts
1	Driver/Left Front Mounting Bracket	8	10mm Lock Washers
1	Passenger/Right Front Mounting Bracket	16	8mm x 30mm Hex Bolts
1	Driver/Left 2nd Mounting Bracket	32	8mm x 24mm OD x 2mm Flat Washers
2	Driver/Left Rear Mounting Brackets	16	8mm Lock Washers
3	Passenger/Right Rear Mounting Brackets	16	8mm Hex Nuts
8	Support Brackets	16	6mm x 30mm Hex Bolts
8	Plastic Retainers	32	6mm x 18mm OD x 1.6mm Flat Washers
8	10mm x 30mm Bolt Plates	16	6mm Lock Washers
16	10mm x 35mm Hex Bolts	16	6mm Hex Nuts
40	10mm x 24mm OD x 2.2mm Flat Washers		



**PROCEDURE:**

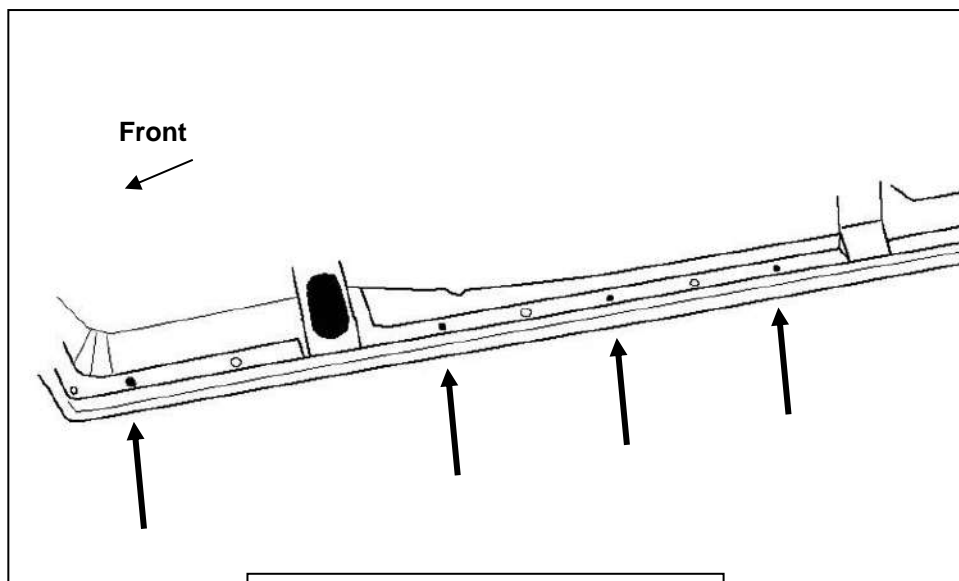
1. REMOVE CONTENTS FROM BOX. VERIFY ALL PARTS ARE PRESENT. READ INSTRUCTIONS CAREFULLY BEFORE STARTING INSTALLATION. DRILLING IS REQUIRED. ASSISTANCE IS RECOMMENDED.
2. Starting on the Passenger/Right side of the vehicle, locate the 2nd factory hole in the inner body panel from the front tire opening, (Figures 1 & 2). Remove the rubber plug. **NOTE:** Mounting locations may be covered with heavy undercoating. Refer to Figure 1 to find all mounting locations.
3. Select (1) 10mm Bolt Plate. Insert the Bolt Plate into the mounting hole. Thread (1) 10mm Plastic retainer onto the Bolt Plate to hold it in place, (Figure 3).
4. Select the unique Passenger/Right Front Bracket. Attach the Bracket to the Bolt Plate with (1) 10mm Flat Washer, (1) 10mm Lock Washer and (1) 10mm Hex Nut, (Figure 4). Do not tighten hardware.

**OVERLAND NB1 RUNNING BOARD**  
**10-23 SPRINTER VAN (EXCL. PASSENGER VANS WITH REAR AC SYSTEMS)**  
**INCLUDES MERCEDES, 2007-09 FREIGHTLINER AND 2007-09 DODGE VANS**

5. Next, select (1) Support Bracket. Attach the Support Bracket to the front face of the Passenger/Right Front Mounting Bracket with (2) 8mm x 30mm Hex Bolts, (4) 8mm Flat Washers, (2) 8mm Lock washers and (2) 8mm Hex Nuts, **(Figure 5)**. Line up the mounting flange on the Support Bracket with the **inside** of the pinch weld, **(Figure 9)**. Do not tighten hardware.
6. Repeat **Steps 2—5** to attach the (3) Passenger/Right Mounting Brackets and (3) Support Brackets to the body panel, **(Figures 6—8)**.
7. Select the Passenger/Right Running Board. Place the Running Board on top of the (4) Brackets. Attach the Running Board the front faces of the Mounting Brackets with (8) 10mm Hex Bolts, (16) 10mm Flat Washers and (8) 10mm Nylon Lock Nuts, **(Figure 11)**. Level and adjust the Running Board, then tighten **ONLY** the Mounting and Support Bracket hardware. Temporarily remove the Running Board.
8. Make sure the Brackets are level to the vehicle. Line up the slots on each Support Bracket with the outside of the pinch weld. Mark the location of the slots onto the pinch weld, **(Figure 9)**. **IMPORTANT:** Do not drill too close to the bottom edge of the pinch weld. Adjust Support Brackets and/or Mounting Brackets so that slots in Support Brackets are not too close to the bottom edge of the pinch weld. Once the Running Board and Brackets are properly adjusted and slot locations marked, remove the Running Board and Support Brackets. Use a 5/16" drill bit to drill the (2) holes through the pinch weld for each Support Bracket.
9. Attach each Support Bracket to the inside of the pinch weld with (2) 6mm Hex Bolts, (4) 6mm Flat Washers, (2) 6mm Lock Washers and (2) 6mm Hex Nuts, **(Figure 10)**. Repeat this Step to attach the remaining (3) Passenger/Right Support Brackets. Tighten the hardware attaching the Support Brackets to the vehicle only.
10. Repeat **Step 7** to reattach the Running Board, **(Figure 11)**.
11. Move to the Driver/Left side of the vehicle. Repeat **Steps 2—10** to attach the Driver/Left Running Board, **(Figures 12 & 13)**. Do not tighten hardware.
12. Level and adjust the Driver/Left Running Board, then tighten all hardware.
13. Do periodic inspections to the installation to make sure that all hardware is secure and tight.

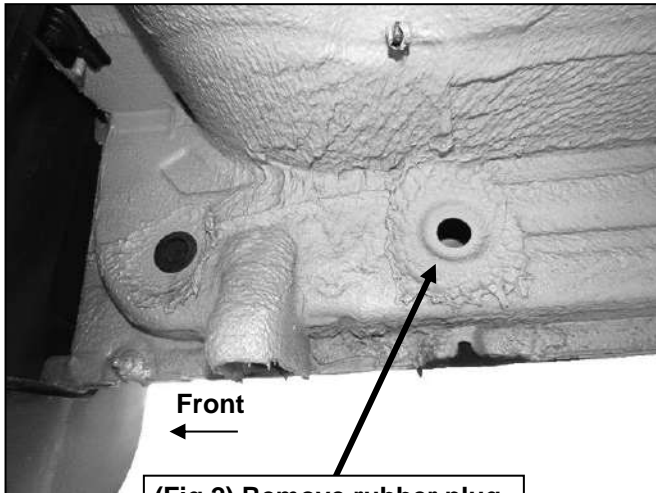
**To protect your investment**, Do not use any type of polish or wax that may contain abrasives that could damage the finish. Use Mild soap to clean the Running Board.

**Passenger/Right Side Installation Pictured**



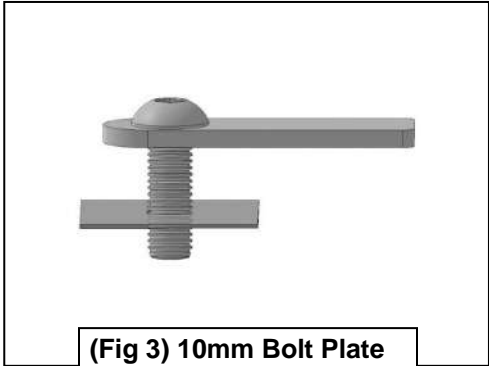
**(Fig 1) Passenger/Right body panel**

**OVERLAND NB1 RUNNING BOARD  
 10-23 SPRINTER VAN (EXCL. PASSENGER VANS WITH REAR AC SYSTEMS)  
 INCLUDES MERCEDES, 2007-09 FREIGHTLINER AND 2007-09 DODGE VANS  
 Passenger/Right Side Installation Pictured**

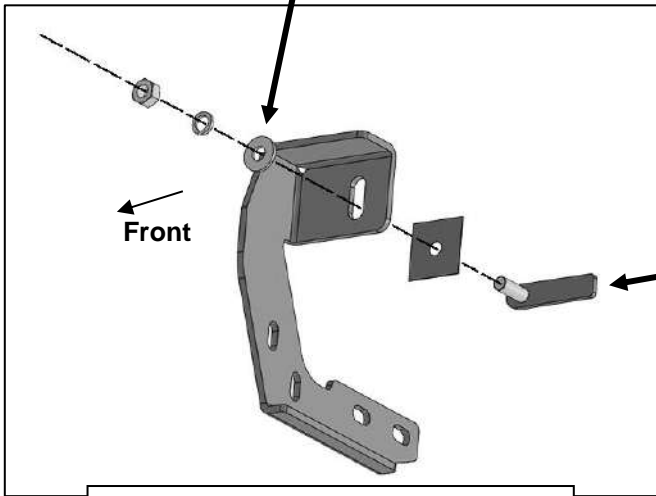


**(Fig 2) Remove rubber plug**

- 10mm x 24mm Flat Washer
- 10mm Lock Washer
- 10mm Hex Nut



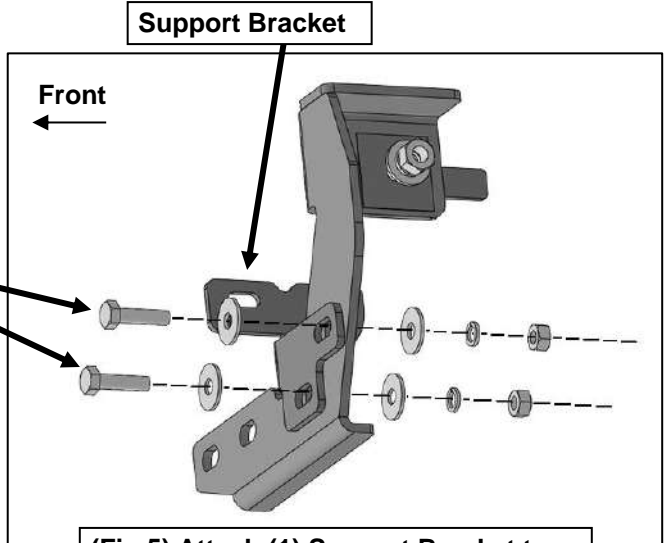
**(Fig 3) 10mm Bolt Plate with Plastic Retainer**



**(Fig 4) Attach Passenger/Right Front Mounting Bracket to the body panel**

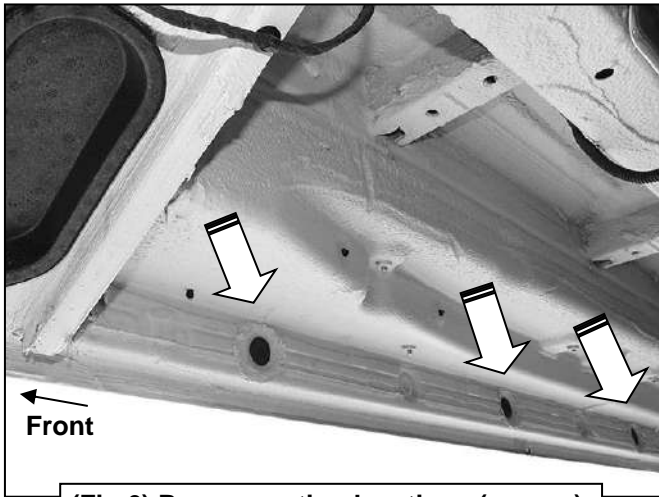
- 10mm Bolt Plate
- 10mm Plastic Retainer

- (2) 8mm Hex Bolts
- (4) 8mm Flat Washers
- (2) 8mm Lock Washers
- (2) 8mm Hex Nuts

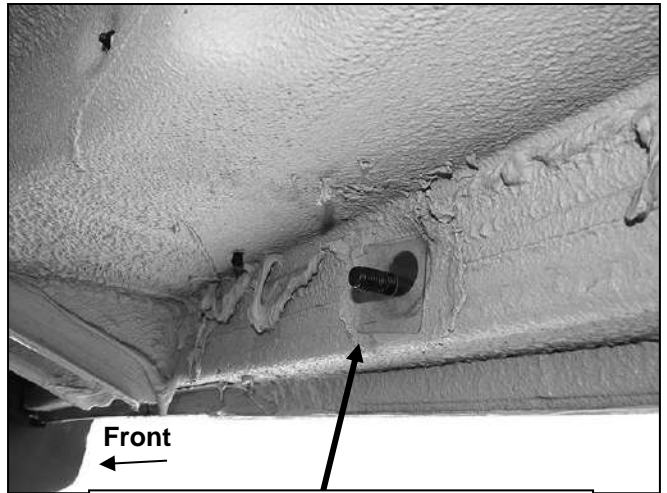


**(Fig 5) Attach (1) Support Bracket to the front face of the Mounting Bracket**

**OVERLAND NB1 RUNNING BOARD  
10-23 SPRINTER VAN (EXCL. PASSENGER VANS WITH REAR AC SYSTEMS)  
INCLUDES MERCEDES, 2007-09 FREIGHTLINER AND 2007-09 DODGE VANS  
Passenger Side Installation Pictured**



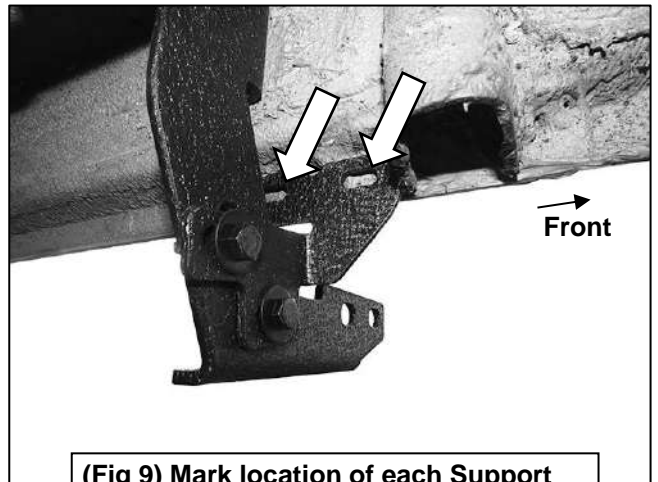
**(Fig 6) Rear mounting locations (arrows)**



**(Fig 7) Bolt Plate with Plastic Retainer inserted in #2 mounting location**

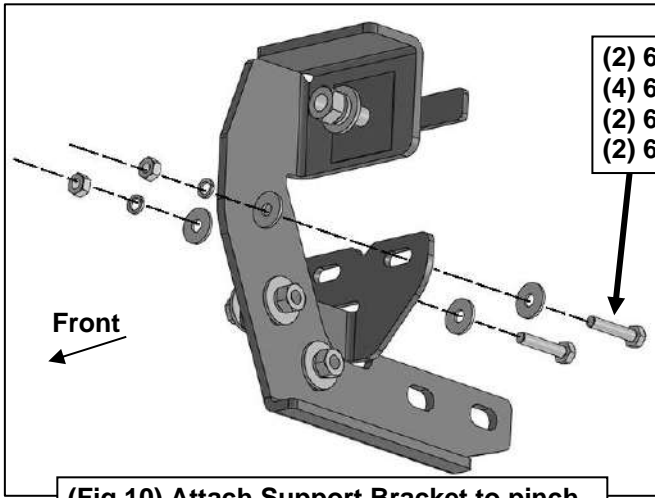


**(Fig 8) Bolt Plates with Plastic Retainers installed in #3 and rear mounting locations (arrows)**



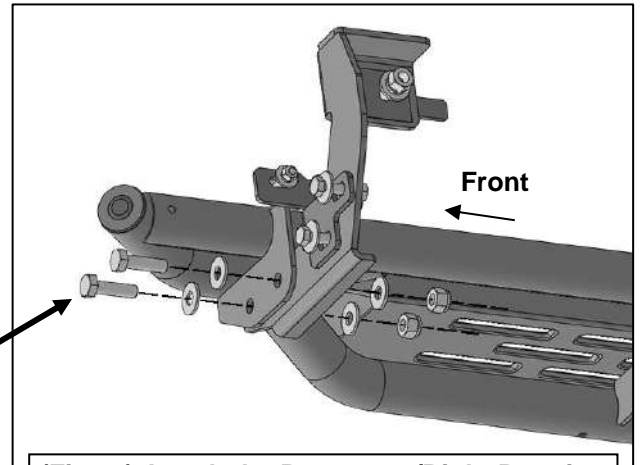
**(Fig 9) Mark location of each Support Bracket onto pinch weld before drilling**

**OVERLAND NB1 RUNNING BOARD  
10-23 SPRINTER VAN (EXCL. PASSENGER VANS WITH REAR AC SYSTEMS)  
INCLUDES MERCEDES, 2007-09 FREIGHTLINER AND 2007-09 DODGE VANS  
Passenger Side Installation Pictured**



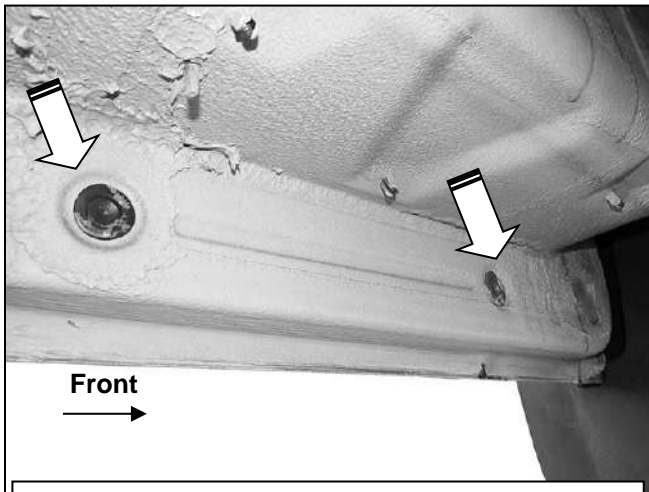
- (2) 6mm Hex Bolts
- (4) 6mm x 18mm Flat Washers
- (2) 6mm Lock Washers
- (2) 6mm Hex Nuts

**(Fig 10) Attach Support Bracket to pinch weld (passenger front Bracket illustrated)**

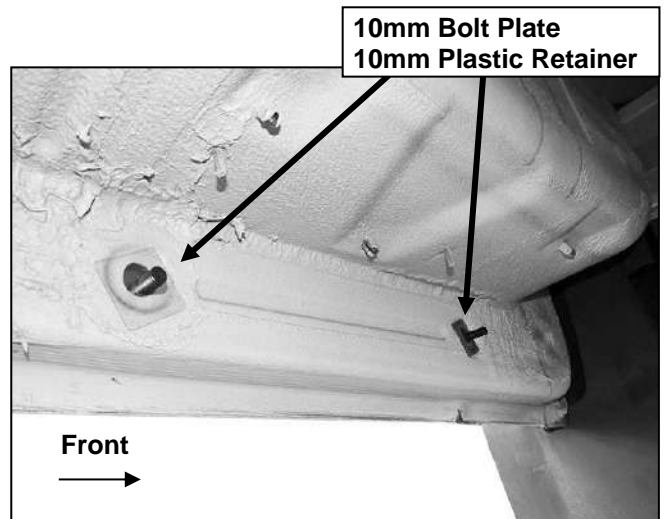


- (2) 10mm Hex Bolts
- (4) 10mm x 24mm Flat Washers
- (2) 10mm Nylon Lock Nuts

**(Fig 11) Attach the Passenger/Right Running Board to the (4) Mounting Brackets**



**(Fig 12) Driver/Left mounting locations (arrows)**



- 10mm Bolt Plate
- 10mm Plastic Retainer

**(Fig 13) Bolt Plates with Plastic Retainers inserted in Driver/Left front and rear mounting locations**