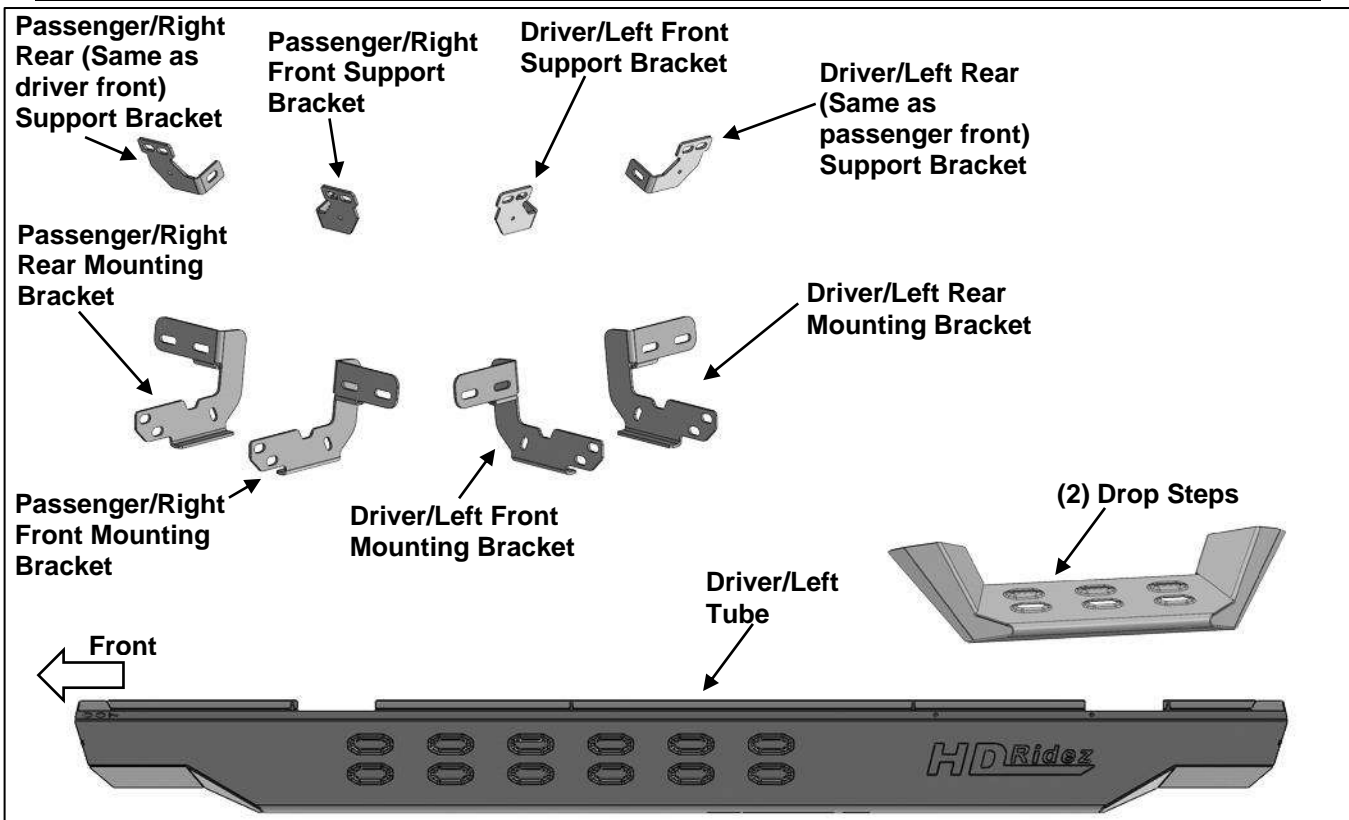


PARTS LIST:

1	Driver/Left Tube	4	8mm Single Bolt Plates
1	Passenger/Right Tube	12	8mm x 30mm Hex Bolts
2	Drop Steps	16	8mm x 24mm OD x 2mm Flat Washers
2	Driver Front/ Passenger Rear Mounting Brackets	8	8mm x 22mm OD x 2mm Flat Washers
2	Passenger Front/Driver Rear Mounting Brackets	8	8mm Lock Washers
2	Driver Front/ Passenger Rear Support Brackets	4	8mm Hex Nuts
2	Passenger Front/Driver Rear Support Brackets	12	8mm Nylon Lock Nuts
8	10mm x 30mm Hex Bolts	4	8mm Plastic Retainers
16	10mm x 20mm OD x 2mm Flat Washers	8	6mm x 25mm Hex Bolts
8	10mm Nylon Lock Nuts	16	6mm x 22mm OD x 2mm Flat Washers
4	8mm Triangle Double Bolt Plates	8	6mm Nylon Lock Nuts



PROCEDURE:

- REMOVE CONTENTS FROM BOX. VERIFY ALL PARTS ARE PRESENT. READ INSTRUCTIONS CAREFULLY BEFORE STARTING INSTALLATION. DRILLING MAY BE REQUIRED.**
- Starting at the Driver/Left front of the vehicle, remove the sealing tape covering the factory holes in the side of the inner panel, **(Figure 1)**.
- Determine the correct procedure to attach the Driver/Left Front Bracket for your model/year:

Models without factory threaded inserts in body panel:

 - Partially thread an 8mm Hex Bolt into the threaded end of an 8mm Bolt/Nut Plate. Thread the Hex Bolt in until it is flush with the welded nut, **(Figures 3 & 4)**. Use the Hex Bolt as a handle and insert the Bolt/Nut Plate into the oval hole, **(Figure 5)**. Feed the threaded bolt on the Bolt/Nut Plate through one of the hex shaped factory holes. Thread (1) 8mm Plastic Retainer onto the threaded end and down tight against the rocker panel, **(Figure 6)**. **NOTE:** The Plastic Retainer is designed to keep the Bolt/Nut Plate from falling into the body panel and to aid in Bracket installation.

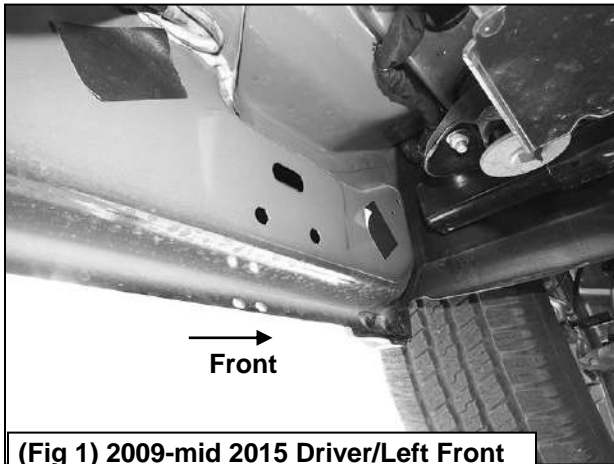
- b. Select (1) Driver/Left Mounting Bracket. Attach the bracket to the threaded end of the Bolt/Nut Plates on the Driver/Left Front mounting location with (1) 8mm Flat Washers, (1) 8mm Lock Washers and (1) 8mm Hex Nuts, **(Figure 7)**. Do not tighten at this time.
- c. Remove the 8mm Hex Bolt from the nut on the Bolt/Nut Plate from **Step 3a**. Rotate the Bolt on the Bolt/Nut Plate until the threaded nut lines up with the remaining hole in the Mounting Bracket and body panel. Attach the Bracket to the threaded Nut with (1) 8mm x 30mm Hex Bolt, (1) 8mm Lock Washer and (1) 8mm Flat Washer, **(Figure 8)**.

Models with factory threaded inserts:

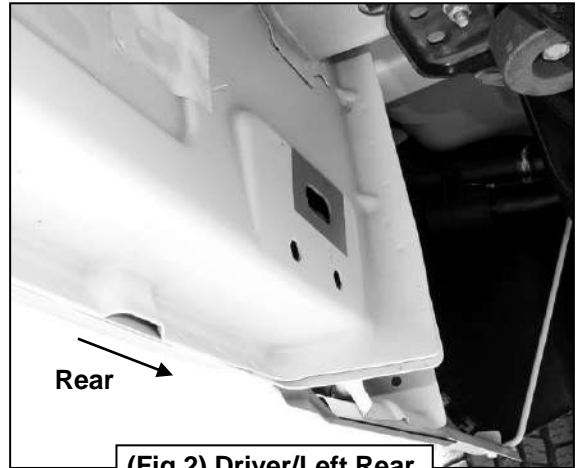
- d. Attach (1) Driver/Left Mounting Brackets to the threaded inserts with (2) 8mm x 30mm Hex Bolts, (2) 8mm Lock Washers and (2) 8mm Flat Washers, **(Figures 9 & 10)**. Do not tighten.
4. Select (1) Driver/Left Support Bracket. Attach Bracket to the back of the pinch weld. Line up the slots in the top of the Support Bracket with the (2) factory holes in the pinch weld. Attach the Bracket to the back of the pinch weld with (2) 6mm x 25mm Hex Bolts, (4) 6mm Flat Washers and (2) 6mm Nylon Lock Nuts, **(Figure 11)**. **IMPORTANT:** 2009-12 models may not be equipped with factory holes and will require drilling through the pinch weld to attach the Support Bracket. Do not drill through pinch weld at this time, **(see Step 9)**.
5. Attach the Support Bracket to the front facing side of the front Mounting Bracket with (1) 8mm x 30mm Hex Bolt, (2) 8mm Flat Washers and (1) 8mm Nylon Lock Nut, **(Figure 12)**. Do not tighten.
6. Repeat **Steps 2—5** to attach the Driver/Left Rear Mounting Bracket and (1) Driver/Left Rear Support Bracket to the rear rocker panel and the pinch weld, **(Figure 2)**.
7. Select the Driver/left Tube. Insert (2) 8mm Triangle Double Bolt Plates into the front (2) sets of (2) holes, **(Figure 13)**. Attach (1) Drop Step to the (2) Double Bolt Plates with (4) 8mm x 22mm Flat Washers and (4) 8mm Nylon Lock Nuts, **(Figure 14)**. Do not tighten hardware.
8. With assistance, line up the mounting tabs in the Driver/Left Tube to the rear faces of the Mounting Brackets. Secure the Tube to the Mounting Brackets with (4) 10mm Hex Bolts, (8) 10mm x 20mm Flat Washers and (4) 10mm Nylon Lock Nuts, **(Figure 15)**. Do not tighten hardware.
9. Level and adjust the Overland Step, then tighten all hardware.
10. **2009-12 models requiring drilling for driver side Support Brackets:**
 - a. Make sure the Overland Slider is level to the vehicle. Adjust and tighten all mounting hardware.
 - b. Line up the slots on the Support Brackets with the back of the pinch weld. Mark the location of the slots onto the pinch weld.
 - c. Drill (2) 1/4" holes through the pinch weld for each Support Bracket. **IMPORTANT:** Do not drill too close to the bottom edge of the pinch weld. Adjust the Brackets as necessary to move the slots up the body panel away from the edge. Drill the holes toward the outside of the marked slots.
 - d. Attach each Support Bracket to the pinch weld with (2) 6mm Hex Bolts, (4) 6mm Flat Washers and (2) 6mm Nylon Lock Nuts, **(Figure 11)**. Level and adjust then fully tighten all hardware.
11. Move to the Passenger/Right side of the vehicle. Remove tape covering front and rear locations. Repeat **Steps 2—10** for Passenger/Right side installation. **NOTE:** Refer to the illustration on **Page 1** to identify the correct Mounting Bracket for each location.
12. Do periodic inspections to the installation to make sure that all hardware is secure and tight.

To protect your investment, Do not use any type of polish or wax that may contain abrasives that could damage the finish. Mild soap may be used to clean the Overland Sliders.

Driver/Left Side Installation Pictured



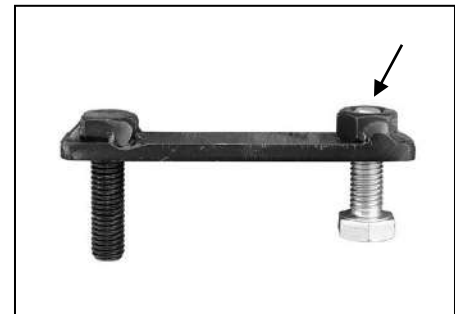
(Fig 1) 2009-mid 2015 Driver/Left Front mounting location (No factory holes in pinch weld 2009-2012 models)



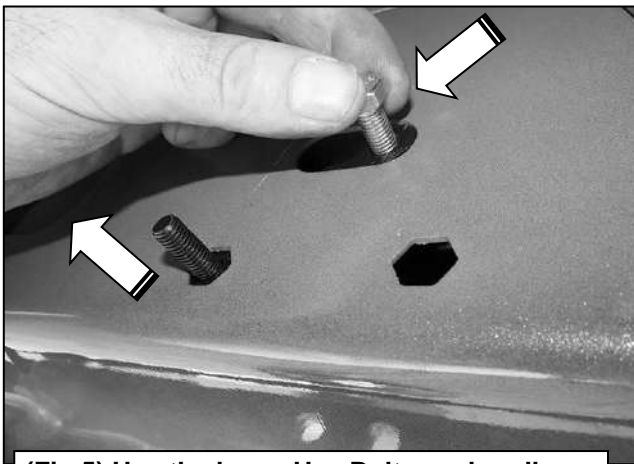
(Fig 2) Driver/Left Rear mounting location



(Fig 3) 8mm Bolt-8mm Nut Plate, NOTE: 8mm Bolt-Nut Plate is not required on models with threaded inserts

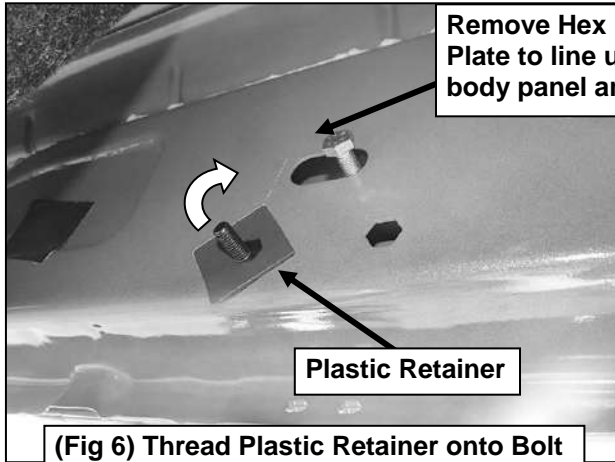


(Fig 4) Thread (1) 8mm Hex Bolt into the nut on the plate. Stop when bolt reaches end of nut as pictured

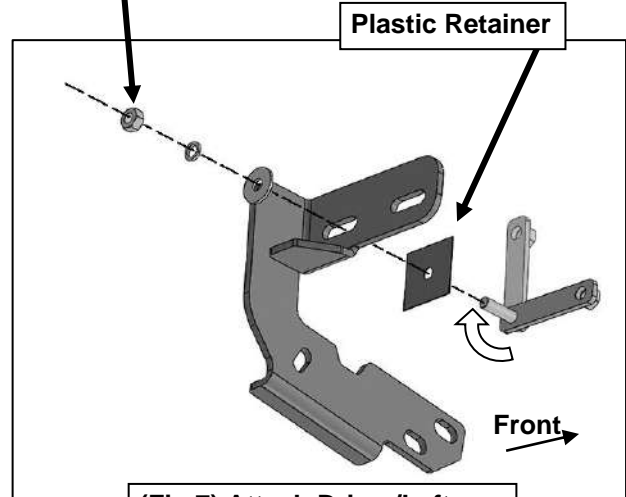


(Fig 5) Use the loose Hex Bolt as a handle. Insert the Bolt Plate into the oval hole and feed the threaded end out either factory hex shaped hole. IMPORTANT: Do not let go of the hex bolt until after Plastic Retainer has been threaded onto bolt Fig 6

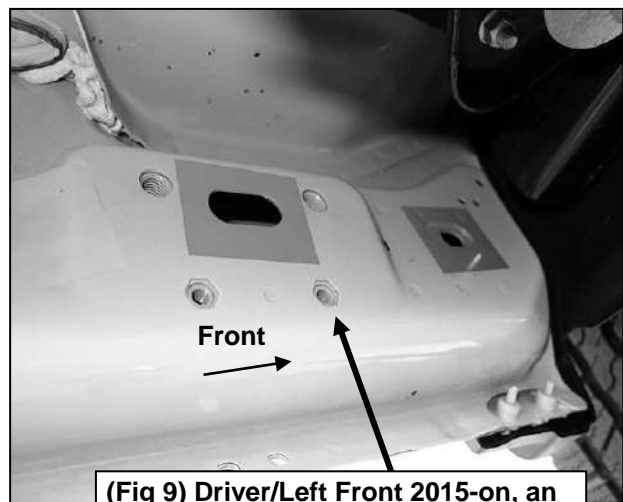
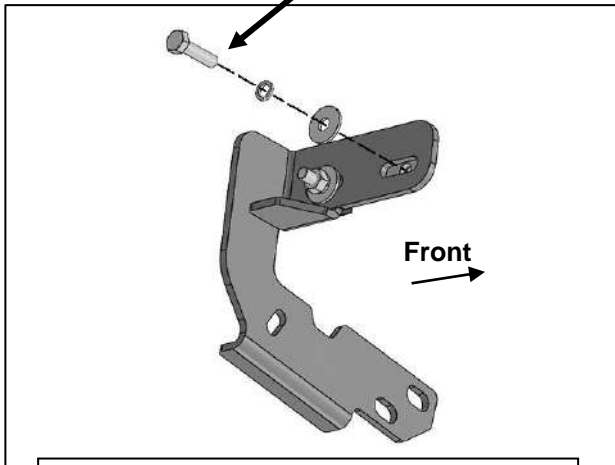
Driver/Left Side Installation Pictured



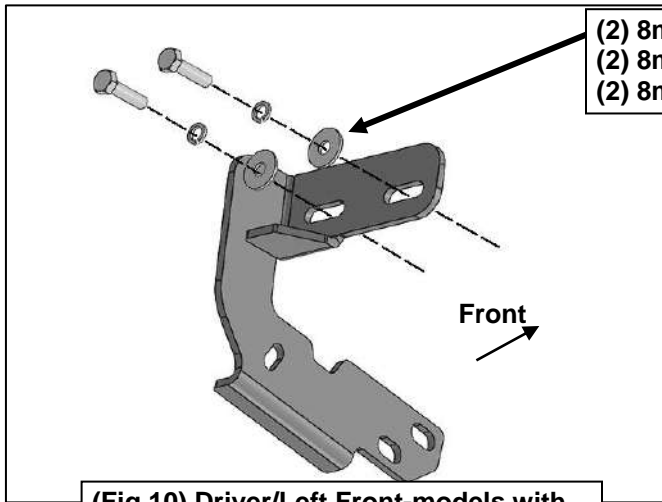
8mm Flat Washer
8mm Lock Washer
8mm Hex Nut



8mm Hex Bolt
8mm Lock Washer
8mm Flat Washer



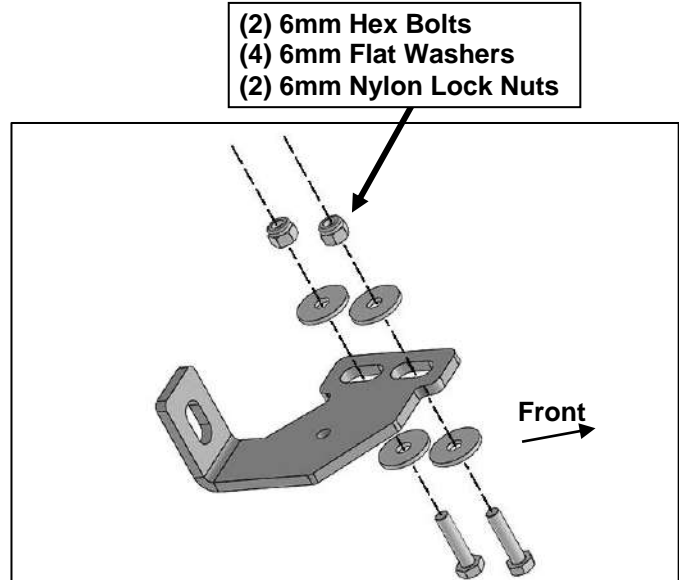
Driver/Left Side Installation Pictured



- (2) 8mm Hex Bolts
- (2) 8mm Lock Washers
- (2) 8mm Flat Washers

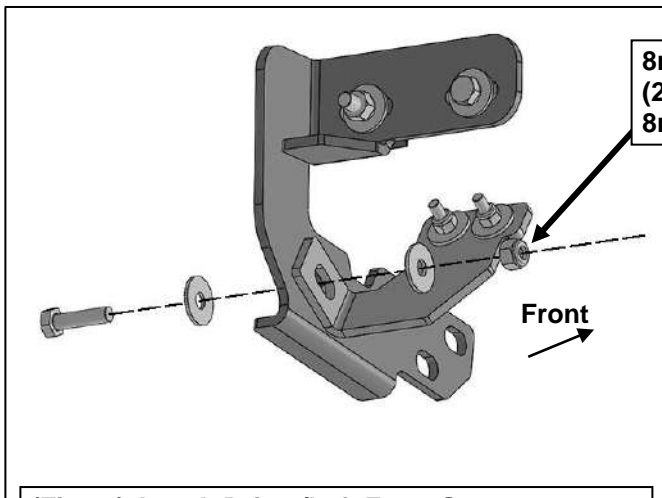
(Fig 10) Driver/Left Front-models with factory installed threaded inserts. Bolt Plate not required

IMPORTANT: 2009-2012 models without holes in pinch weld will require drilling 1/4" holes through pinch weld to attach driver side front support bracket. Do complete installation of sidebars first, level sidebar before drilling holes for support bracket.



- (2) 6mm Hex Bolts
- (4) 6mm Flat Washers
- (2) 6mm Nylon Lock Nuts

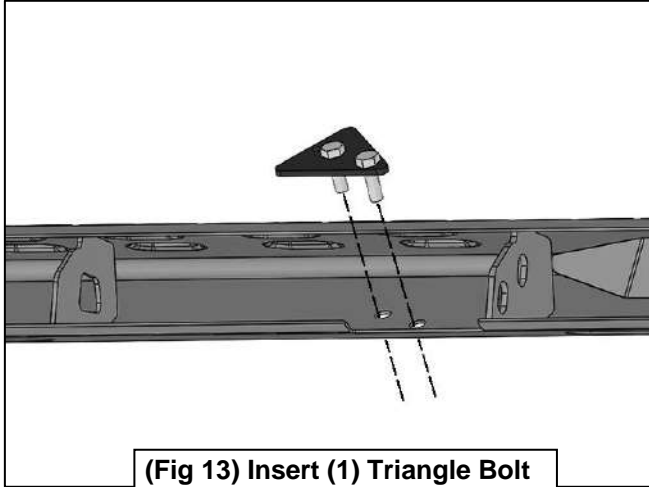
(Fig 11) Attach Support Bracket to back of pinch weld (models with factory holes in pinch weld only)



- 8mm Hex Bolt
- (2) 8mm Flat Washers
- 8mm Nylon Lock Nut

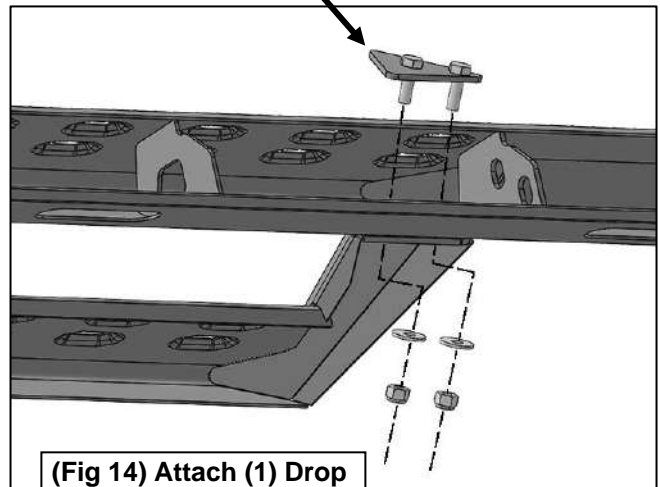
(Fig 12) Attach Driver/Left Front Support Bracket to front facing side of Mounting Bracket

Driver/Left Side Installation Pictured

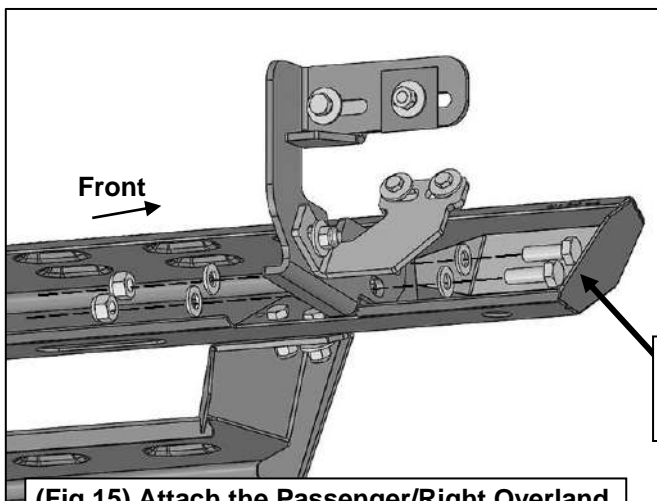


(Fig 13) Insert (1) Triangle Bolt Plate into the holes in the Tube

- 8mm Bolt Plate
- (2) 8mm Flat Washers
- (2) 8mm Nylon Lock Nuts



(Fig 14) Attach (1) Drop Step to (2) Bolt Plates



- (2) 10mm Hex Bolts
- (4) 10mm Flat Washers
- (2) 10mm Nylon Lock Nuts

(Fig 15) Attach the Passenger/Right Overland Step to the (2) Mounting Brackets