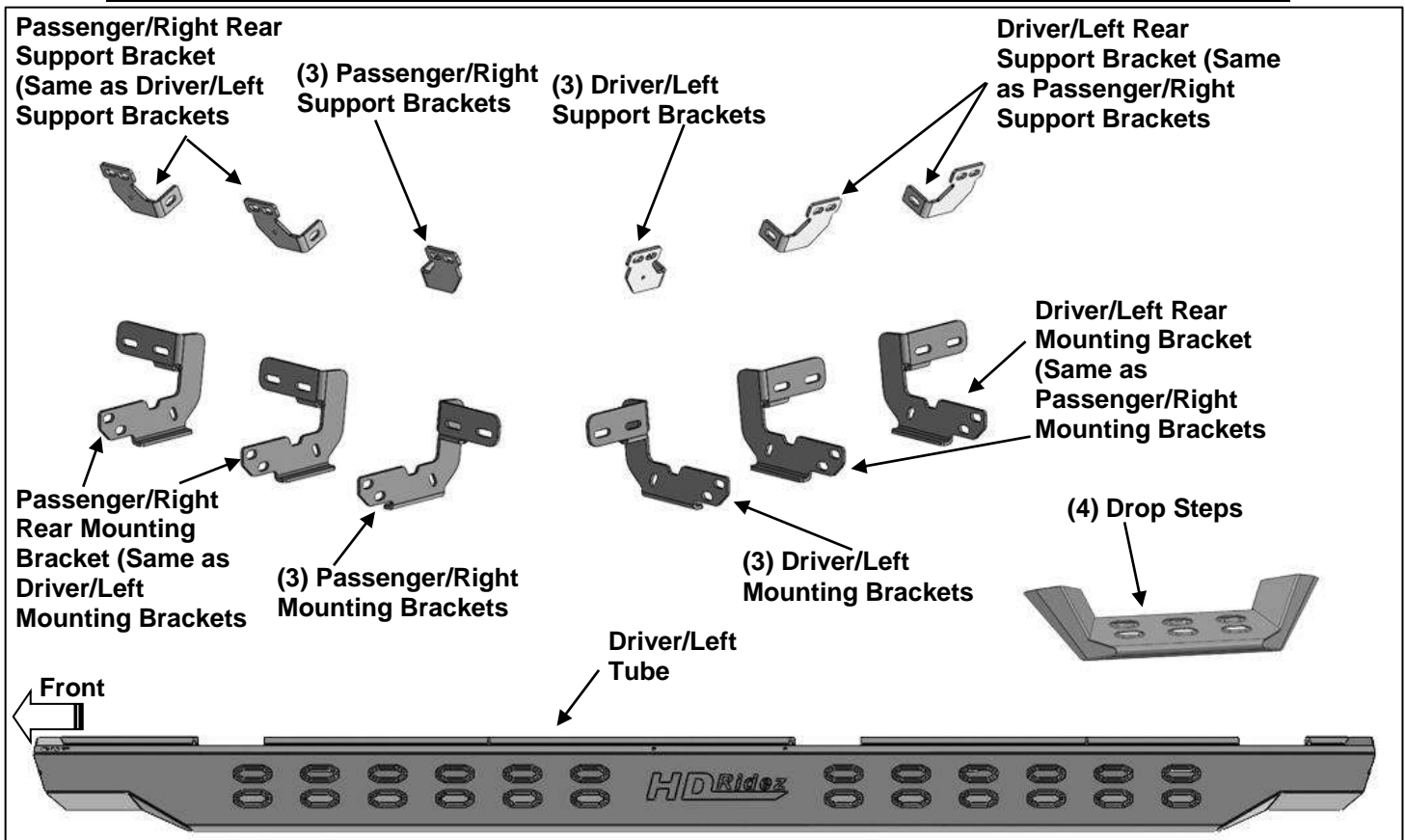


**PARTS LIST:**

1	Driver/Left Tube	6	8mm Bolt/Nut Plates
1	Passenger/Right Tube	18	8mm x 30mm Hex Bolts
4	Drop Steps	24	8mm x 24mm OD x 2mm Flat Washers
3	Driver Front/Passenger Rear Mounting Brackets	16	8mm x 22mm OD x 2mm Flat Washers
3	Passenger Front/Driver Rear Mounting Brackets	12	8mm Lock Washers
3	Driver Front/Passenger Rear Support Brackets	6	8mm Hex Nuts
3	Passenger Front/Driver Rear Support Brackets	22	8mm Nylon Lock Nuts
12	10mm x 30mm Hex Bolts	6	8mm Plastic Retainers
24	10mm x 20mm OD x 2mm Flat Washers	12	6mm x 25mm Hex Bolts
12	10mm Nylon Lock Nuts	24	6mm x 22mm OD x 2mm Flat Washers
8	8mm Triangle Double Bolt Plates	12	6mm Nylon Lock Nuts



**PROCEDURE: REMOVE CONTENTS FROM BOX. VERIFY ALL PARTS ARE PRESENT. READ INSTRUCTIONS CAREFULLY BEFORE STARTING INSTALLATION. DRILLING MAY BE REQUIRED.**

- Starting at the Driver/Left side-front of the vehicle, remove the sealing tape covering the factory holes in the side of the inner panel, **(Figure 1)**.
- Determine the correct procedure to attach the Driver/Left side front Bracket for your model/year:

**Models without factory threaded inserts in body panel:**

- Select (1) 8mm Bolt/nut Plate, **(Figure 2)**. Partially thread an 8mm Hex Bolt onto the threaded end of the Nut Plate, **(Figure 3)**. Thread the Hex Bolt in until it is flush with the welded nut. Use the Hex Bolt as a handle and insert the Bolt and Nut Plate into the oval hole, **(Figure 4)**. Feed the threaded bolt on the Bolt Plate through one of the hex shaped factory holes.
- Thread (1) 8mm Plastic Retainer onto the threaded end and down tight against the body panel, **(Figure 5)**. **NOTE:** The Plastic Retainer is designed to keep the Bolt/Nut Plate from falling into the body panel and to aid in Bracket installation.
- Select (1) Driver/Left Bracket, **(Figure 6)**. Attach the Bracket to the threaded end of the Bolt Plate with (1) 8mm Flat Washer, (1) 8mm Lock washer and (1) 8mm Hex Nut, **(Figure 6)**.

**IMPORTANT:** Driver/Left Front Brackets are the same as the Passenger/Right Rear Bracket.  
Do not tighten hardware.

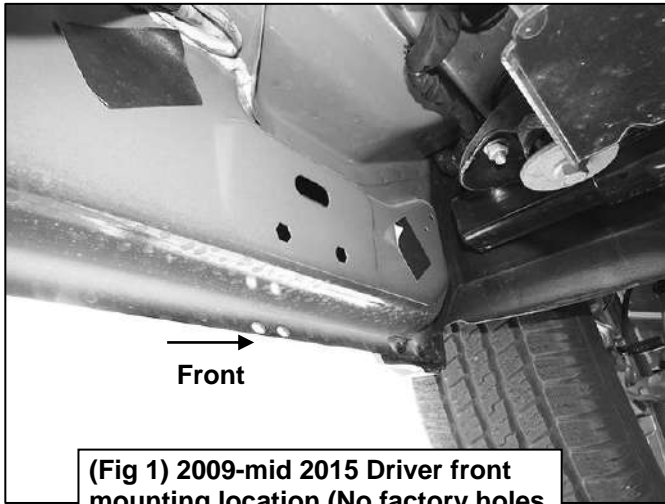
- d. Remove the 8mm Hex Bolt from the nut on the Bolt Plate from **Step 2a**. Rotate the Bolt on the Bolt Plate until the threaded nut lines up with the remaining hole in the Mounting Bracket and body panel, (**Figure 7**). Attach the Bracket to the threaded Nut Plate with (1) 8mm x 30mm Hex Bolt, (1) 8mm Lock Washer and (1) 8mm Flat Washer, (**Figure 7**). Do not tighten hardware.

**Models with factory threaded inserts:**

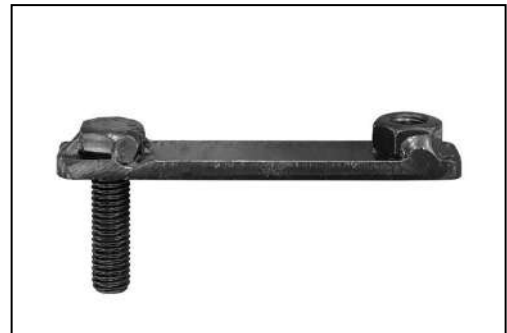
- a. Attach the Driver/Left Mounting Bracket to the threaded inserts with (2) 8mm x 30mm Hex Bolts, (2) 8mm Lock Washers and (2) 8mm Flat Washer, (**Figures 8 & 9**). Do not tighten hardware.
3. Select (1) Driver/Left Support Bracket. Attach the Bracket to the back of the pinch weld with (2) 6mm Hex Bolts, (4) 6mm Flat Washers and (2) 6mm Flange Nuts, (**Figure 10**). Do not tighten hardware. Attach the Support Bracket to the Mounting Bracket with (1) 8mm Hex Bolt, (2) 8mm Flat Washers and (1) 8mm Nylon Lock Nut, (**Figure 11**). **IMPORTANT:** 2009-12 models not equipped with factory holes will require drilling through the pinch weld to fully attach Bracket. Do not drill through pinch weld at this time, (**see Step 7**).
4. Move along the side of the body panel to the center mounting location, (**Figure 12**). Repeat **Steps 1—3** to install (1) Passenger/Right Mounting Bracket and (1) Passenger/Right Support Bracket to the Driver/Left center mounting location.
5. Move to the rear location, (**Figure 13**). Repeat **Steps 1—3** to attach (1) Passenger/Right Mounting Bracket and (1) Passenger/Right Support Bracket to the Driver/Left rear mounting location.
6. Select the Driver/Left Tube. Insert (2) 8mm Double Bolt Plates into the front (2) sets of (2) holes, (**Figure 14**). Attach (1) Drop Step to the (2) Double Bolt Plates with (4) 8mm x 22mm Flat Washers and (4) 8mm Nylon Lock Nuts, (**Figure 15**). Do not tighten hardware.
7. With assistance, line up the mounting tabs in the Driver/Left Tube to the rear faces of the Mounting Brackets. Secure the Tube to the Mounting Brackets with (6) 10mm Hex Bolts, (12) 10mm Flat Washers and (6) 10mm Nylon Lock Nuts, (**Figure 16**). Do not tighten hardware.
8. Properly level and adjust the Overland Slider and fully tighten all hardware.  
**2009-12 models requiring drilling through pinch trim:**
  - a. Level the Overland Slider to the vehicle. Make sure all (3) Brackets are tight against the bottom of the body panel and tighten all mounting hardware.
  - b. Mark the location of the slots onto the pinch weld.
  - c. Drill (2) 1/4" holes through the pinch weld for each Bracket. **IMPORTANT:** Do not drill too close to the bottom edge of the pinch weld. Drill the holes in the center of the marked slots.
  - d. Repeat **Step 3** to attach the Brackets to the drilled holes in the pinch weld. Check for level then fully tighten all hardware.
9. Repeat **Steps 1—8** to attach the Passenger/Right Overland Slider.
10. Do periodic inspections to the installation to make sure that all hardware is secure and tight.

**To protect your investment,** Do not use any type of polish or wax that may contain abrasives that could damage the finish. Mild soap may be used to clean the Overland Sliders.

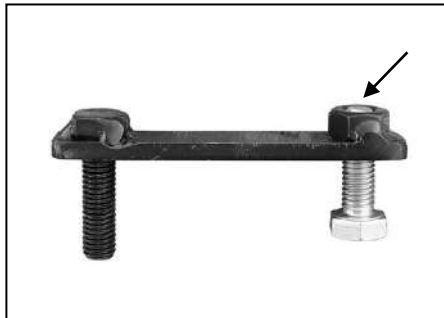
**Driver/Left Side Installation Pictured**



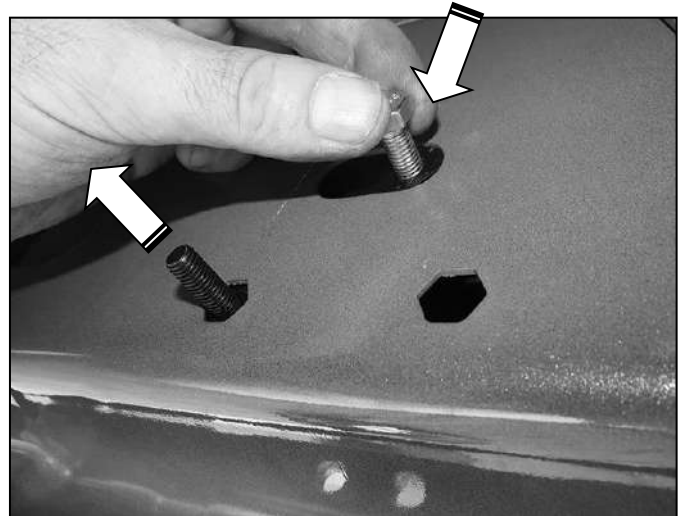
**(Fig 1) 2009-mid 2015 Driver front mounting location (No factory holes in pinch weld 2009-2012 models)**



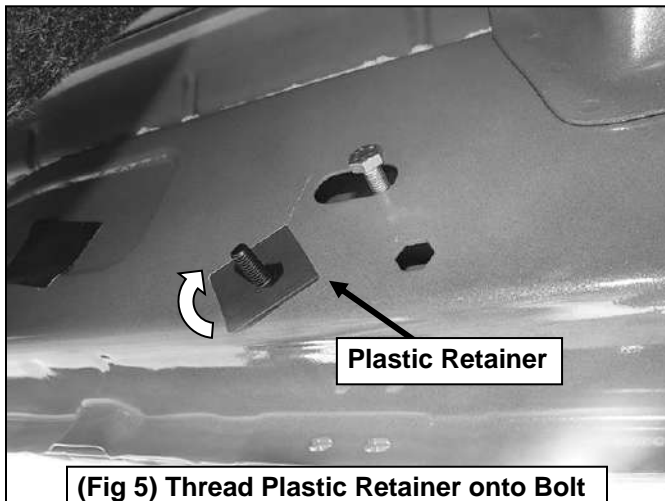
**(Fig 2) 8mm Bolt-8mm Nut Plate, NOTE: 8mm Bolt-Nut Plate is not required on models with threaded inserts**



**(Fig 3) Thread (1) 8mm Hex Bolt into the nut on the plate. Stop when bolt reaches end of nut as pictured**

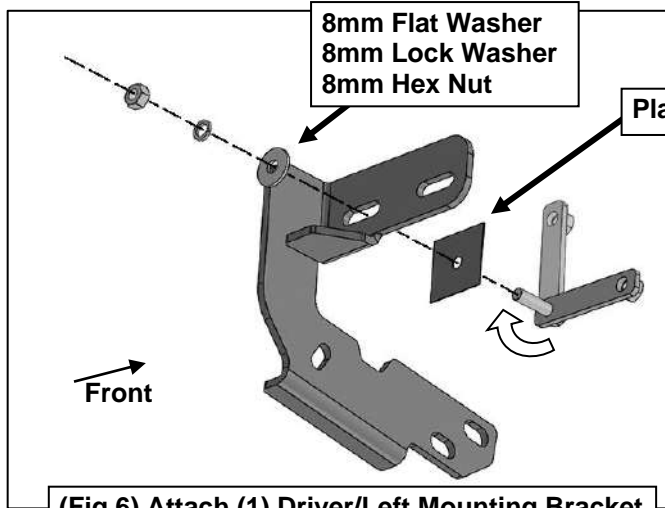


**(Fig 4) Use the loose Hex Bolt as a handle. Insert the Bolt Plate into the oval hole and feed the threaded end out either factory hex shaped hole. IMPORTANT: Do not let go of the hex bolt until after Plastic Retainer has been threaded onto bolt (Fig 5)**

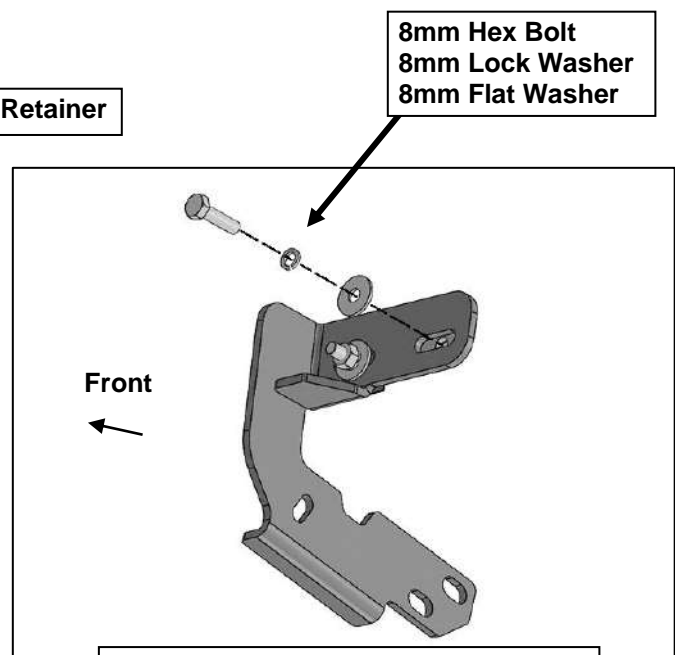


**(Fig 5) Thread Plastic Retainer onto Bolt Plate to hold Bolt Plate in position.**

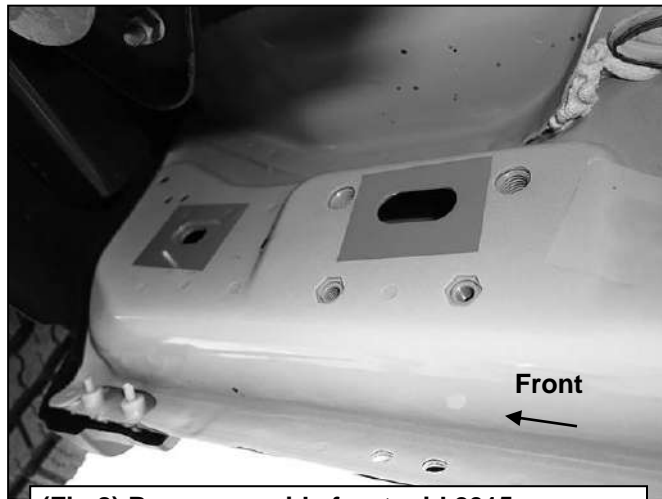
**Driver/Left Side Installation Pictured**



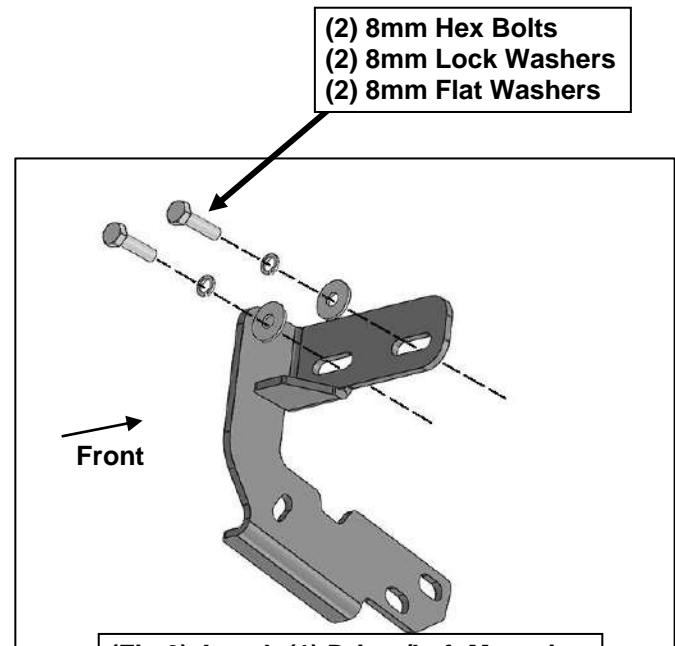
**(Fig 6) Attach (1) Driver/Left Mounting Bracket to the threaded bolt on the Bolt/Nut Plate**



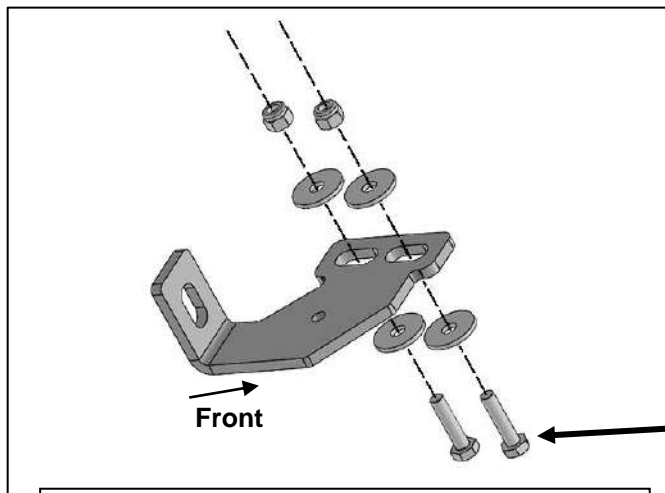
**(Fig 7) Attach Bracket to the threaded hole in the Bolt/Nut Plate**



**(Fig 8) Passenger side front mid 2015-on, models with factory installed threaded inserts**

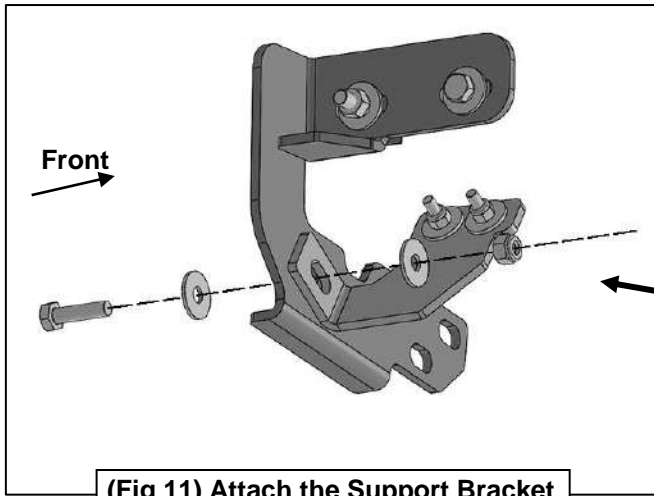


**(Fig 9) Attach (1) Driver/Left Mounting Bracket to the threaded inserts**



**(Fig 10) Attach Bracket to back of pinch weld (models with factory holes in pinch weld only)**

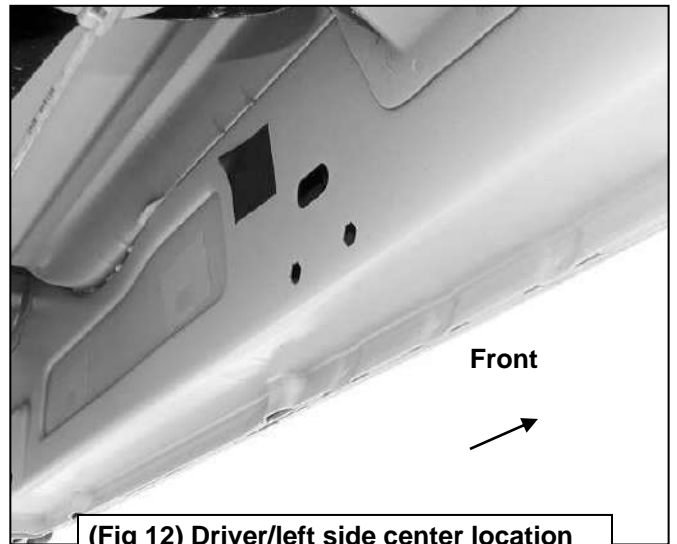
### Driver/Left Side Installation Pictured



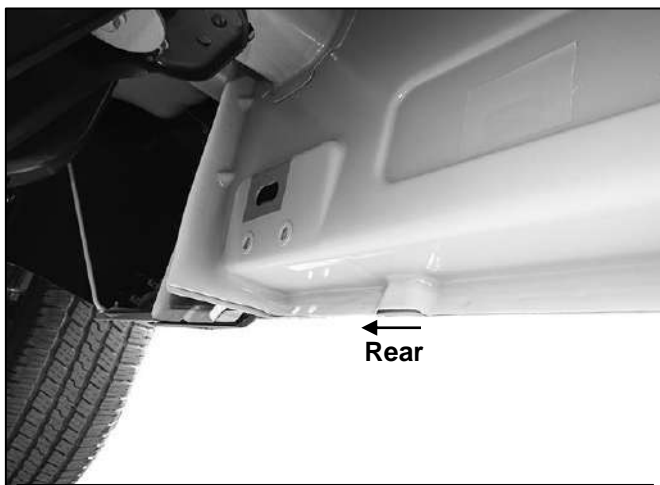
**IMPORTANT: 2009-2012 models without holes in pinch weld will require drilling 1/4" holes through pinch weld to attach bracket. Do complete installation of sidebars first, level sidebar before drilling holes for bracket.**

8mm Hex Bolt  
(2) 8mm Flat Washers  
8mm Nylon Lock Nut

**(Fig 11) Attach the Support Bracket to the Front Mounting Bracket**

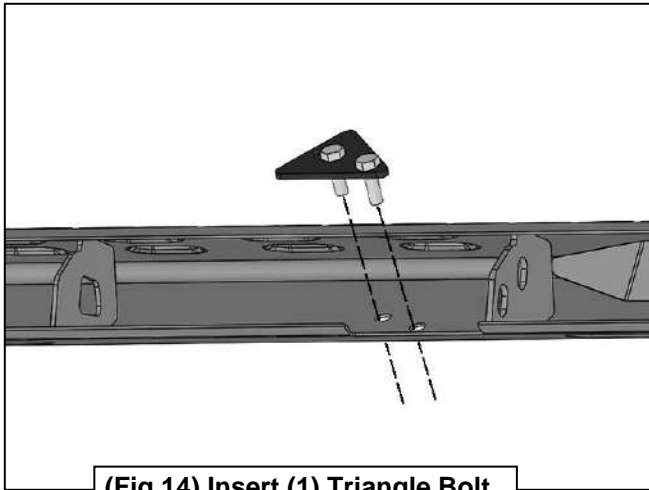


**(Fig 12) Driver/left side center location**



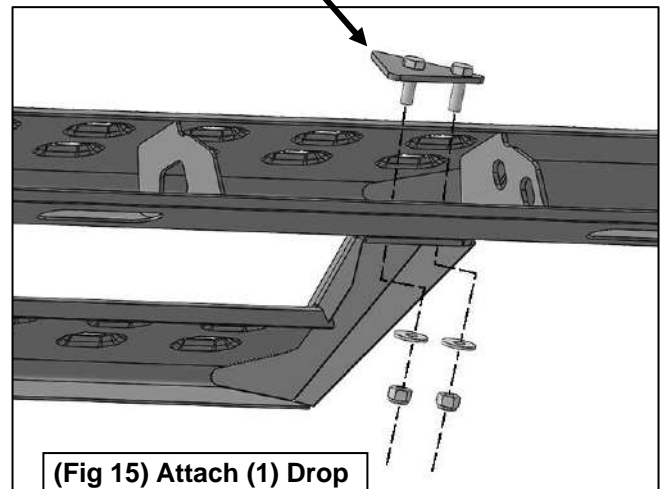
**(Fig 13) Passenger/Right rear mounting location**

**Driver/Left Side Installation Pictured**

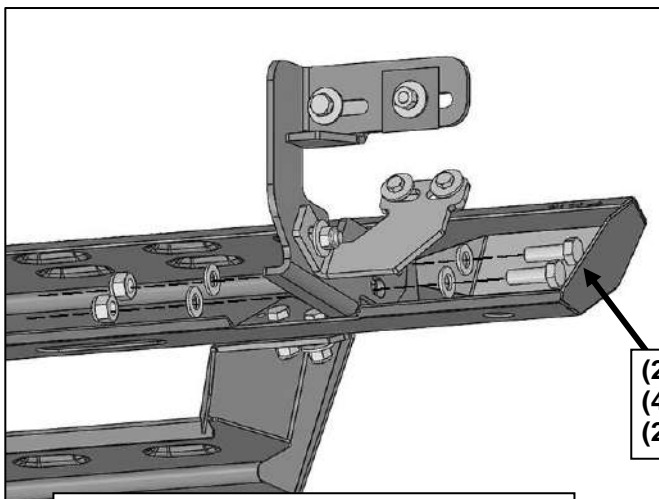


**(Fig 14) Insert (1) Triangle Bolt Plate into the holes in the Tube**

- 8mm Bolt Plate
- (2) 8mm Flat Washers
- (2) 8mm Nylon Lock Nuts



**(Fig 15) Attach (1) Drop Step to (2) Bolt Plates**



**(Fig 16) Attach the Driver/Left Overland Slider to the (3) Mounting Brackets**

- (2) 10mm Hex Bolts
- (4) 10mm Flat Washers
- (2) 10mm Nylon Lock Nuts