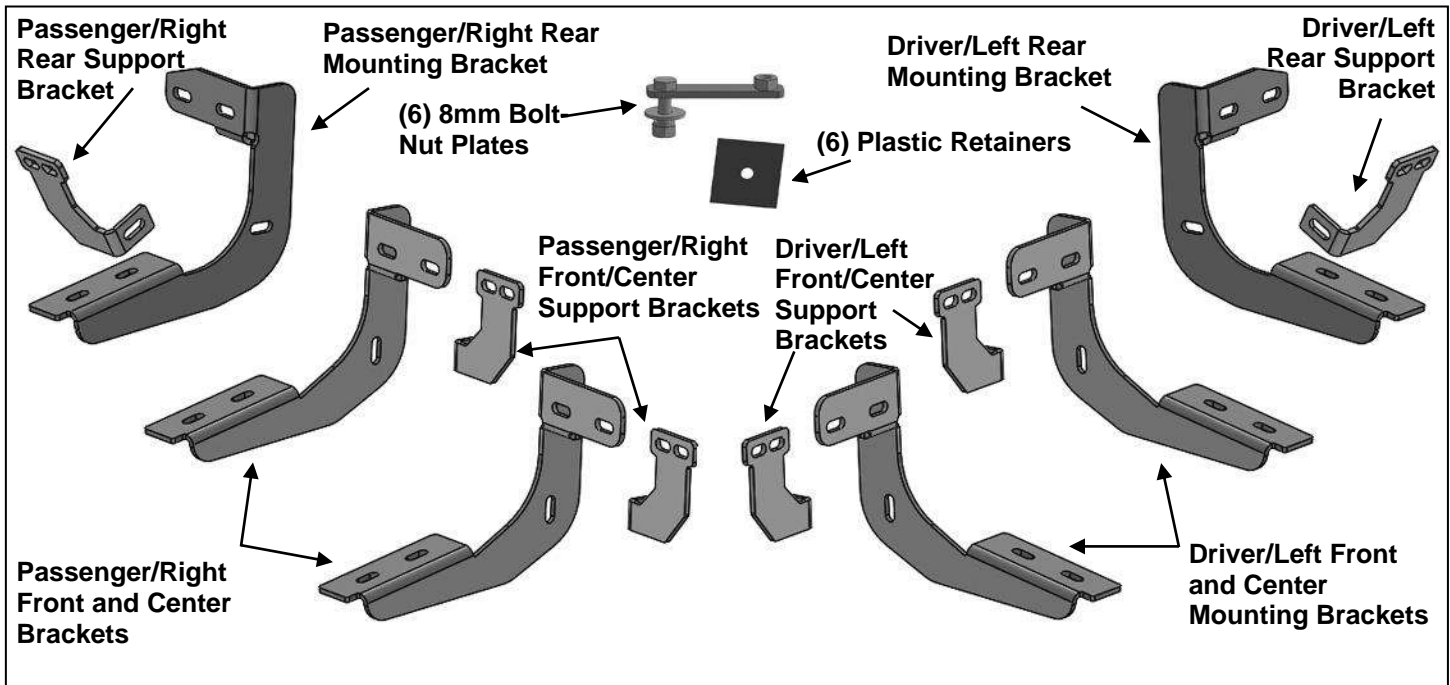


**PARTS LIST:**

1	Driver/left side 76" Running Board	6	8mm Plastic Retainers
1	Passenger/right side 76" Running Board	18	8-1.25mm x 30mm Hex Bolts
2	Driver/left Front and Center Mounting Brackets	36	8mm x 24mm x 2mm Flat Washers
2	Passenger/right Front and Center Mounting Brackets	12	8mm Lock Washers
1	Driver/left Rear Mounting Bracket	6	8mm Hex Nuts
1	Passenger/right Rear Mounting Bracket	18	8mm Nylon Lock Nuts
3	Support Brackets (DS Front/Center & PS Rear)	12	6-1.0mm x 25mm Hex Bolts
3	Support Brackets (PS Front/Center & DS Rear)	24	6mm x 22mm x 2mm Flat Washers
6	8mm Double Bolt Plates	12	6-1.0mm Nylon Lock Nuts
6	8mm Bolt-Nut Plates		



**PROCEDURE:**

1. REMOVE CONTENTS FROM BOX. VERIFY ALL PARTS ARE PRESENT. READ INSTRUCTIONS CAREFULLY BEFORE STARTING INSTALLATION. DRILLING MAY BE REQUIRED.
2. Starting at the passenger side-front of the vehicle, remove the sealing tape covering the factory holes in the side of the inner panel, **(Figure 1)**.
3. Determine the correct procedure to attach the passenger side front Bracket for your model/year:
 

**Models without factory threaded inserts in body panel:**

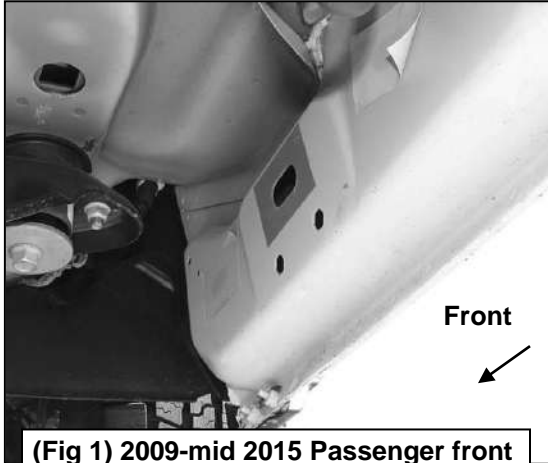
  - a. Partially thread (1) 8mm Hex Bolt into the threaded end of an 8mm Bolt-Nut Plate, **(Figure 2)**. Thread the Hex Bolt in until it is flush with the welded nut, **(Figure 3)**. Use the Hex Bolt as a handle and insert the Bolt- Nut Plate into the oval hole, **(Figure 4)**. Feed the threaded bolt on the Plate through one of the hex shaped factory holes. Thread (1) 8mm Plastic Retainer onto the threaded end and down tight against the body panel, **(Figure 5)**. **NOTE:** The Plastic Retainer is designed to keep the Bolt-Nut Plate from falling into the body panel and to aid in Bracket installation.
  - b. Select the passenger side front Mounting Bracket, **(Figure 6)**. Attach the Bracket to the threaded end of the Bolt-Nut Plate with (1) 8mm Flat Washer, (1) 8mm Lock Washer and (1) 8mm Hex Nut, **(Figure 7A)**. Do not tighten at this time.
  - c. Remove the 8mm Hex Bolt from the nut on the Bolt-Nut Plate from **Step 3a**. Rotate the Bolt on the Bolt Plate until the threaded nut lines up with the remaining hole in the Mounting Bracket and body panel, **(Figure 7B)**. Attach the Bracket to the threaded nut on the Plate with (1) 8mm x 30mm Hex Bolt, (1) 8mm Lock Washer and (1) 8mm Flat Washer. Do not tighten hardware at this time.

**Models with factory threaded inserts:**

- a. Attach the passenger side Front Bracket to the threaded inserts with (2) 8mm x 30mm Hex Bolts, (2) 8mm Lock Washers and (2) 8mm Flat Washer, **(Figures 8 & 9)**. Leave hardware loose.
4. Next, select the passenger side front Support Bracket. Attach the Bracket to the front facing side of the front Bracket with (1) 8mm x 30mm Hex Bolt, (2) 8mm Flat Washers and (1) 8mm Nylon Lock Nut, **(Figure 10)**. Rotate the Support Bracket to the back of the pinch weld. Line up the slots in the top of the Support Bracket with the (2) factory holes in the pinch weld. Attach the Bracket to the back of the pinch weld with (2) 6mm x 25mm Hex Bolts, (4) 6mm Flat Washers and (2) 6mm Nylon Lock Nuts, **(Figures 11 & 12)**. Do not fully tighten hardware at this time. **IMPORTANT:** Some **2009-12** models are not equipped with factory holes and will require drilling through the pinch weld to attach the Support Bracket. Do not drill through pinch weld at this time, **(see Step 8)**.
5. Move along the side of the body panel to the center mounting location, **(Figure 13)**. Repeat the appropriate **Step 3** to install the passenger side center Bracket. Select (1) passenger side front/center Support Bracket. Repeat **Step 4** to attach the Support Bracket to the front facing side of the center bracket and factory holes (if equipped) in the pinch weld, **(Figure 14)**.
6. Move to the rear location, **(Figure 15)**. Repeat **Step 3** to install the rear Mounting Bracket, **(Figure 16)**. Select the passenger side rear Support Bracket. Repeat **Step 4** to attach the Support Bracket to the rear facing side of the rear Bracket and factory holes (if equipped) in the pinch weld, **(Figure 17)**. **IMPORTANT:** The rear bracket is different from the front/center Brackets, (see illustration above-note direction of mounting plate).
7. Once all Brackets have been installed, select the passenger/right side Running Board. **NOTE:** The front stepping pad is farther away from the front end of the Passenger/right side Running Board. Select (3) 8mm Double Bolt Plates, **(Figure 18)**. Insert the Bolt Plates into the channel on the bottom of the Running Board closest to the Brackets, **(Figure 19)**.
8. With assistance, carefully position the Running Board onto the (3) Mounting Brackets. Lift the Running Board up and slide the Double Bolt Plates along the channel to line up with the Brackets. **IMPORTANT:** Do not slide the Running Board on the Brackets, (front to back or rotate), or the finish on the Running Board may be damaged.
9. Attach the Passenger side Running Board to the Mounting Brackets using (6) 8mm Flat Washers and (6) 8mm Nylon Lock Nuts, **(Figures 20—23)**. Do not tighten hardware.
10. Properly level and adjust the Running Board and fully tighten all hardware.  
**2009-12 models requiring drilling for Support Brackets:**
  - a. Make sure the Running Board is level to the vehicle. Adjust and tighten all mounting hardware.
  - b. Line up the slots on the Support Brackets with the back of the pinch weld. Mark the location of the slots onto the pinch weld.
  - c. Drill (2) 1/4" holes through the pinch weld for each Support Bracket. **IMPORTANT:** Do not drill too close to the bottom edge of the pinch weld. Adjust the Brackets as necessary to move the slots up the body panel away from the edge. Drill the holes toward the outside of the marked slots.
  - d. Attach each Support Bracket to the pinch weld with (2) 6mm Hex Bolts, (4) 6mm Flat Washers and (2) 6mm Nylon Lock Nuts, **(Figure 11)**. Check for level then fully tighten all hardware.
11. Move to the passenger side of the vehicle. Remove tape covering front, center and rear locations. Repeat **Steps 2—10** for driver side Running Board installation. **NOTE:** Refer to the illustration on **Page 1** to identify the correct Mounting Bracket for each of the remaining locations.
12. Do periodic inspections to the installation to make sure that all hardware is secure and tight.

**To protect your investment**, wax this product after installing. Regular waxing is recommended to add a protective layer over the finish. Do not use any type of polish or wax that may contain abrasives that could damage the finish. Mild soap may be used to clean the Running Boards.

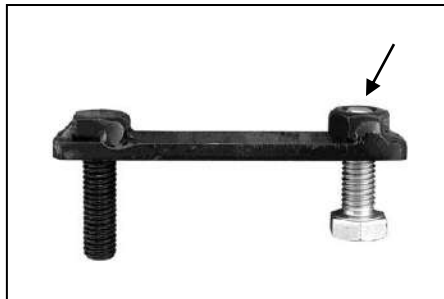
### Passenger Side Installation Pictured



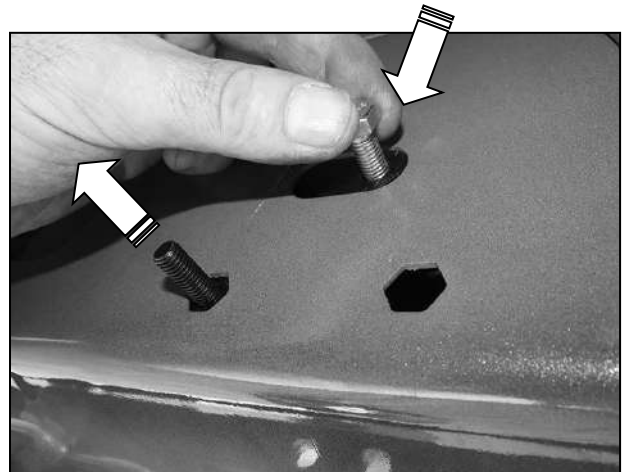
(Fig 1) 2009-mid 2015 Passenger front mounting location (No factory holes in pinch weld 2009-2012 models)



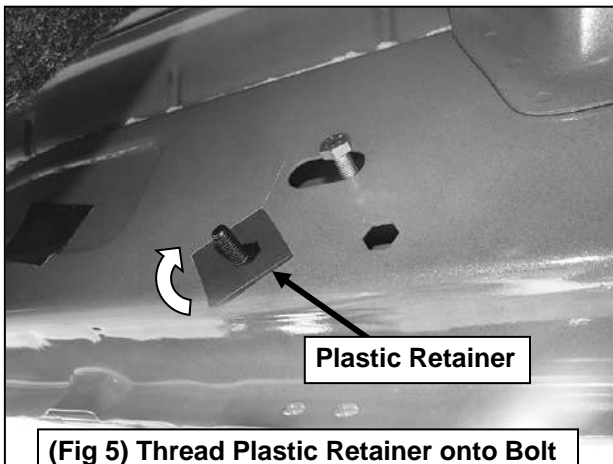
(Fig 2) 8mm Bolt-8mm Nut Plate, NOTE: 8mm Bolt-Nut Plate is not required on models with threaded inserts



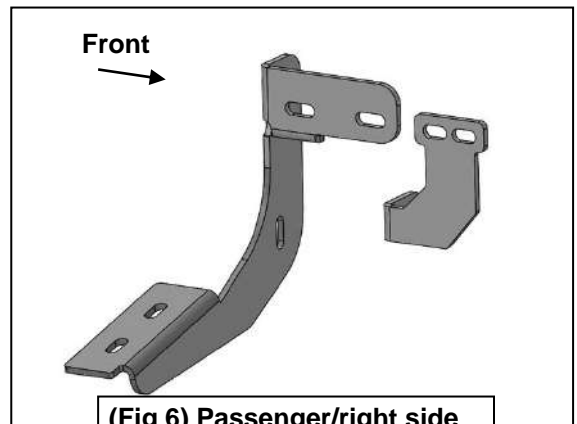
(Fig 3) Thread (1) 8mm Hex Bolt into the nut on the plate. Stop when bolt reaches end of nut as pictured



(Fig 4) Use the loose Hex Bolt as a handle. Insert the Bolt Plate into the oval hole and feed the threaded end out either factory hex shaped hole. IMPORTANT: Do not let go of the hex bolt until after Plastic Retainer has been threaded onto bolt (Fig 5)



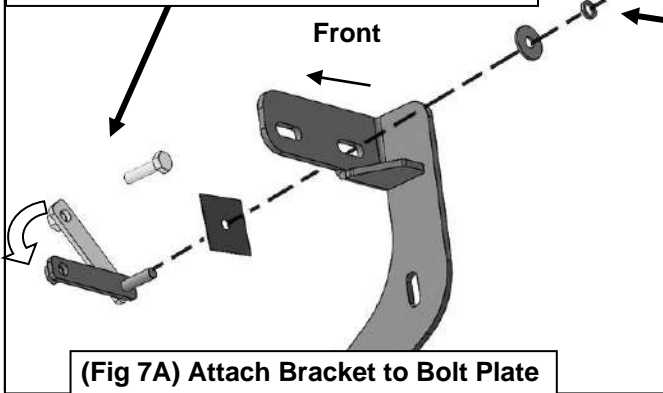
(Fig 5) Thread Plastic Retainer onto Bolt Plate to hold Bolt Plate in position.



(Fig 6) Passenger/right side front & center Brackets

**Passenger Side Installation Pictured**

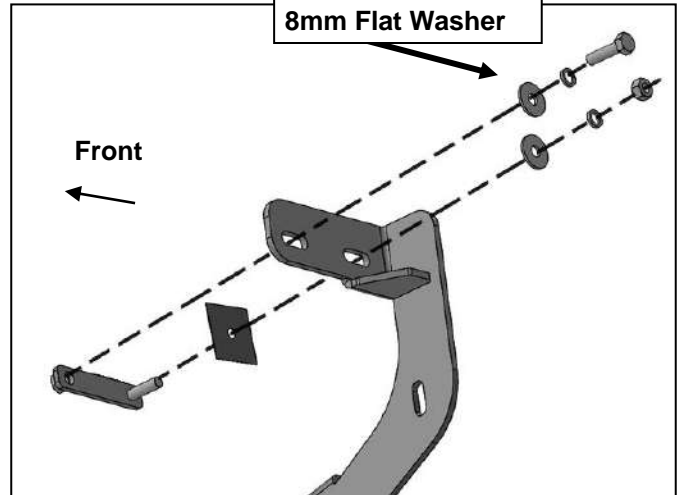
Remove Hex Bolt, rotate Bolt/Nut Plate to line up threaded nut with body panel and Mounting Bracket (see arrow)



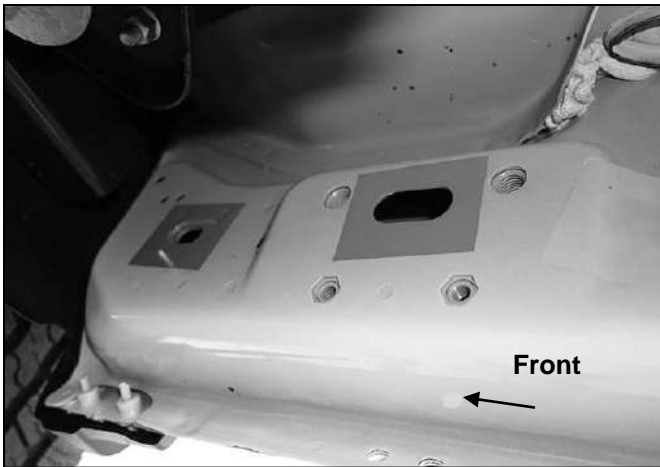
**(Fig 7A) Attach Bracket to Bolt Plate**

8mm Flat Washer  
 8mm Lock Washer  
 8mm Hex Nut

8mm Hex Bolt  
 8mm Lock Washer  
 8mm Flat Washer

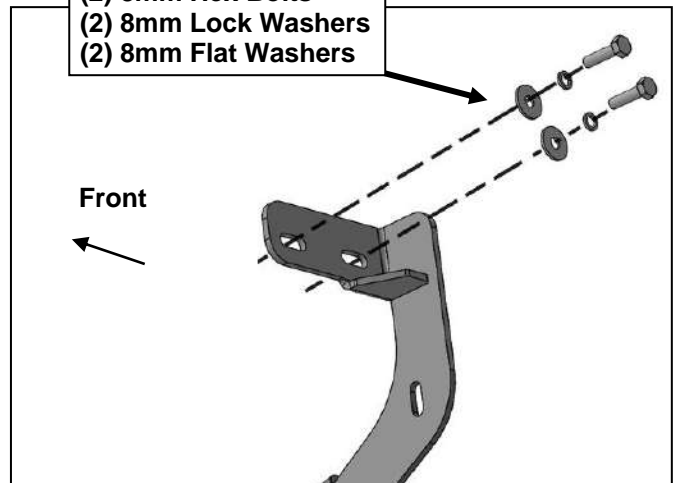


**(Fig 7B) Attach Bracket to threaded end of Bolt Plate first. Remove 8mm Hex Bolt (see Fig 3). Rotate Bolt Plate to line up with remaining factory hex shaped hole.**

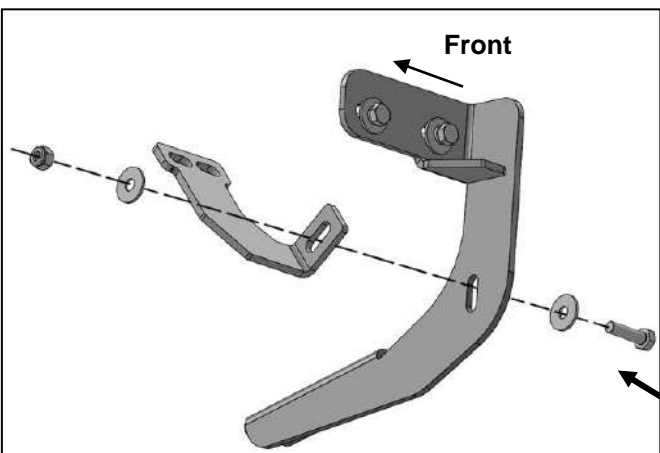


**(Fig 8) Passenger side front mid 2015-on, models with factory installed threaded inserts**

(2) 8mm Hex Bolts  
 (2) 8mm Lock Washers  
 (2) 8mm Flat Washers



**(Fig 9) Passenger side front models with factory installed threaded inserts. Bolt Plate not required**

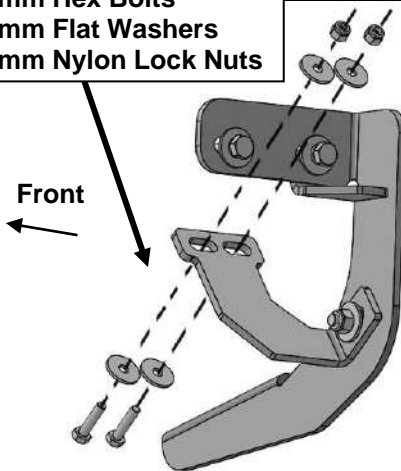


**(Fig 10) Attach Passenger/right front Support Bracket to front facing side of Mounting Bracket**

8mm Hex Bolt  
 (2) 8mm Flat Washers  
 8mm Nylon Lock Nut

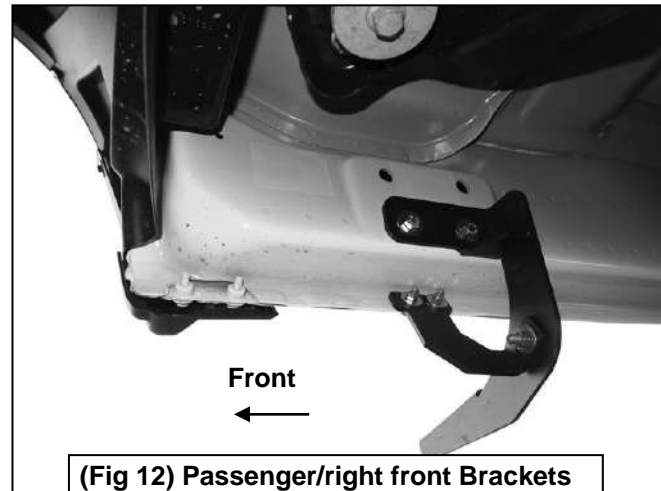
### Passenger Side Installation Pictured

- (2) 6mm Hex Bolts
- (4) 6mm Flat Washers
- (2) 6mm Nylon Lock Nuts

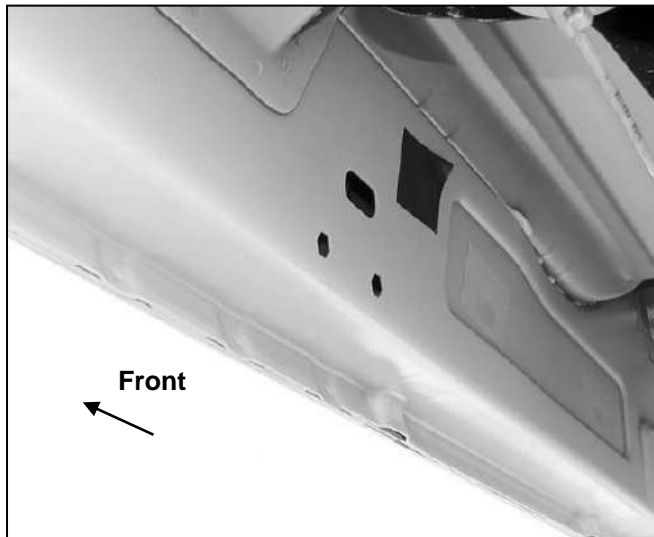


**IMPORTANT:** 2009-2012 models without holes in pinch weld will require drilling 1/4" holes through pinch weld to attach Support Brackets. Do complete installation of Running Boards first and level Running Boards before drilling holes for Support Brackets.

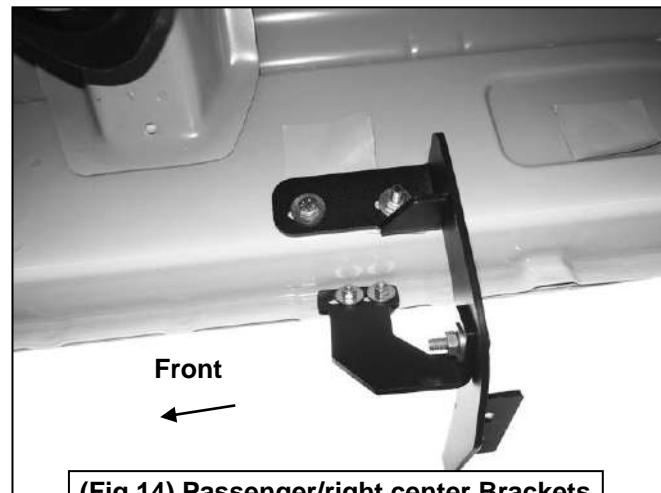
(Fig 11) Attach Support Bracket to back of pinch weld (models with factory holes in pinch weld only)



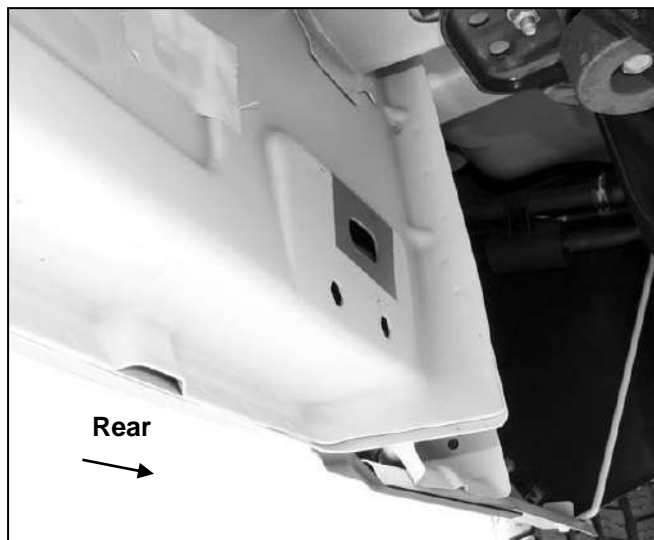
(Fig 12) Passenger/right front Brackets attached to body panel and pinch weld



(Fig 13) Passenger/right center mounting location

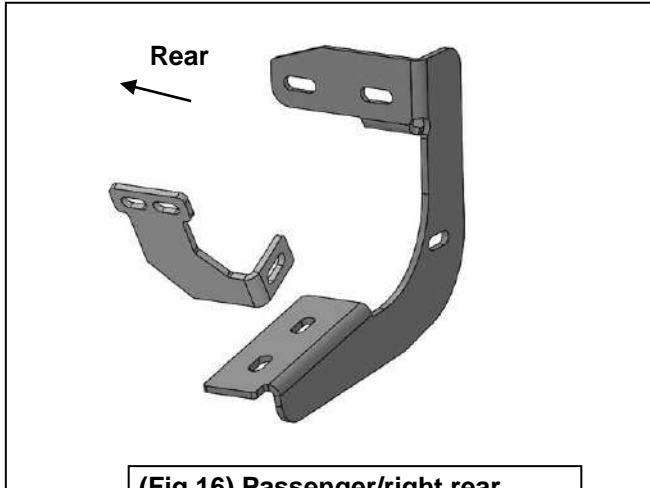


(Fig 14) Passenger/right center Brackets attached to body panel and pinch weld

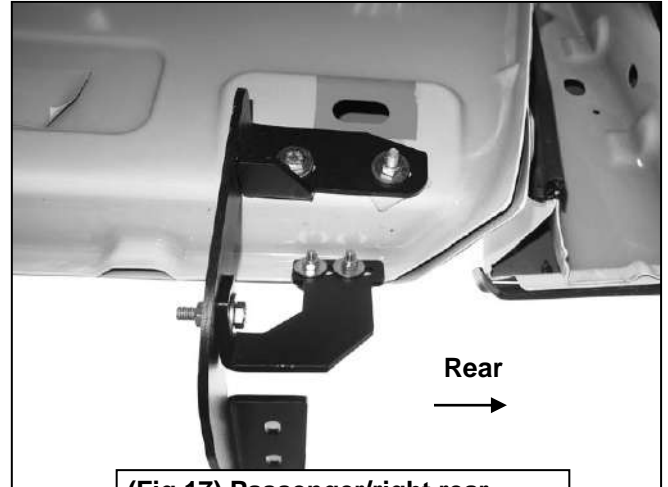


(Fig 15) Passenger/right rear mounting location

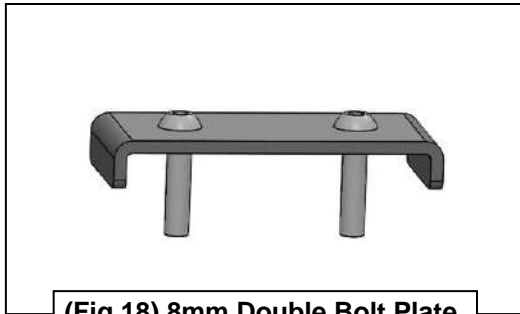
### Passenger Side Installation Pictured



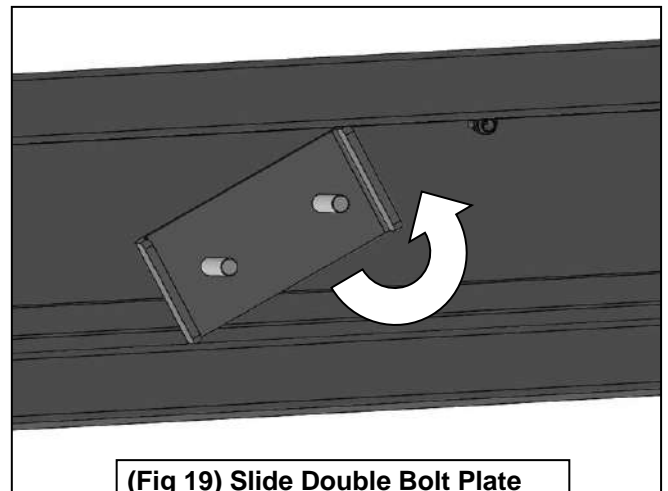
(Fig 16) Passenger/right rear Mounting and Support Brackets



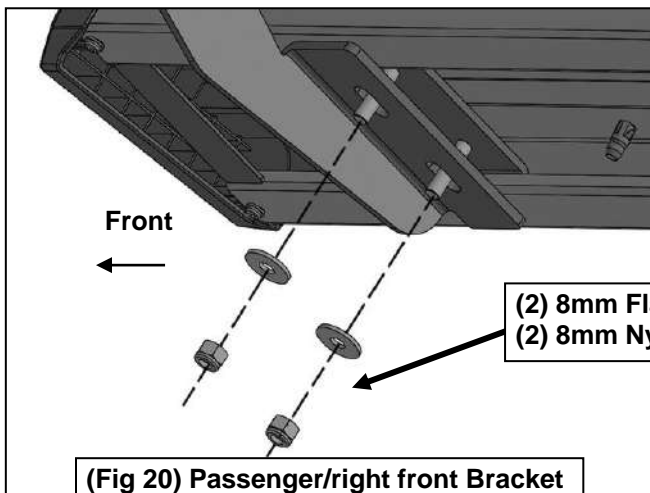
(Fig 17) Passenger/right rear Mounting and Support Brackets



(Fig 18) 8mm Double Bolt Plate

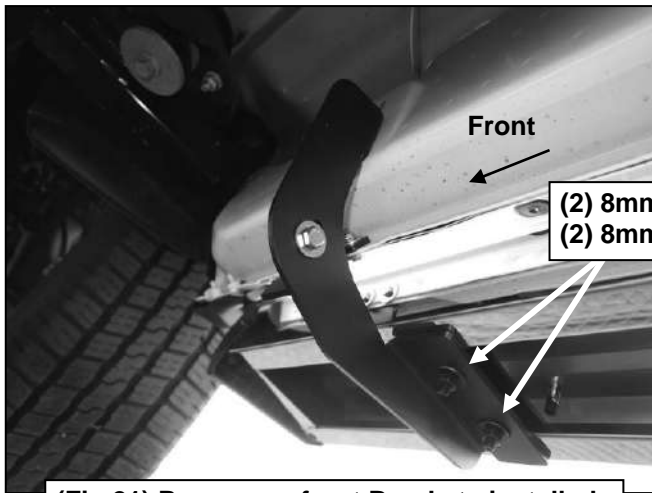


(Fig 19) Slide Double Bolt Plate into channel

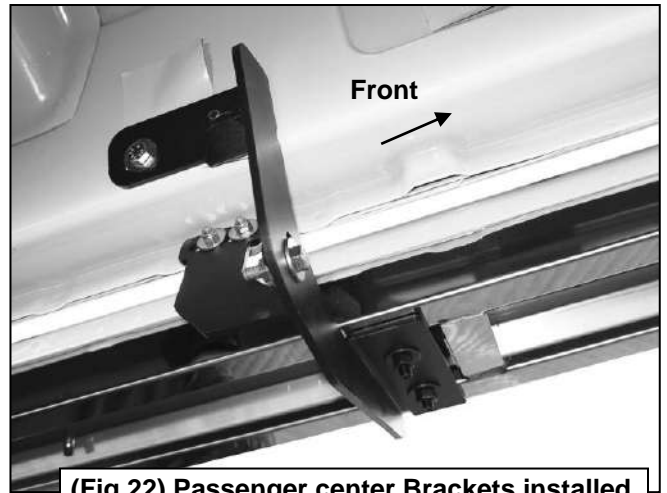


(Fig 20) Passenger/right front Bracket attached to the Running Board

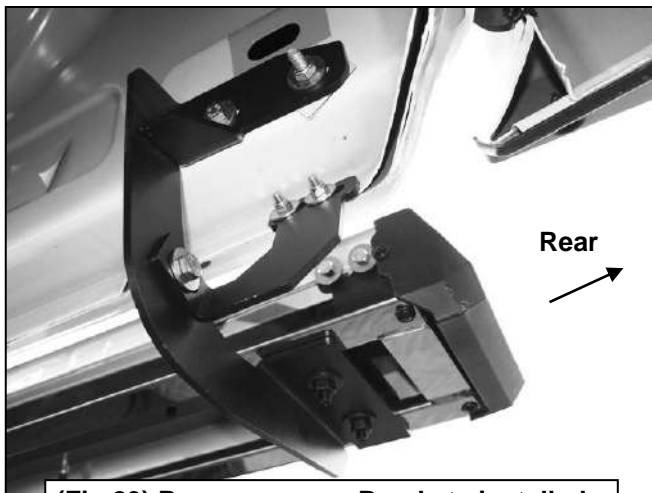
### Passenger Side Installation Pictured



(Fig 21) Passenger front Brackets installed



(Fig 22) Passenger center Brackets installed



(Fig 23) Passenger rear Brackets installed

