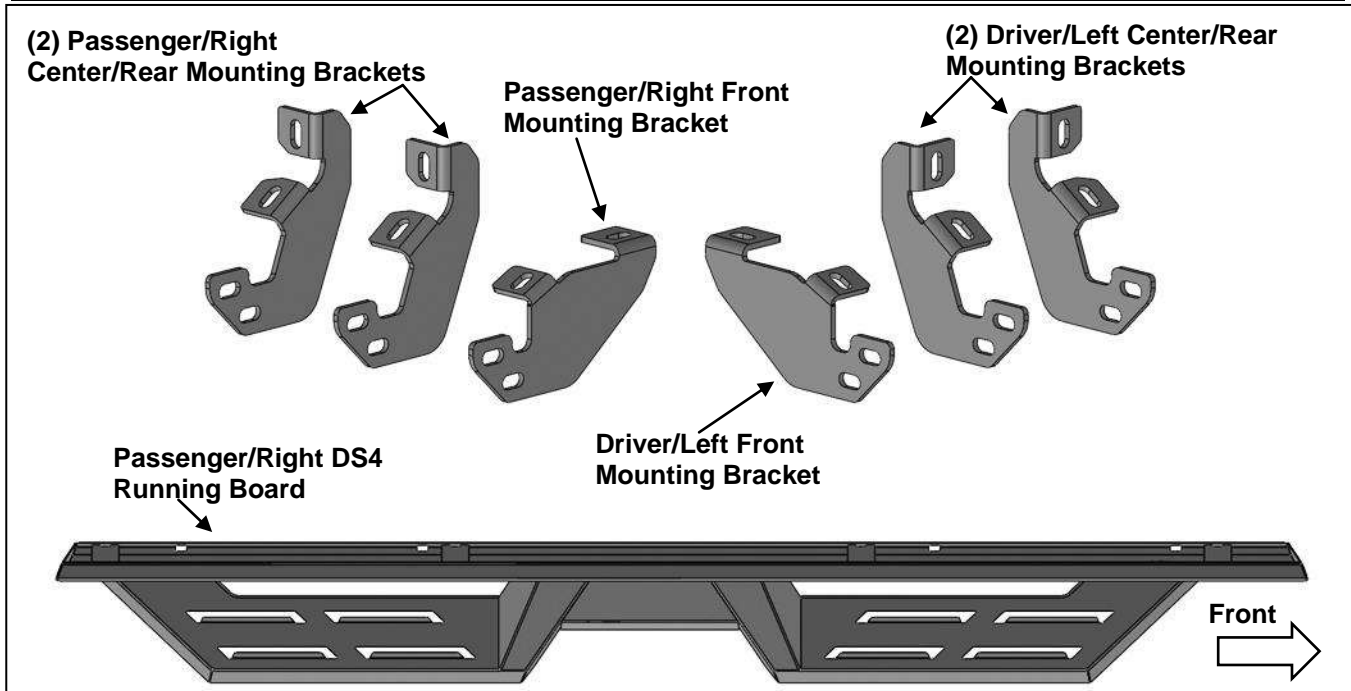


PARTS LIST:

1	Driver/Left DS4 Running Board	24	10mm x 30mm Hex Bolts
1	Passenger/Right DS4 Running Board	12	10mm Lock Washers
1	Driver/Left Front Mounting Bracket	12	10mm x 27mm OD x 3mm Flat Washers
1	Passenger/Right Front Mounting Bracket	24	10mm x 20mm OD x 2mm Flat Washers
2	Driver/Left Center/Rear Mounting Brackets	12	10mm Nylon Lock Nuts
2	Passenger/Right Center/Rear Mounting Brackets		

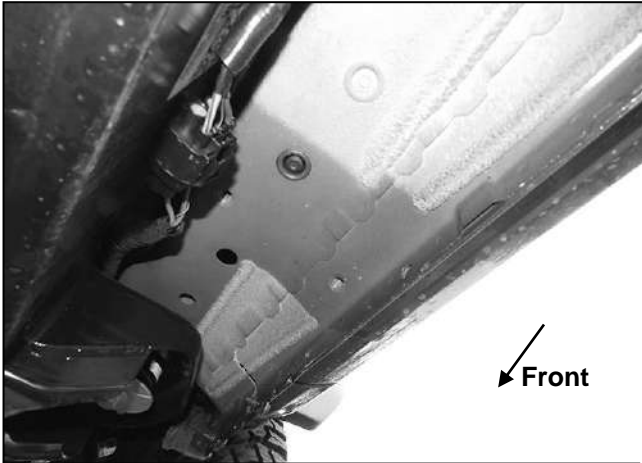


PROCEDURE:

- 1. REMOVE CONTENTS FROM BOX. VERIFY ALL PARTS ARE PRESENT. READ INSTRUCTIONS CAREFULLY BEFORE STARTING INSTALLATION.**
- Starting from underneath the Passenger/Right body panel, locate the front mounting location and the threaded holes in the body panel, **(Figure 1)**. Remove the plastic plugs covering the holes.
- Select the Passenger/Right Front Mounting Bracket. Attach the Mounting Bracket to the front location with (2) 10mm Hex Bolts, (2) 10mm Lock Washers and (2) 10mm Flat Washers, **(Figure 2)**. Do not tighten hardware.
- Repeat **Steps 2 & 4** to attach (2) Center/Rear Mounting Brackets to the center and rear locations, **(Figures 3—5)**. Do not tighten hardware.
- Select the Passenger/Right DS4 Running Board. Line up the mounting tabs on the Running Board to the rear faces of the Mounting Brackets. Attach the Running Board to the Mounting Brackets with (6) 10mm Hex Bolts, (12) 10mm x 20mm Flat Washers and (6) 10mm Nylon Lock Nuts, **(Figure 6)**. Do not tighten hardware.
- Level and adjust the Running Board and tighten all hardware.
- Repeat **Steps 1—7** to attach the Driver/Left DS4 Running Board.
- Do periodic inspections to the installation to make sure that all hardware is secure and tight.

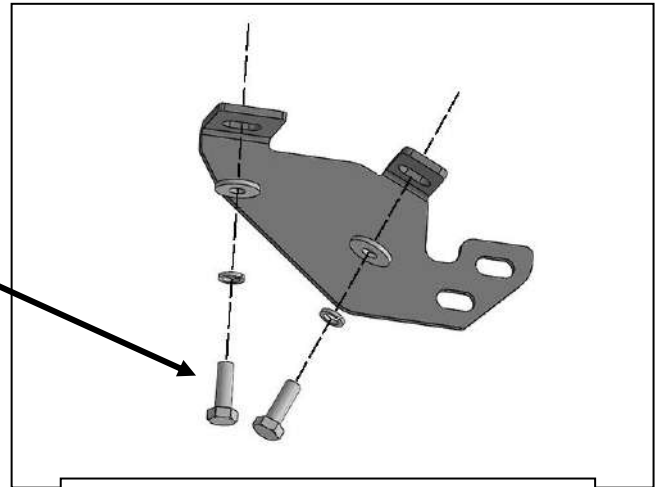
To protect your investment, Do not use any type of polish or wax that may contain abrasives that could damage the finish. Mild soap may be used to clean the Running Boards.

Passenger/Right side Installation Pictured

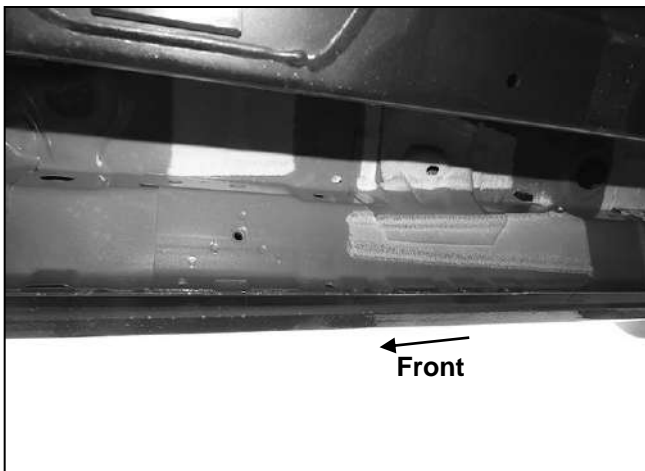


(Fig 1) Passenger/Right front mounting location

- (2) 10mm Hex Bolts
- (2) 10mm Lock Washers
- (2) 10mm x 27mm Flat Washers

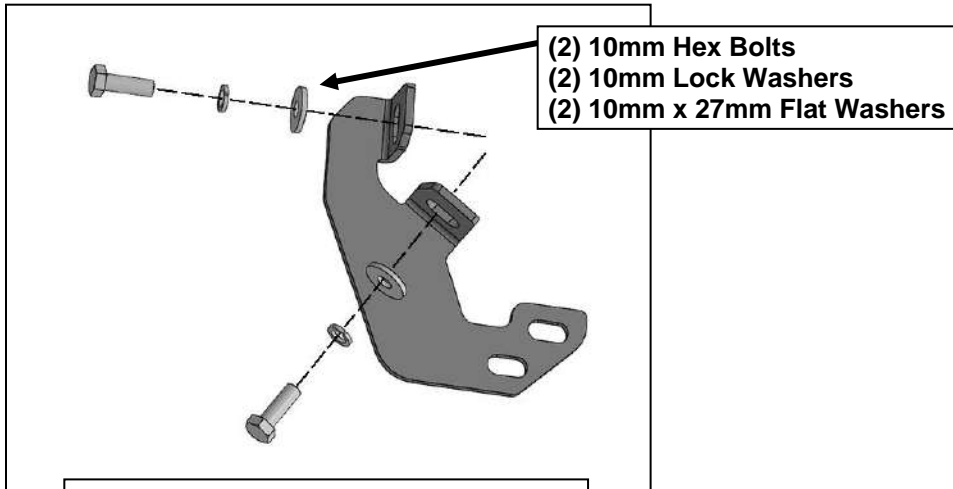


(Fig 2) Attach the Passenger/Right Front Mounting Bracket to the front location

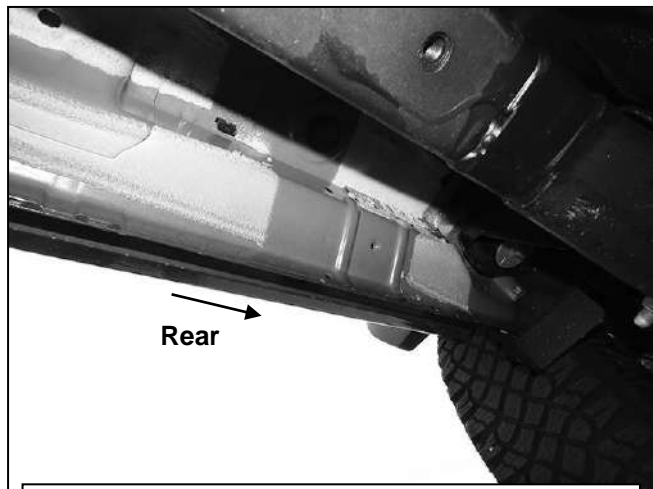


(Fig 3) Passenger/Right center mounting location

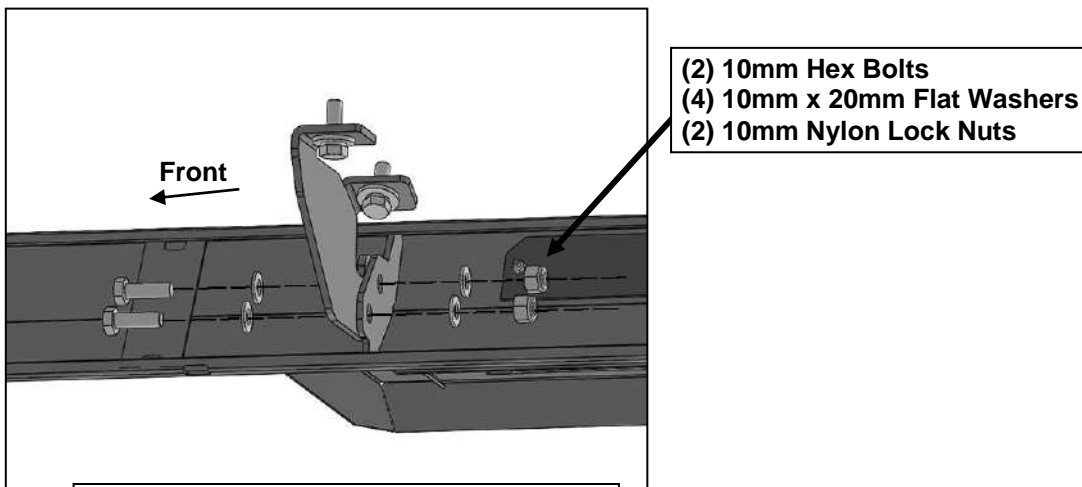
Passenger/Right side Installation Pictured



(Fig 4) Attach (1) Passenger/Right Rear Mounting Bracket to the center location



(Fig 5) Passenger/Right rear mounting location



(Fig 6) Attach the Passenger/Right Running Board to the Mounting Brackets