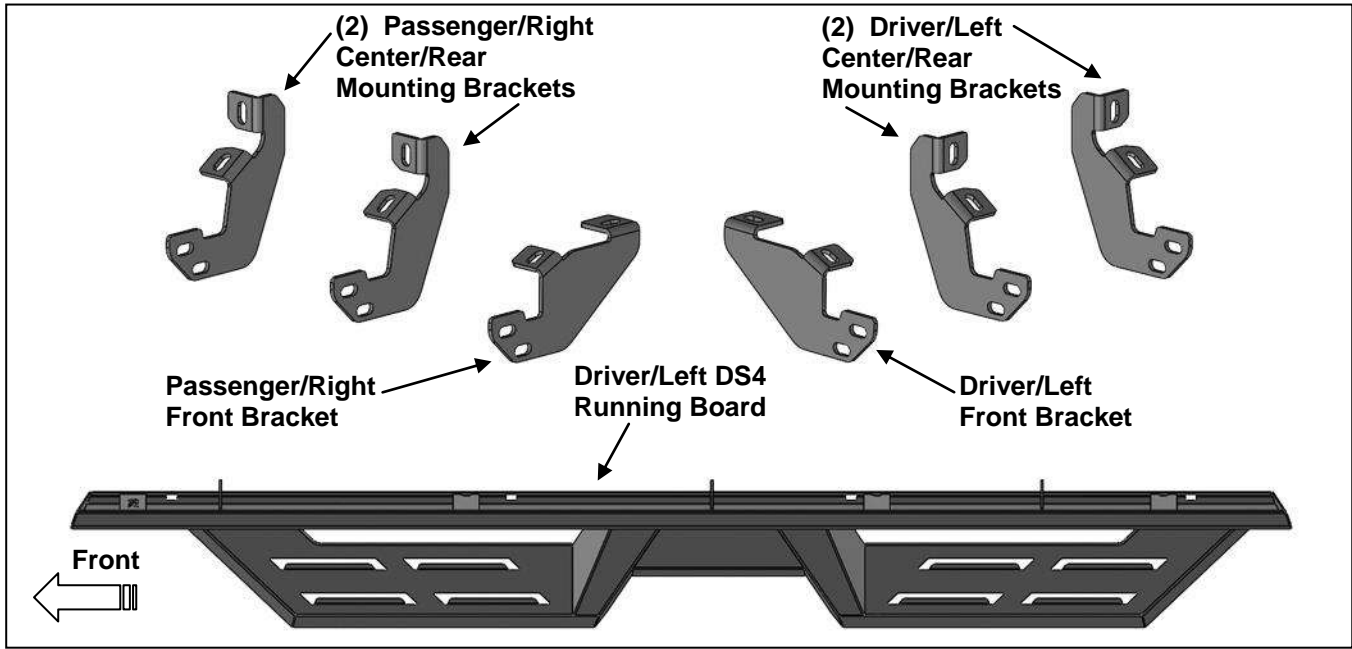


PARTS LIST:

| | | | |
|---|---|----|-----------------------------------|
| 1 | Driver/Left DS4 Running Board | 12 | 10mm x 30mm Hex Bolts |
| 1 | Passenger/Right DS4 Running Board | 12 | 10mm x 25mm Hex Bolts |
| 1 | Driver/Left Front Mounting Bracket | 12 | 10mm x 27mm OD x 3mm Flat Washers |
| 1 | Passenger/Right Front Mounting Bracket | 24 | 10mm x 20mm OD x 2mm Flat Washers |
| 2 | Driver/Left Center/Rear Mounting Brackets | 12 | 10mm Lock Washers |
| 2 | Passenger/Right Center/Rear Mounting Brackets | 12 | 10mm Nylon Lock Nuts |

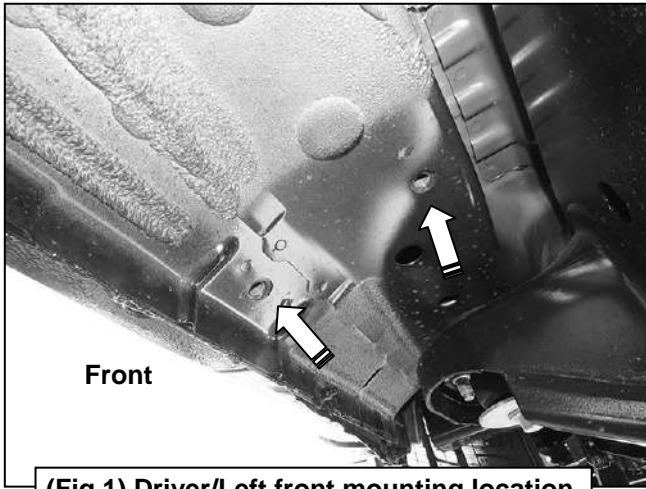


PROCEDURE:

- 1. REMOVE CONTENTS FROM BOX. VERIFY ALL PARTS ARE PRESENT. READ INSTRUCTIONS CAREFULLY BEFORE STARTING INSTALLATION.**
- Starting on the Driver/Left side inner rocker panel, locate the threaded mounting holes in the rocker panel, **(Figure 1)**. Remove the plastic plugs covering the mounting holes.
- Select (1) Driver/Left Front Mounting Bracket. Attach the Bracket to the Driver/Left front location with (2) 10mm x 25mm Hex Bolts, (2) 10mm Lock Washers and (2) 10mm x 27mm Flat Washers **(Figure 2)**. Do not tighten hardware.
- Locate the center threaded holes, **(Figures 3 & 4)**. Repeat **Steps 2—4** to attach (1) Driver/Left Center/Rear Mounting Bracket. Do not tighten hardware.
- Locate the rear threaded holes, **(Figures 4 & 5)**. Repeat **Steps 2—4** to attach (1) Driver/Left Center/Rear Mounting Bracket. Do not tighten hardware.
- Select the Driver/Left DS4 Running Board. Attach the Running Board to the rear faces of the Mounting Brackets with (6) 10mm x 30mm Hex Bolts, (12) 10mm x 20mm Flat Washers and (6) 10mm Nylon Lock Nuts, **(Figure 6)**. Do not tighten hardware.
- Level and adjust the Running Board and tighten all hardware.
- Repeat **Steps 2—7** to attach the Passenger/Right DS4 Running Board.
- Do periodic inspections to the installation to make sure that all hardware is secure and tight.

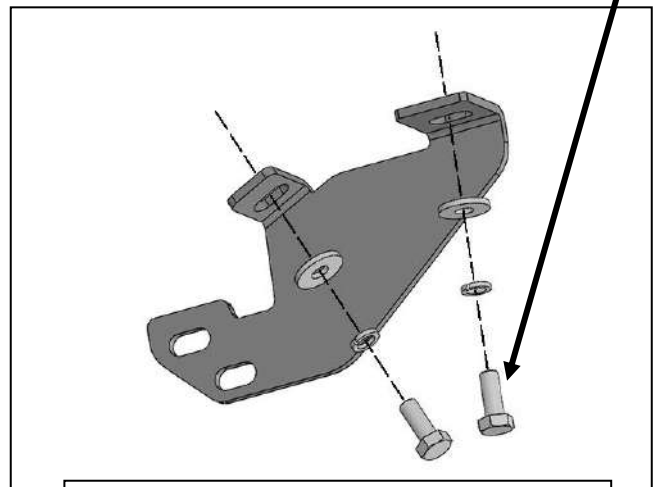
To protect your investment, Do not use any type of polish or wax that may contain abrasives that could damage the finish. Mild soap may be used to clean the Running Boards.

Driver/Left side Installation Pictured

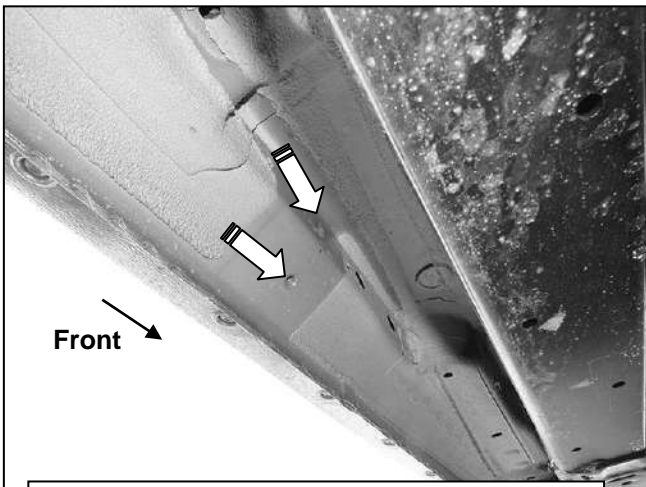


(Fig 1) Driver/Left front mounting location

- (2) 10mm x 25mm Hex Bolts
- (2) 10mm Lock Washers
- (2) 10mm x 27mm Flat Washers

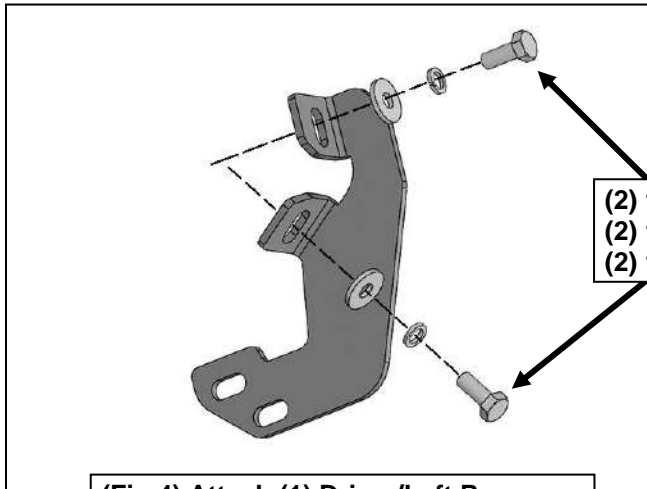


(Fig 2) Attach (1) Front Mounting Bracket to the front rocker panel location



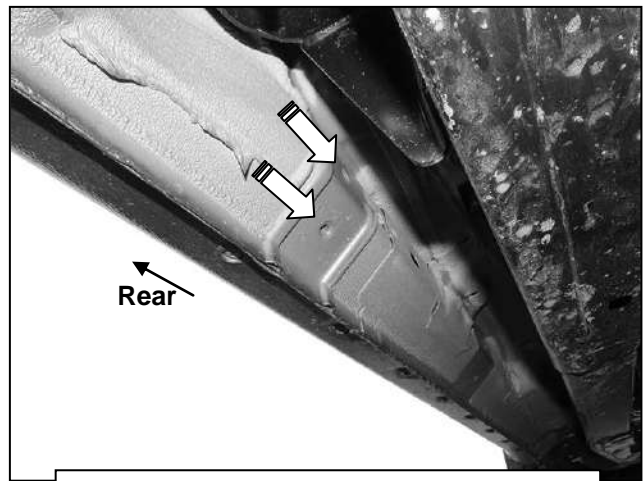
(Fig 3) Driver/Left center mounting location

Driver/Left side Installation Pictured

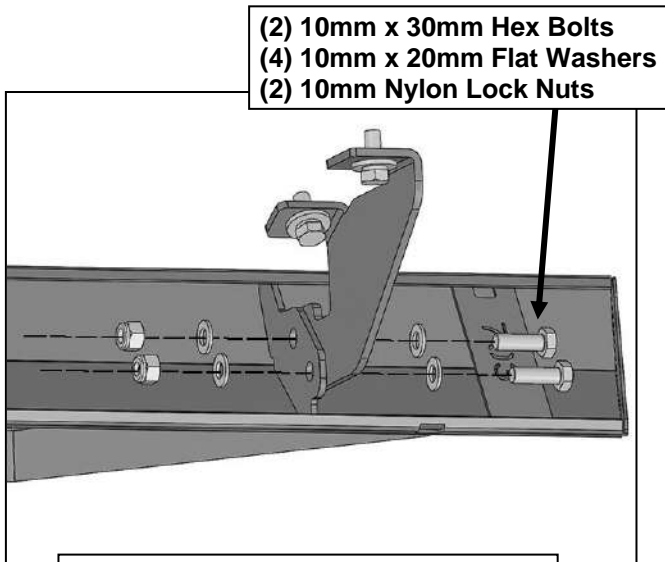


- (2) 10mm x 25mm Hex Bolts
- (2) 10mm Lock Washers
- (2) 10mm x 27mm Flat Washers

(Fig 4) Attach (1) Driver/Left Rear Mounting Bracket to the rocker panel



(Fig 5) Driver/Left rear mounting location



- (2) 10mm x 30mm Hex Bolts
- (4) 10mm x 20mm Flat Washers
- (2) 10mm Nylon Lock Nuts

(Fig 6) Attach the Driver/Left Running Board to the Mounting Brackets