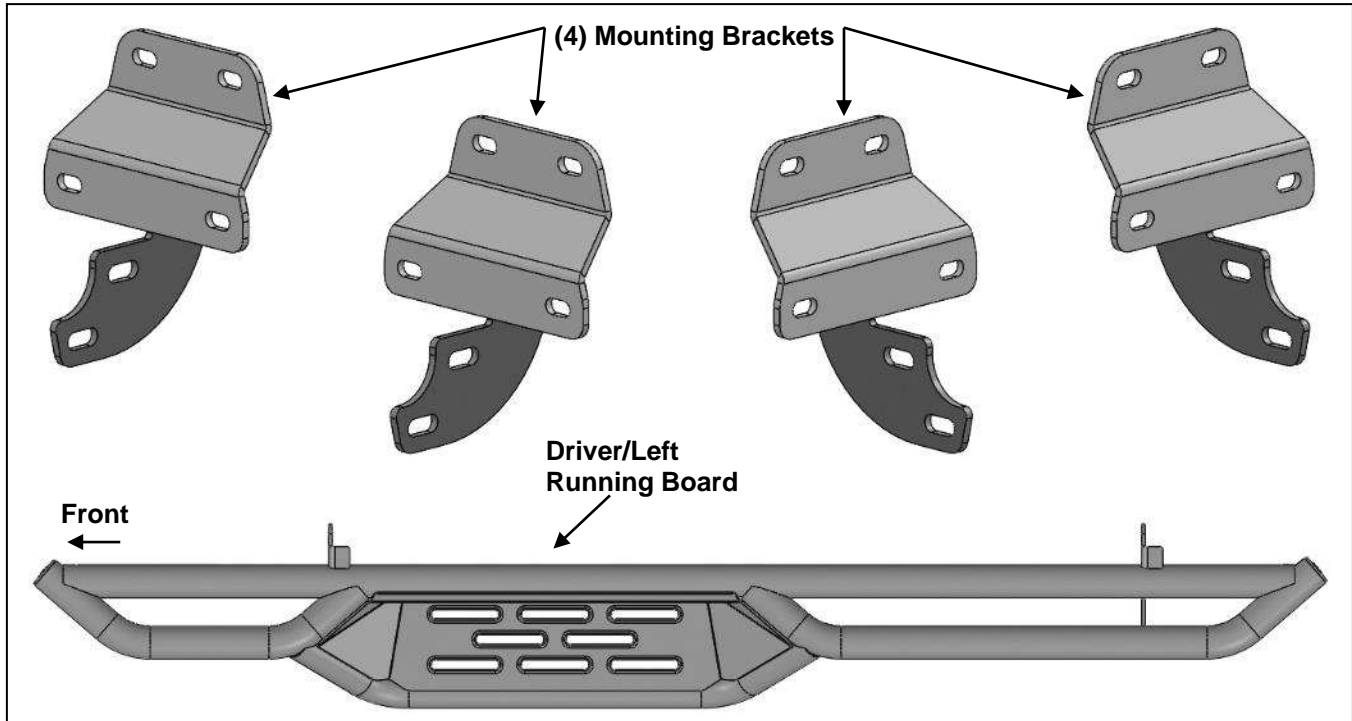


**PARTS LIST:**

1	Driver/Left NB1 Running Board	8	10-1.5mm Nylon Lock Nuts
1	Passenger/Right NB1 Running Board	12	8mm Plastic Washers
4	Mounting Brackets	12	8mm x 24mm x 2mm Flat Washers
8	10-1.5mm x 35mm Hex Bolts	12	8-1.25mm Nylon Lock Nuts
16	10mm x 27mm x 3mm Flat Washers		

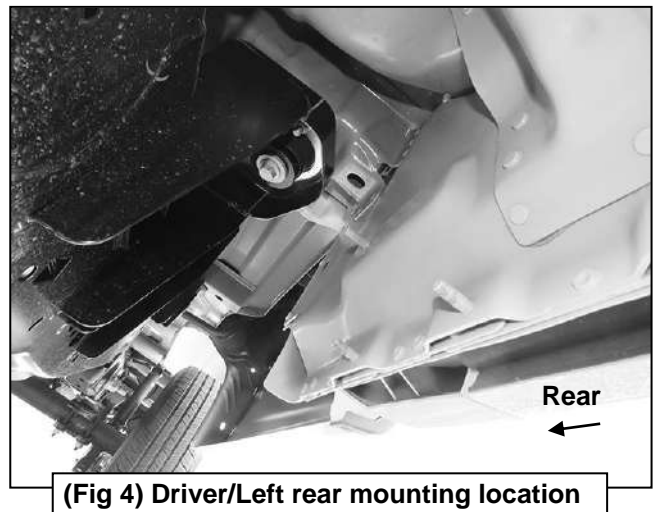
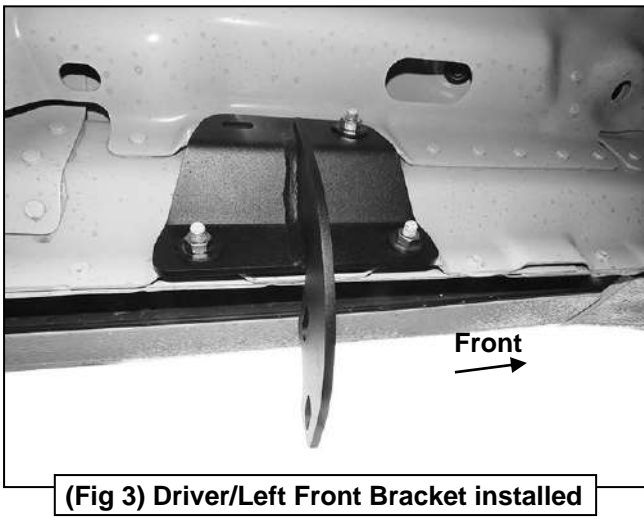
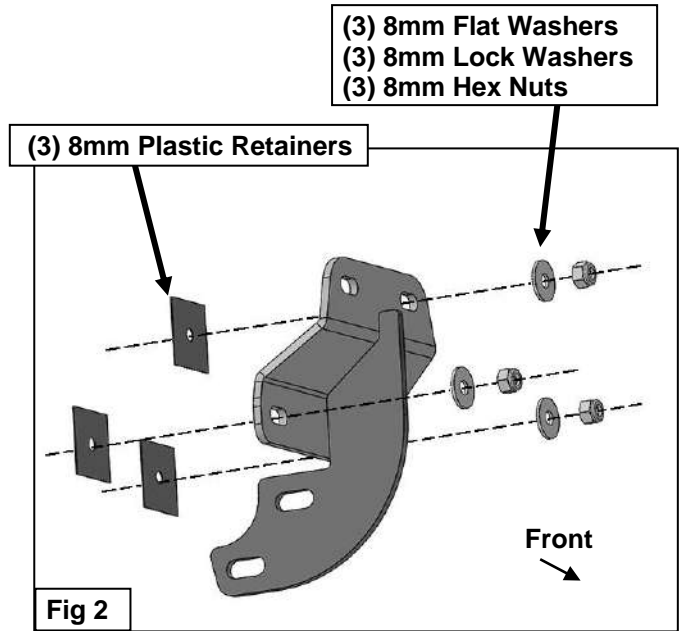
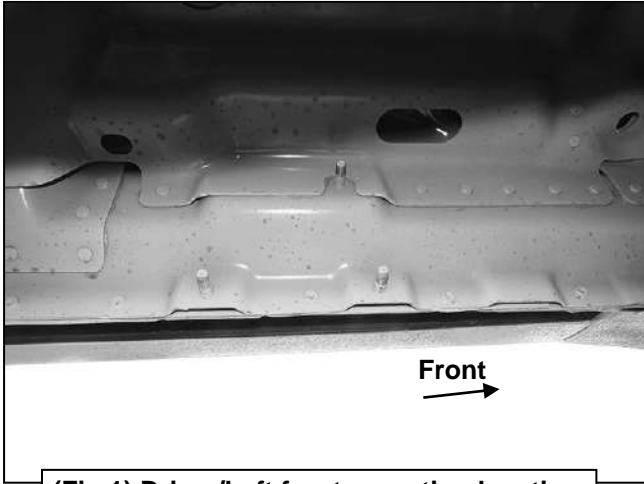


**PROCEDURE:**

- REMOVE CONTENTS FROM BOX. VERIFY ALL PARTS ARE PRESENT. READ INSTRUCTIONS CAREFULLY BEFORE STARTING INSTALLATION.**
- Starting on the Driver/Left front of the vehicle, locate the threaded mounting studs in the rocker panel, **(Figure 1)**. **Clean mounting studs with wire brush to remove paint and debris.**
- Slide (1) Plastic Washer over each of the (3) factory mounting studs in the rocker panel. **IMPORTANT:** The Plastic Washers are designed to prevent corrosion between the aluminum rocker panel and the steel mounting brackets. **Do not install the Brackets without the Plastic Washers.**
- Select (1) Mounting Bracket. **NOTE:** All (4) Brackets are universal and will fit left or right in all mounting locations. Attach the Mounting Bracket to the (3) factory studs with (3) 8mm Flat Washers and (3) 8mm Nylon Lock Nuts, **(Figures 2 & 3)**. Do not tighten hardware at this time.
- Repeat **Steps 2—4** to install the Rear Bracket, **(Figures 4 & 5)**. Do not tighten hardware at this time.
- Select the Driver/Left Running Board. Attach the Running Board to the rear facing side of the Mounting Brackets with (4) 10mm Hex Bolts, (8) 10mm Flat Washers and (4) 10mm Nylon Lock Nuts, **(Figures 6—8)**. Do not tighten hardware at this time.
- Level and adjust the Running Board as necessary and fully tighten all hardware.
- Repeat **Steps 2—7** for Passenger/Right Running Board installation.
- Do periodic inspections to the installation to make sure that all hardware is secure and tight.

**To protect your investment,** Do not use any type of polish or wax that may contain abrasives that could damage the finish. Mild soap may be used to clean the Running Board.

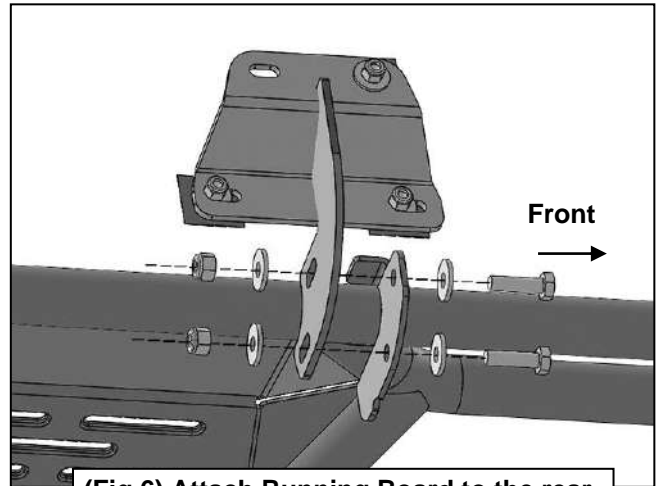
### Driver/Left Side Installation Pictured



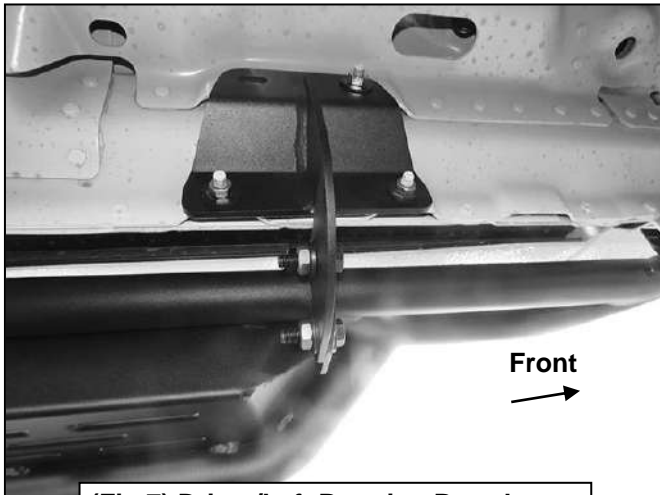
**Driver/Left Side Installation Pictured**



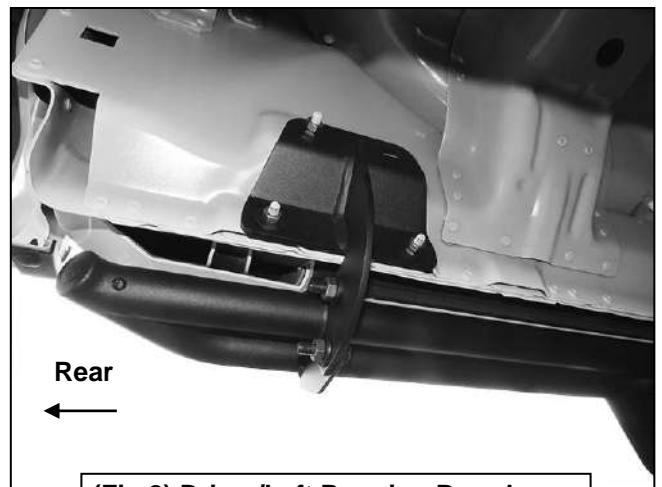
**(Fig 5) Driver/Left Rear Bracket installed**



**(Fig 6) Attach Running Board to the rear facing side of the Mounting Brackets**



**(Fig 7) Driver/Left Running Board attached to the front Mounting Bracket**



**(Fig 8) Driver/Left Running Board attached to the rear Mounting Bracket**