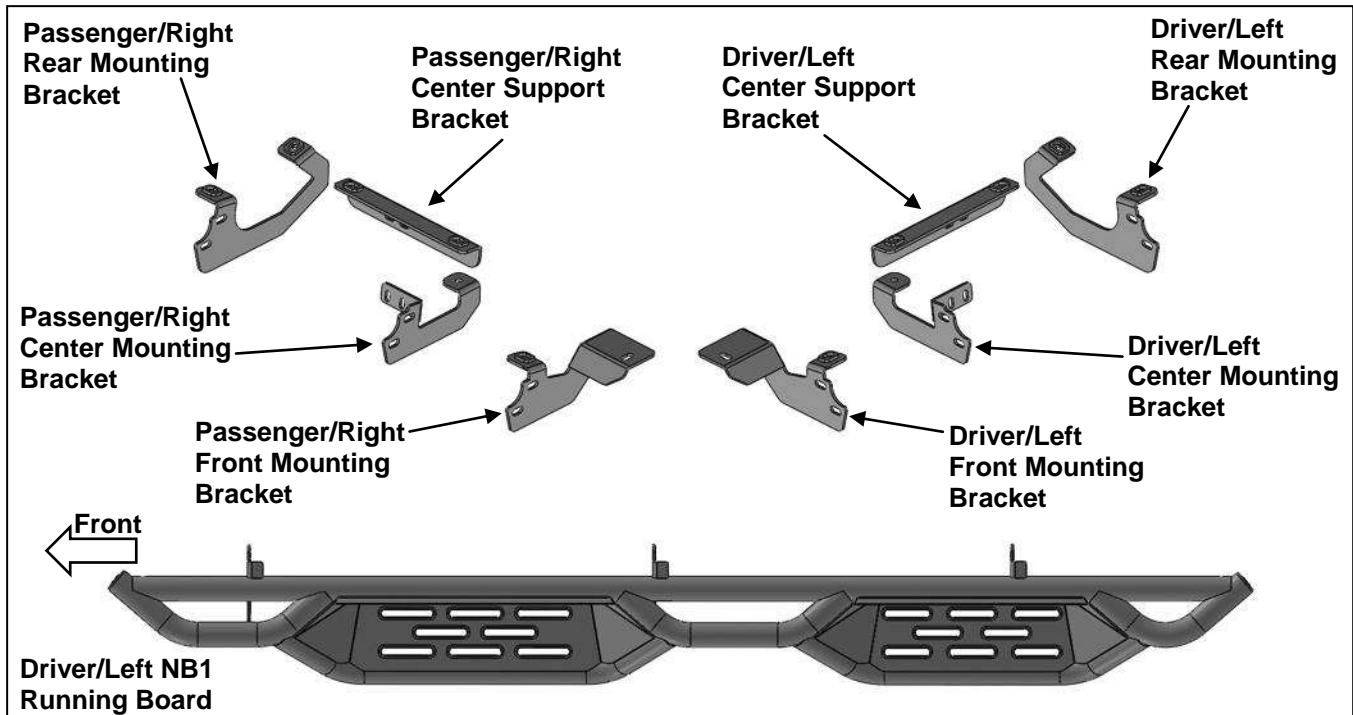


PARTS LIST:

1	Driver/Left NB1 Running Board	8	10mm Spiral Bolts
1	Passenger/Right NB1 Running Boards	2	10mm x 60mm Hex Bolts
1	Driver/Left Front Mounting Bracket	12	10mm x 35mm Hex Bolts
1	Passenger/Right Front Mounting Bracket	38	10mm x 27mm OD x 3mm Flat Washers
1	Driver/Left Center Mounting Bracket	14	10mm Lock Washers
1	Passenger/Right Center Mounting Bracket	14	10mm Hex Nuts
1	Driver/Left Rear Mounting Bracket	12	10mm Nylon Lock Nuts
1	Passenger/Right Rear Mounting Bracket	4	10mm Plastic Retainers
1	Driver/Left Center Support Bracket	4	8mm x 25mm Hex Bolts
1	Passenger/Right Center Support Bracket	8	8mm x 24mm OD x 2mm Flat Washers
2	Compression Plates	4	8mm Lock Washers
2	10mm x 40mm Long Bolt Plates	4	8mm Hex Nuts
2	10mm x 40mm Short Bolt Plates		



PROCEDURE:

- 1. REMOVE CONTENTS FROM BOX. VERIFY ALL PARTS ARE PRESENT. READ INSTRUCTIONS CAREFULLY BEFORE STARTING INSTALLATION.**
- Starting under the Driver/Left side of the vehicle, remove the large plastic cover on the bottom of the floor panel, **(Figure 1)**. Determine which plastic clips need to be removed. Carefully remove only the plastic clips for installation, **(Figures 2 & 3)**.
- Locate the front mounting location, **(Figure 4)**. Select (1) 10mm Spiral Bolt. Insert the Spiral Bolt into the side panel, **(Figures 5A & 5B)**. Select (1) 10mm Short Bolt Plate. Insert the Bolt Plate into the floor panel, **(Figure 6)**. Thread (1) 10mm Plastic Retainer onto the Bolt Plate to hold it in place.
 - Follow link for 10mm Spiral Bolt installation. <https://youtu.be/BqQis3QjZNc>



- Select the Driver/Left Mounting Bracket. Attach the Mounting Bracket to the Spiral Bolt and the Bolt Plate with (2) 10mm Flat Washers, (2) 10mm Lock Washers and (2) 10mm Hex Nuts, **(Figure 7)**. Do not tighten hardware.
- Move to the center location, **(Figure 8)**. Insert (2) 10mm Spiral Bolts into the side panel, **(Figure 9)**. Select the Driver/Left Center Support Bracket. Attach the Support Bracket to the (2) Spiral Bolts with (2)

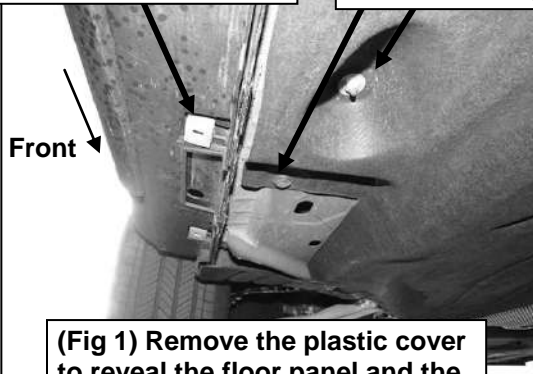
10mm Flat Washers, (2) 10mm Lock Washers and (2) 10mm Hex Nuts, **(Figure 10)**. Do not tighten hardware.

6. Select the Center Mounting Bracket. Attach the Mounting Bracket to the Support Bracket with (2) 8mm Hex Bolts, (4) 8mm Flat Washers, (2) 8mm Lock Washers and (2) 8mm Hex Nuts, **(Figure 11)**. Do not tighten hardware.
7. Select (1) Compression Plate.
 - a. Thread (1) 10mm Hex Nut to (1) 10mm x 60mm Hex Bolt.
 - b. Slide (1) 10mm Lock Washer and (1) 10mm Flat washer onto the 10mm Hex Bolt.
 - c. Thread the 10mm Hex Bolt assembly into the welded nut on the back of the Mounting Bracket. Place the Compression Plate onto the end of the 10mm Hex Bolt, **(Figure 12)**.
 - d. Tighten Hex Bolt to place the Compression Plate onto the floor panel. Do not tighten Hex Bolt all the way. **NOTE:** Use the 10mm Hex Nut to adjust the level of the Mounting Bracket.
8. Move to the rear mounting location. Repeat **Steps 3 & 4** to attach the Driver/Left Rear Mounting Bracket, **(Figures 13—15)**. Do not tighten hardware.
9. Select the Driver/Left NB1 Running Board. With assistance, attach the Running Board to the rear faces of the (3) Mounting Brackets with (6) 10mm x 35mm Hex Bolts, (12) 10mm Flat Washers and (6) 10mm Nylon Lock Nuts, **(Figure 16)**. Do not tighten hardware.
10. Level and adjust the NB1 Running Board and tighten all hardware.
11. Do periodic inspections to the installation to make sure that all hardware is secure and tight.

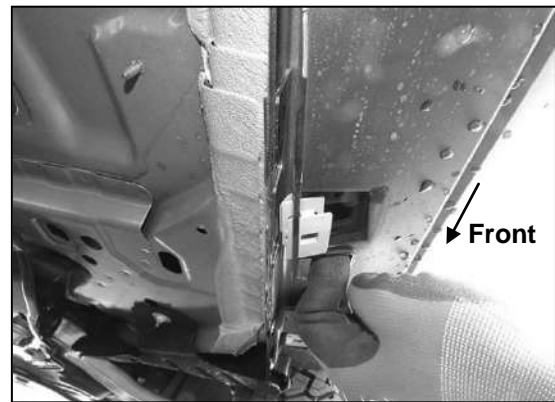
To protect your investment, Do not use any type of polish or wax that may contain abrasives that could damage the finish. Mild soap may be used to clean the Running Boards.

Remove plastic trim clips

Remove factory pins and hardware



(Fig 1) Remove the plastic cover to reveal the floor panel and the plastic clips in the outer trim



(Fig 2) Gently pull the trim slightly to loosen the clips (Passenger side shown)



(Fig 3) Plastic clip removed from the front location trim (Passenger side shown)

Driver/Left Side Installation Pictured

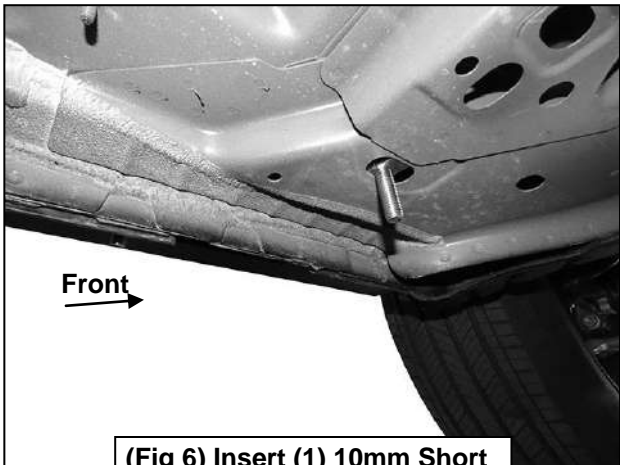


(Fig 4) Locate the Driver/Left front mounting location

(Fig 5B) Follow link for 10mm Spiral Bolt installation.
<https://youtu.be/BqQis3QjZnc>



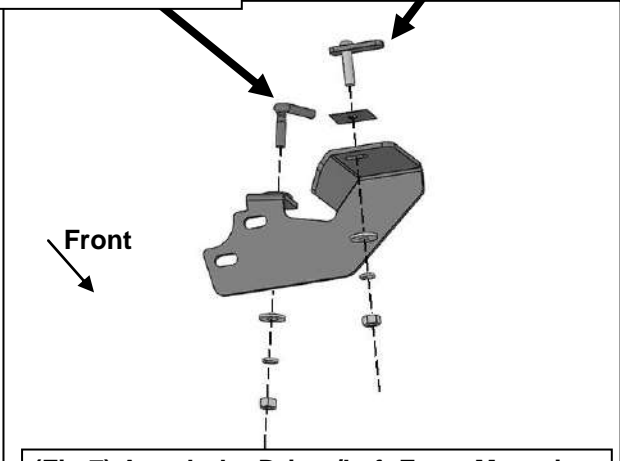
(Fig 5A) Insert (1) 10mm Spiral Bolt into the side panel



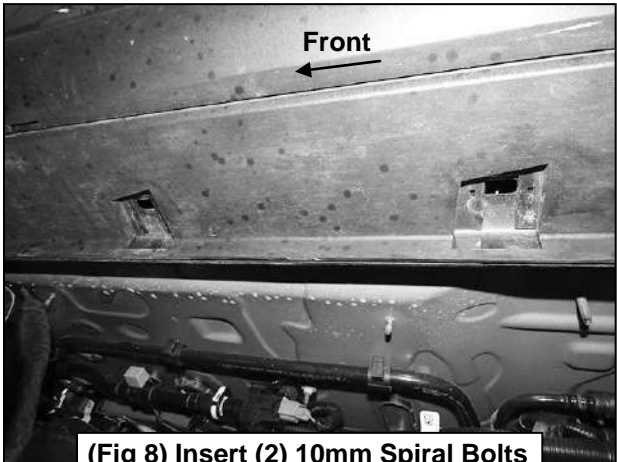
(Fig 6) Insert (1) 10mm Short Bolt Plate into the floor panel

10mm Spiral Bolt
10mm Flat Washer
10mm Lock Washer
10mm Hex Nut

10mm Short Bolt Plate
10mm Plastic Retainer
10mm Flat Washer
10mm Lock Washer
10mm Hex Nut

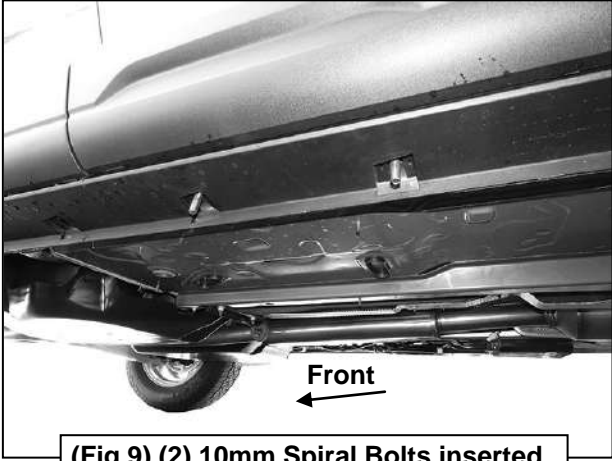


(Fig 7) Attach the Driver/Left Front Mounting Bracket to the Spiral Bolt and Bolt Plate



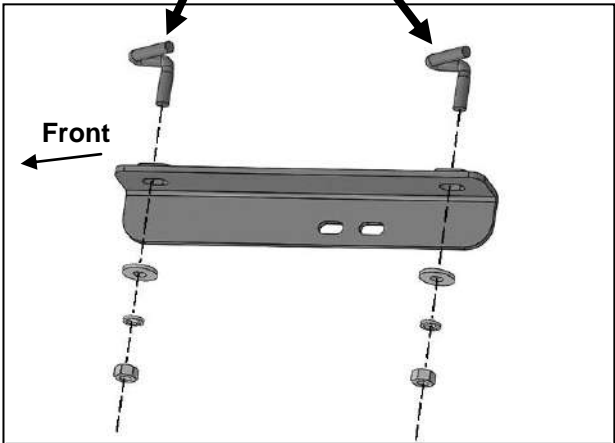
(Fig 8) Insert (2) 10mm Spiral Bolts into the outer center location

Driver/Left Side Installation Pictured



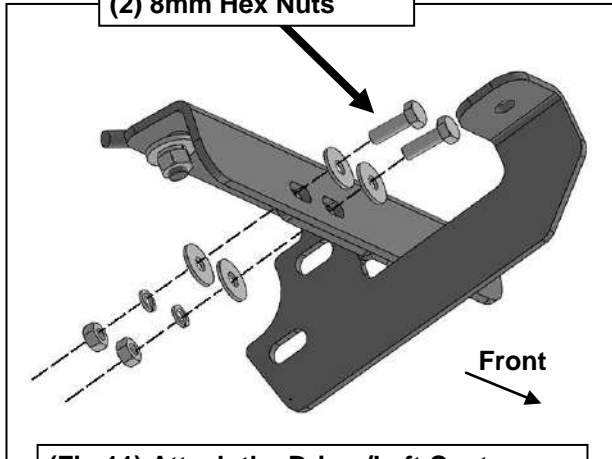
(Fig 9) (2) 10mm Spiral Bolts inserted into the outer center location

- (2) 10mm Spiral Bolts
- (2) 10mm Flat Washers
- (2) 10mm Lock Washers
- (2) 10mm Hex Nuts



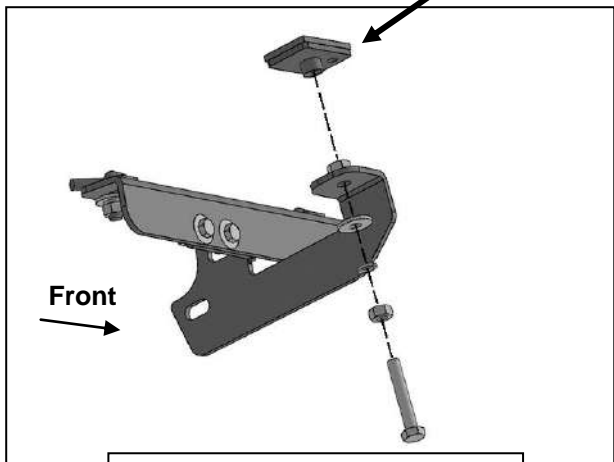
(Fig 10) Attach the Driver/Left Center Support Bracket to the (2) 10mm Spiral Bolts

- (2) 8mm Hex Bolts
- (4) 8mm Flat Washers
- (2) 8mm Lock Washers
- (2) 8mm Hex Nuts



(Fig 11) Attach the Driver/Left Center Mounting Bracket to the Support Bracket

- 10mm x 60mm Hex Bolt
- 10mm Hex Nut
- 10mm Lock Washer
- 10mm Flat Washer
- Compression Plate

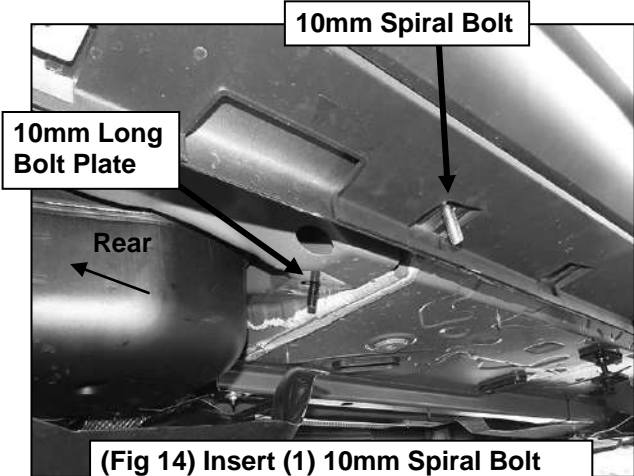


(Fig 12) Use (1) Compression Plate to level the Bracket (Note use the Hex Nuts as adjusters)

Driver/Left Side Installation Pictured

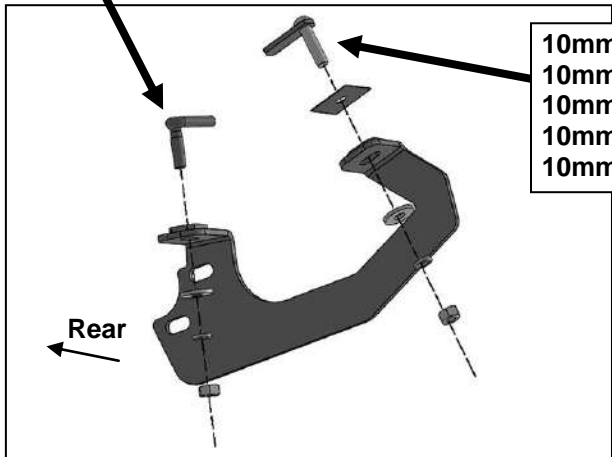


(Fig 13) Example of the rear location (Passenger side shown)



(Fig 14) Insert (1) 10mm Spiral Bolt into the side panel and (1) 10mm Long Bolt Plate into the floor panel

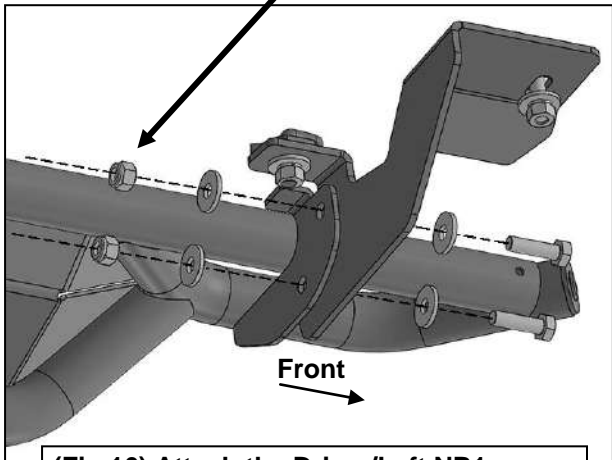
- 10mm Spiral Bolt
- 10mm Flat Washer
- 10mm Lock Washer
- 10mm Hex Nut



- 10mm Short Bolt Plate
- 10mm Plastic Retainer
- 10mm Flat Washer
- 10mm Lock Washer
- 10mm Hex Nut

(Fig 15) Attach the Driver/Left Rear Mounting Bracket to the Spiral Bolt and the Bolt Plate

- (2) 10mm x 35mm Hex Bolts
- (4) 10mm Flat Washers
- (2) 10mm Nylon Lock Nuts



(Fig 16) Attach the Driver/Left NB1 Running Board to the Mounting Brackets