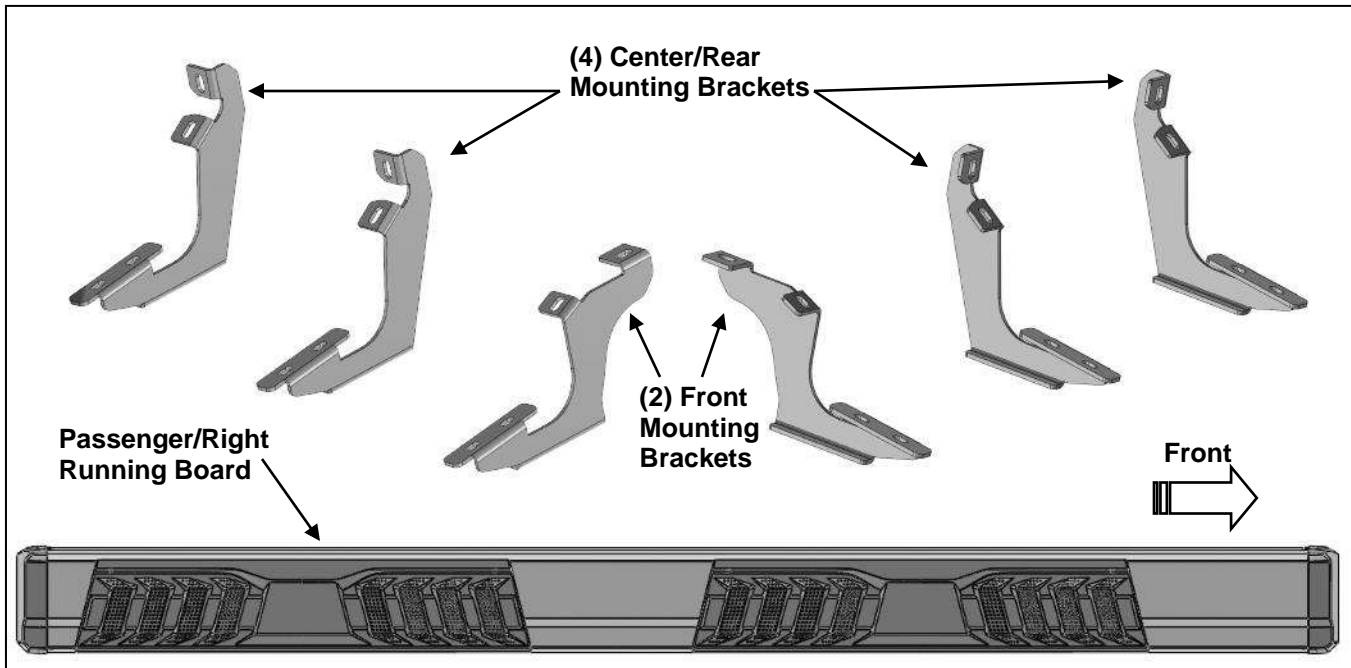


**S6 RUNNING BOARDS
2019 FORD RANGER SUPER CAB**

PARTS LIST:

1	S6 Driver/Left Running Board	12	10mm Lock Washers
1	S6 Passenger/Right Running Board	12	10mm x 27mm x 3mm Flat Washers
2	Front Mounting Brackets	6	8mm x 1.25mm x 35mm Double Bolt Plates
4	Center/Rear Mounting Brackets	12	8mm x 24mm x 2mm Flat Washers
12	10-1.5mm x 25mm Hex Bolts	12	8mm Nylon Lock Nuts



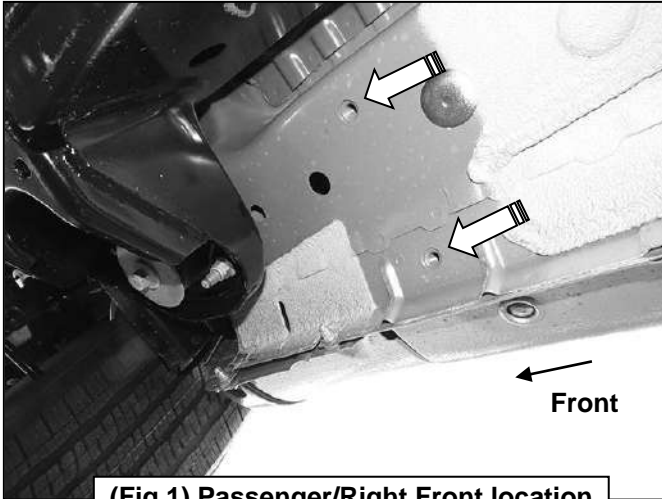
PROCEDURE:

REMOVE CONTENTS FROM BOX. VERIFY ALL PARTS ARE PRESENT. READ INSTRUCTIONS CAREFULLY BEFORE STARTING INSTALLATION. ASSISTANCE IS RECOMMENDED.

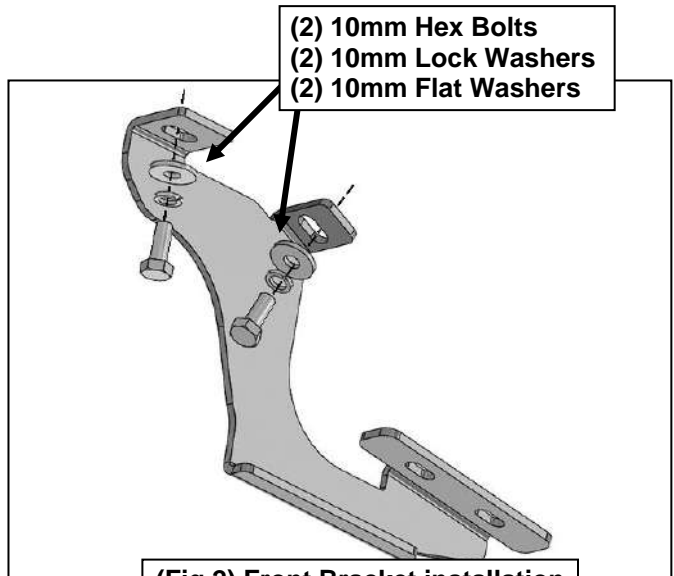
1. Start the installation under the Passenger/Right side of the vehicle. Locate the front factory mounting location along the inner side of the body, **(Figure 1)**.
2. Remove the plastic plugs covering the mounting holes. Select Passenger/Right Front Mounting Bracket. Attach to Passenger/Right front location with (2) 10mm x 25mm Hex Bolts, (2) 10mm Lock Washers and (2) 10mm Flat Washers **(Figure 2)**. Do not tighten hardware at this time.
3. Locate the Center threaded mounting holes. Select (1) Center/Rear Mounting Bracket. Attach with (2) 10mm x 25mm Hex Bolts, (2) 10mm Lock Washers and (2) 10mm Flat Washers, **(Figures 3 & 5)**. Do not tighten hardware at this time.
4. Repeat **Step 3** to install Passenger/Right Rear Mounting Brackets, **(Figures 4 & 5)**.
5. Carefully unwrap and select the Passenger/Right Running Board.
6. Place the Running Board on top of the Brackets. Locate the channel in the bottom of the Running Board. Select (3) 8mm Double Bolt Plates. Insert the Bolt Plates into the channel in the bottom of the Running Board closest to the Brackets, **(Figure 6)**. Lift the Running Board up and guide the studs down through the Brackets.
7. Attach the Running Board to the Brackets with (6) 8mm Flat Washers and (6) 8mm Nylon Lock Nuts, **(Figure 7)**. Do not tighten hardware at this time.
8. Level and adjust the Running Board as necessary and fully tighten all hardware.
9. Repeat **Steps 1—8** for the Driver/Left side Running Board installation.
10. Do periodic inspections to the installation to make sure that all hardware is secure and tight.

To protect your investment, Do not use any type of polish or wax that may contain abrasives that could damage the finish. Mild soap may be used also to clean the Running Board.

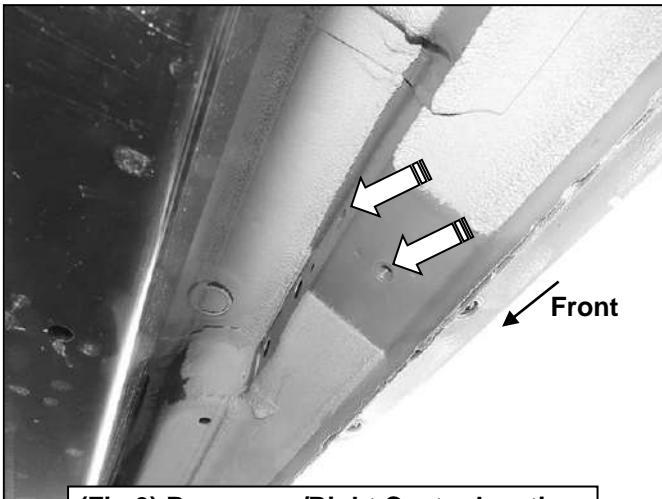
Passenger/Right Side Installation Pictured



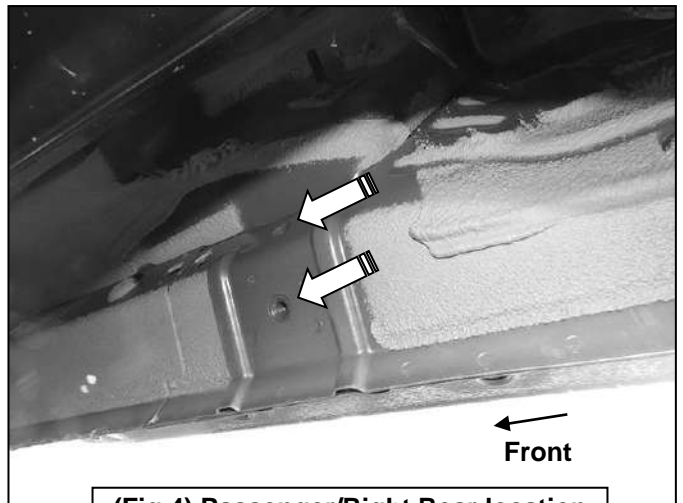
(Fig 1) Passenger/Right Front location



(Fig 2) Front Bracket installation

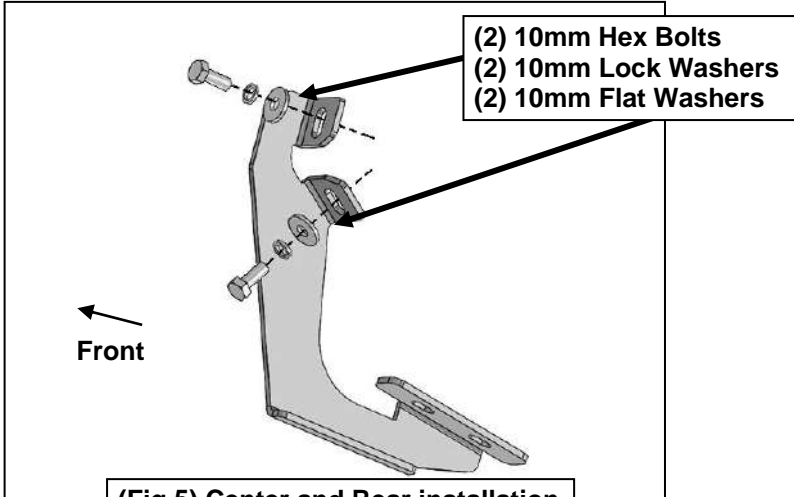


(Fig 3) Passenger/Right Center location

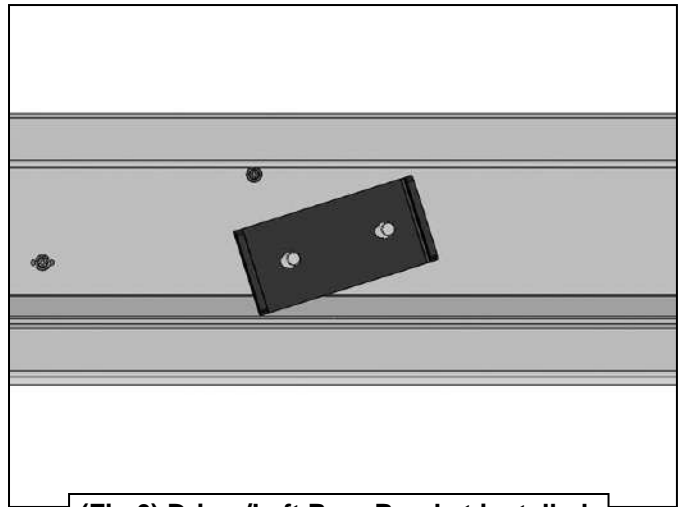


(Fig 4) Passenger/Right Rear location

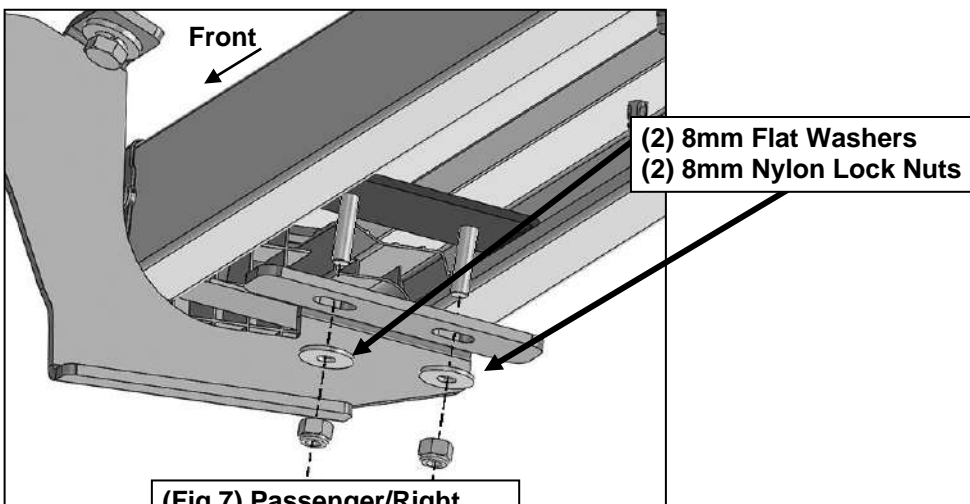
Passenger/Right Side Installation Pictured



(Fig 5) Center and Rear installation



(Fig 6) Driver/Left Rear Bracket installed



(Fig 7) Passenger/Right Running Board installation