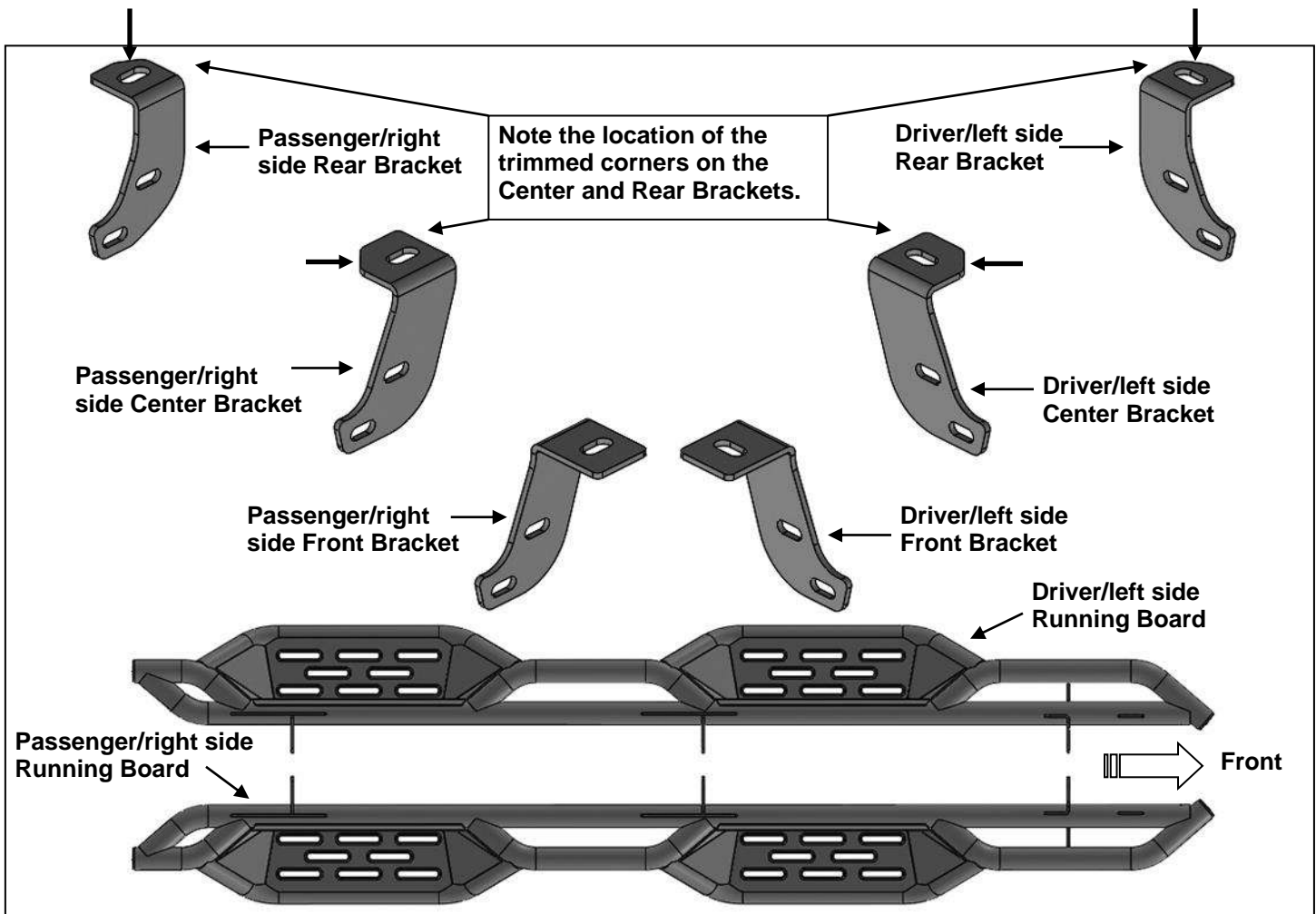


**PARTS LIST:**

1	Driver/left NB1 Running Board	24	10mm x 27mm x 3mm Flat Washers
1	Passenger/right NB1 Running Board	12	10-1.5mm Nylon Lock Nuts
1	Driver/left Front Mounting Bracket	6	8-1.25mm x 35mm Hex Bolts
1	Passenger/right Front Mounting Bracket	6	8mm x 28mm x 3mm Flat Washers
1	Driver/left Center Mounting Bracket	6	8mm Lock Washers
1	Passenger/right Center Mounting Bracket	12	6-1.0mm x 25mm Hex Bolts
1	Driver/left Rear Mounting Bracket	24	6mm x 22mm x 2mm Flat Washers
1	Passenger/right Rear Mounting Bracket	12	6-1.0mm Nylon Lock Nuts
12	10-1.5mm x 35mm Hex Bolts		



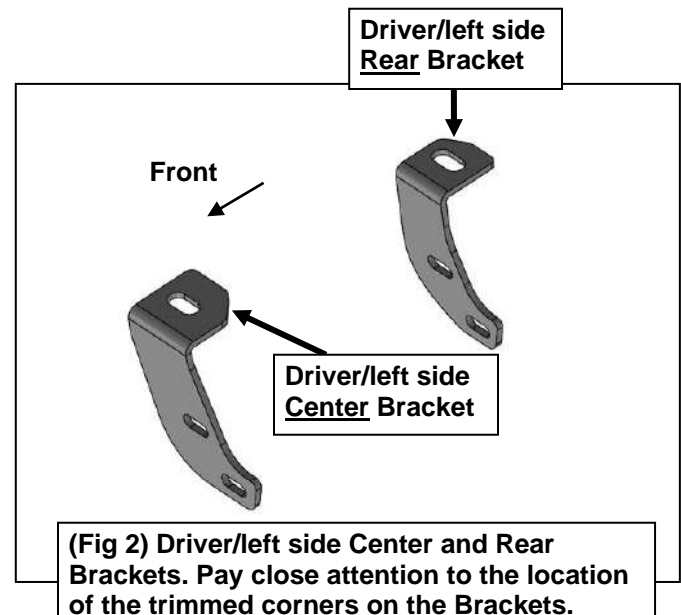
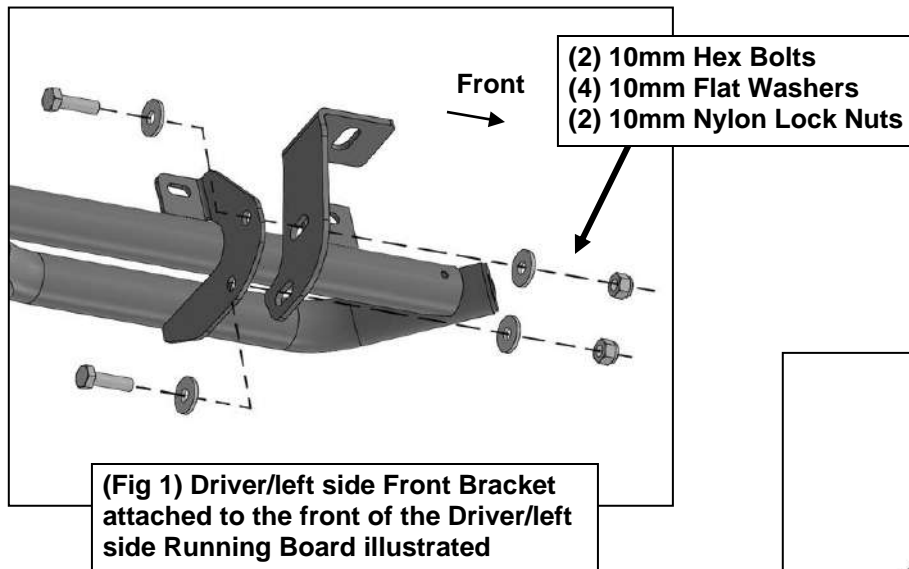
**PROCEDURE:**

- 1. REMOVE CONTENTS FROM BOX. VERIFY ALL PARTS ARE PRESENT. READ INSTRUCTIONS CAREFULLY. FACTORY INSTALLED OR AFTERMARKET "ROCK RAILS," SIDE STEPS OR RUNNING BOARDS MUST BE REMOVED.**
- Start installation toward the front of the driver side of the vehicle. Select and place the Driver/left side Front Bracket and the Driver/left side Running Board on a stable clean flat surface. **NOTE:** Use the illustration above and **Figure 1** to help determine the correct Bracket and Running Board. Use the included (2) 10mm Hex Bolts, (4) 10mm x 27mm Flat Washers and (2) 10mm Nylon Lock Nuts to attach the rear facing side of the Bracket to the front side of the welded bracket on the Running Board, (**Figure 1**). Do not tighten hardware at this time.

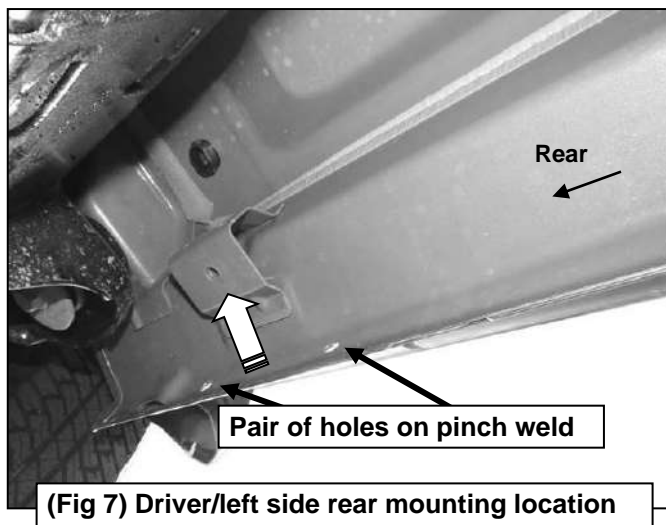
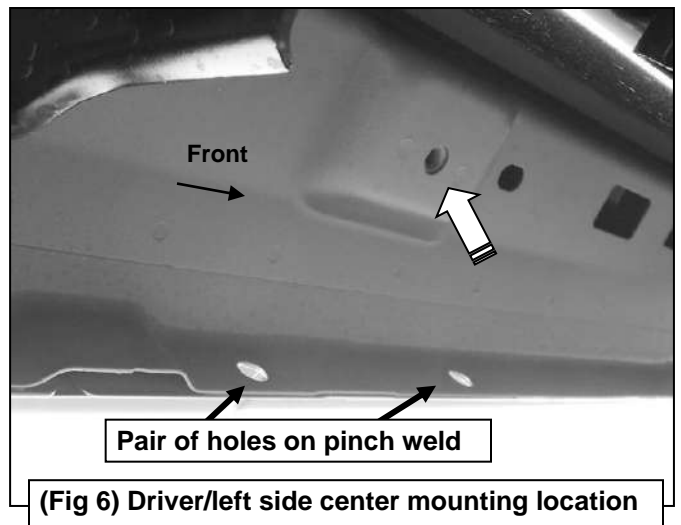
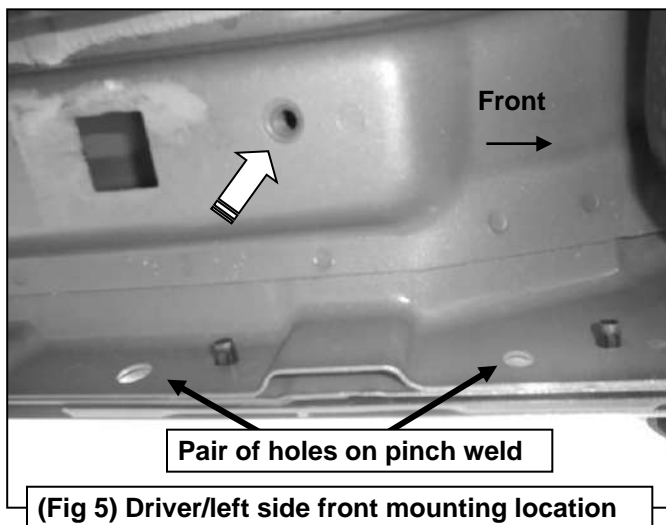
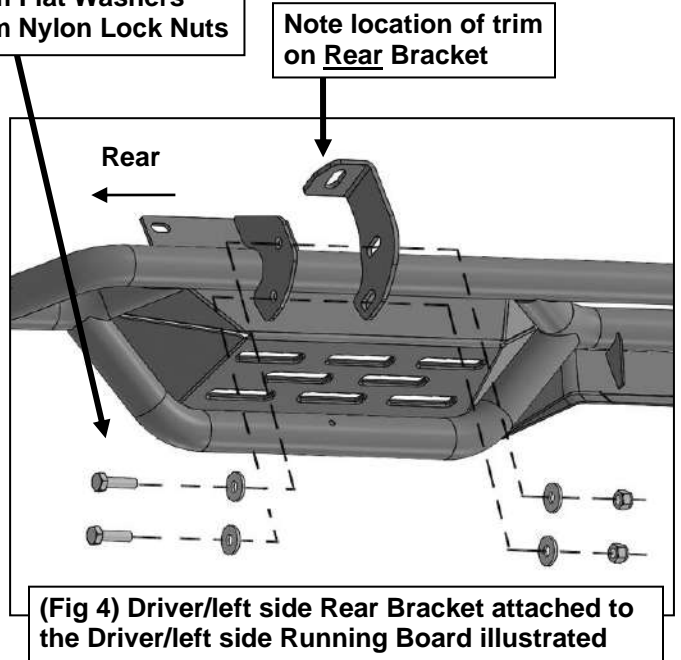
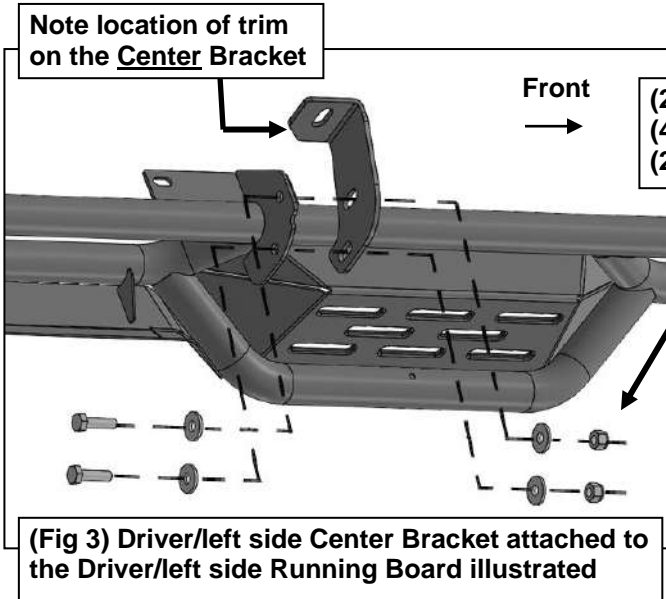
3. Repeat **Step 2** to attach the Driver/left side Center and Rear Brackets to the front side of the welded brackets on the Running Board, (**Figures 3 & 4**). **NOTE:** The Center and Rear Brackets look similar but each one is unique. Pay close attention to the location of the trimmed corners on the Brackets, (**Figure 2**).
4. With assistance, position the mounting plates on the Running Board with the attached Mounting Brackets up to the **back** of the pinch weld. Line up the (3) mounting plates on the Running Board with the (3) pairs of holes on the pinch weld, (**Figures 5—7**).
5. Secure the Running Board to the **back** of the pinch weld using (6) 6mm Hex Bolts, (12) 6mm Flat Washers and (6) 6mm Nylon Lock Nuts, (**Figures 8—10**). **NOTE:** Insert bolts from the outside of the pinch weld and through the mounting plate.
6. Bolt the tab on the Mounting Brackets to the threaded inserts in the frame with (3) 8mm x 35mm Hex Bolts, (3) 8mm Lock Washers and (3) 8mm x 28mm Large Flat Washers, (**Figures 11—14**). Do not tighten hardware at this time.
7. Level and adjust the Running Board and tighten all hardware.
8. Repeat **Steps 2—7** for Passenger/right side Running Board installation.
9. Do periodic inspections to the installation to make sure that all hardware is secure and tight.

**To protect your investment**, wax this product after installing. Regular waxing is recommended to add a protective layer over the finish. Do not use any type of polish or wax that may contain abrasives that could damage the finish. Mild soap may be used to clean the Running Board.

### Driver Side Installation Pictured

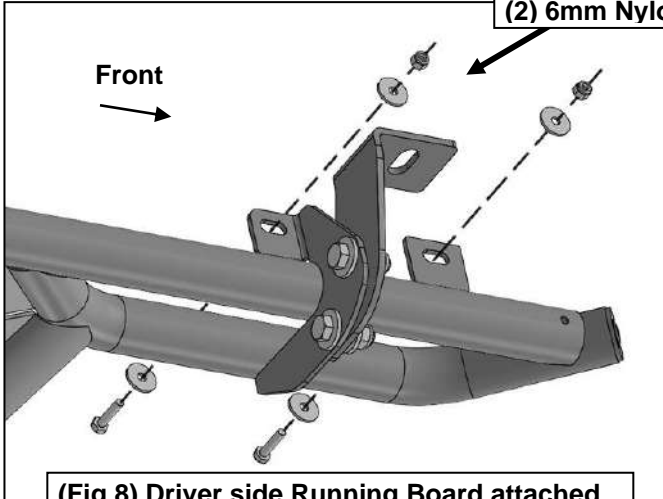


### Driver Side Installation Pictured

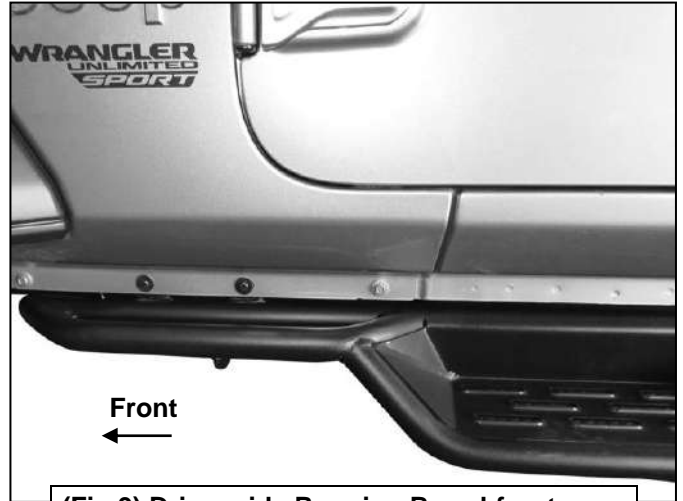


### Driver Side Installation Pictured

- (2) 6mm Hex Bolts
- (4) 6mm Flat Washers
- (2) 6mm Nylon Lock Nuts

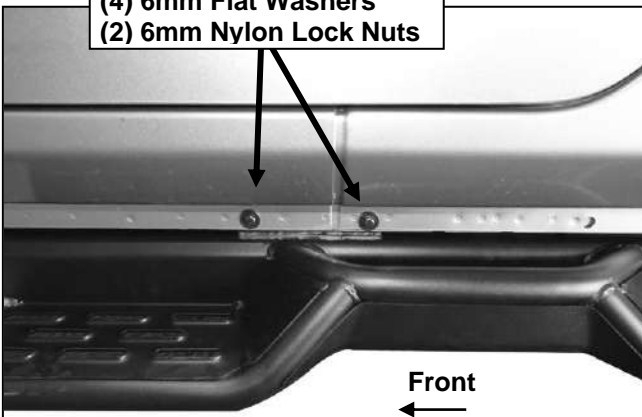


(Fig 8) Driver side Running Board attached to the back side of the pinch weld illustrated

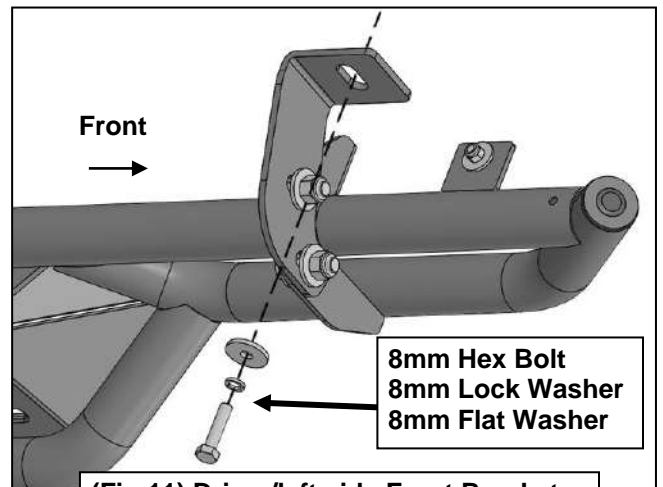


(Fig 9) Driver side Running Board-front attached to the back side of the pinch weld

- (2) 6mm Hex Bolts
- (4) 6mm Flat Washers
- (2) 6mm Nylon Lock Nuts



(Fig 10) Driver/left side Running Board-center attached to the back side of the pinch weld

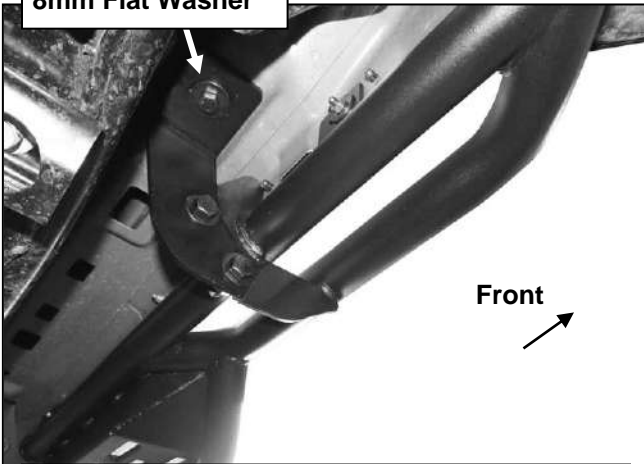


- 8mm Hex Bolt
- 8mm Lock Washer
- 8mm Flat Washer

(Fig 11) Driver/left side Front Bracket attached to threaded insert on frame

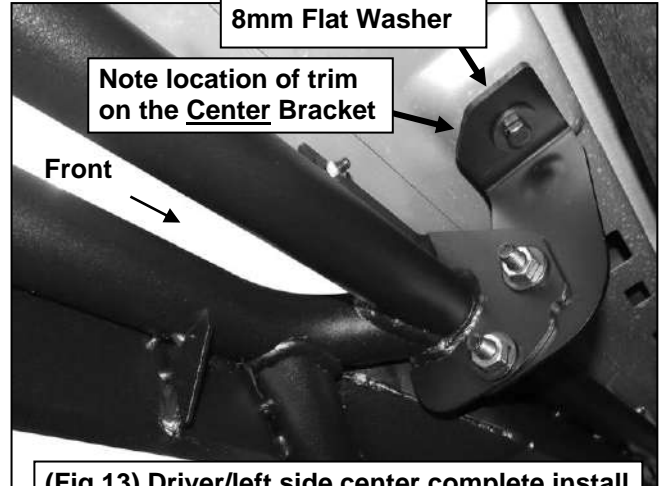
### Driver Side Installation Pictured

8mm Hex Bolt  
8mm Lock Washer  
8mm Flat Washer



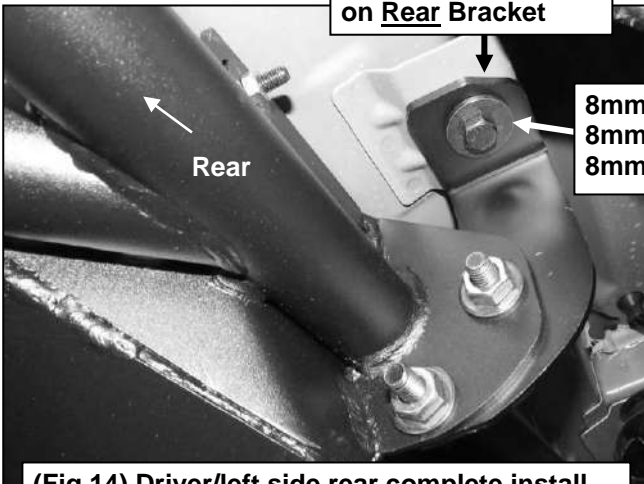
(Fig 12) Driver/left side front complete install

8mm Hex Bolt  
8mm Lock Washer  
8mm Flat Washer



(Fig 13) Driver/left side center complete install

Note location of trim  
on Rear Bracket



8mm Hex Bolt  
8mm Lock Washer  
8mm Flat Washer

(Fig 14) Driver/left side rear complete install



Complete  
Installation