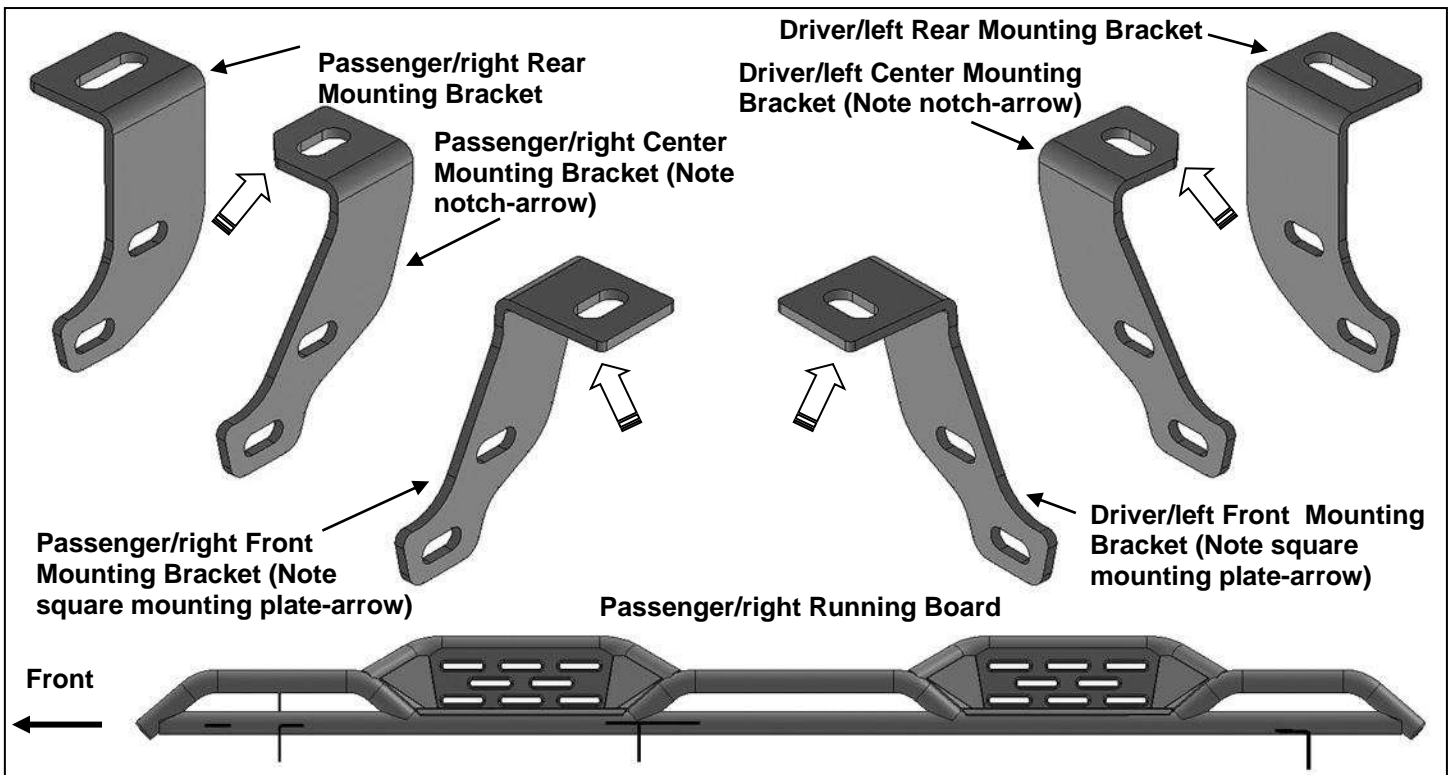


Parts List

| | | | |
|---|---|----|--------------------------------|
| 1 | Driver/Left Running Board | 12 | 10-1.5mm x 35mm Hex Bolts |
| 1 | Passenger/Right Running Board | 24 | 10mm x 27mm x 3mm Flat Washers |
| 1 | Driver/Left Front Mounting Bracket | 12 | 10mm Nylon Lock Nuts |
| 1 | Passenger/Right Front Mounting Bracket | 6 | 8-1.25mm x 35mm Hex Bolts |
| 1 | Driver/Left Center Mounting Bracket | 6 | 8mm x 28mm x 3mm Flat Washers |
| 1 | Passenger/Right Center Mounting Bracket | 6 | 8mm Lock Washers |
| 1 | Driver/Left Rear Mounting Bracket | 10 | 6-1.0mm x 25mm Hex Bolts |
| 1 | Passenger/Right Rear Mounting Bracket | 20 | 6mm x 22mm x 2mm Flat Washers |
| | | 10 | 6mm Nylon Lock Nuts |



PROCEDURE:

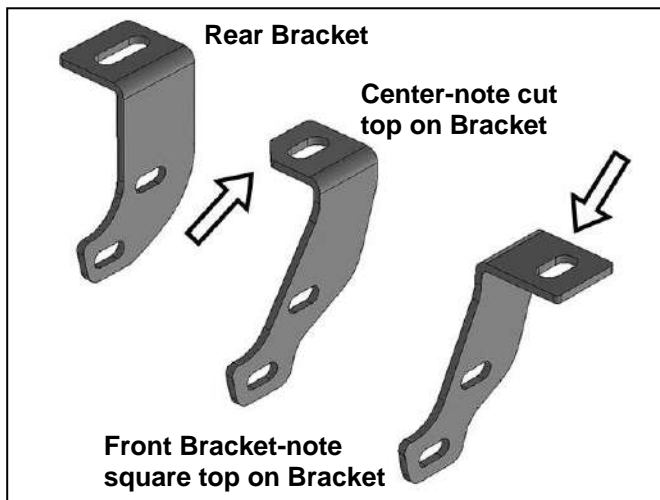
REMOVE CONTENTS FROM BOX. VERIFY ALL PARTS ARE PRESENT. READ INSTRUCTIONS CAREFULLY BEFORE STARTING INSTALLATION. FACTORY INSTALLED OR AFTERMARKET "ROCK RAILS," SIDE STEPS OR RUNNING BOARDS MUST BE REMOVED.

1. Select the passenger/right front Mounting Bracket, **(Figure 1)**. **IMPORTANT:** Front and center Mounting Brackets look very similar but are unique. Use **Figure 1** to properly identify all Brackets.
2. Start installation toward the front of the passenger/right side of the vehicle. Locate the factory threaded mounting hole in the bottom of the floor, **(Figure 2)**.
3. Attach the top of the passenger/right front Bracket to the threaded hole in the bottom of the floor panel with the included (1) 8mm Hex Bolt, (1) 8mm Lock Washer and (1) 8mm Flat Washer, **(Figure 3)**. Leave hardware loose at this time.
4. Move to the #2 center mounting location, **(Figure 4)**. Select the passenger/right Center Mounting Bracket, **(Figure 1)**. Repeat **Step 4** to install the Center Bracket, **(Figure 5)**. **NOTE:** The top of the center Mounting Bracket features a cut off corner for identification purposes.

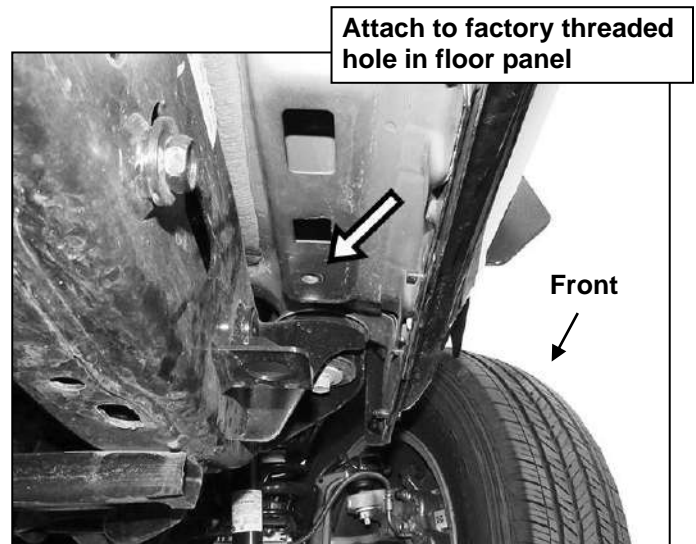
5. Move to the last mounting location toward the rear of the cab, **(Figure 6)**. Select the passenger/right rear Mounting Bracket, **(Figure 1)**. Repeat **Step 4** to install the passenger/right rear Bracket, **(Figure 7)**.
6. Select the passenger/right Running Board. With assistance, carefully line up the mounting tabs on the top of the Running Board with the back of the pinch weld. Attach the Running Board to the back of the pinch weld with the included (5) 6mm x 25mm Hex Bolts, (10) 6mm Flat Washers and (5) 6mm Nylon Lock Nuts, **(Figure 8)**. Do not tighten hardware at this time.
7. Next, attach the (3) mounting tabs on the passenger/right Running Board to the back of the (3) Mounting Brackets with the included (6) 10mm x 35mm Hex Bolts, (12) 10mm Flat Washers and (6) 10mm Nylon Lock Nuts, **(Figure 9)**. Do not fully tighten hardware.
8. Adjust and level the Running Board and fully tighten all hardware.
9. Repeat **Steps 2—9** for driver/left Running Board installation.
10. Do periodic inspections to the installation to make sure that all hardware is secure and tight.

To protect your investment, Do not use any type of polish or wax that may contain abrasives that could damage the finish. Mild soap may be used to clean the Running Board.

Passenger/right Installation Pictured

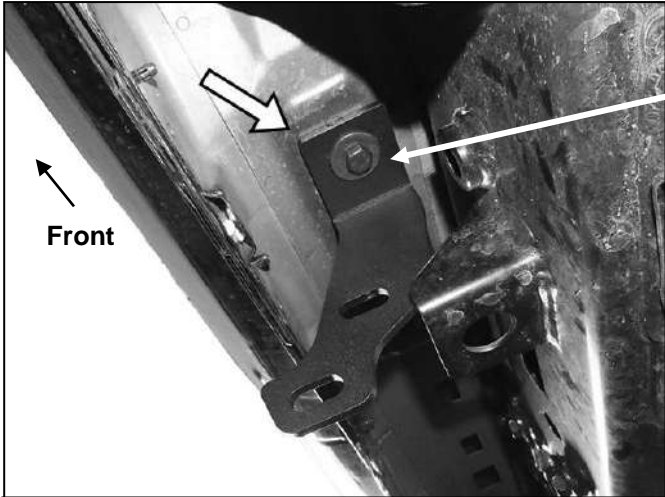


(Fig 1) Passenger/right Mounting Brackets



(Fig 2) Passenger/right front Mounting Location

Passenger/right Installation Pictured

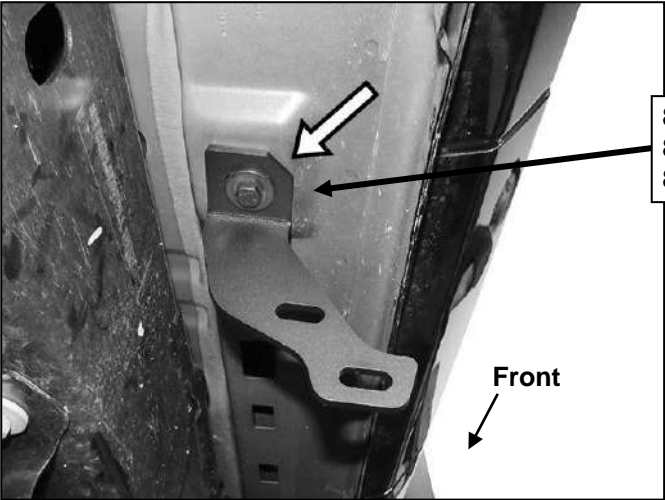


8mm x 35mm Hex Bolt
8mm Lock Washer
8mm Flat Washer

(Fig 3) Passenger/right front Mounting Bracket installed-note square top on Bracket

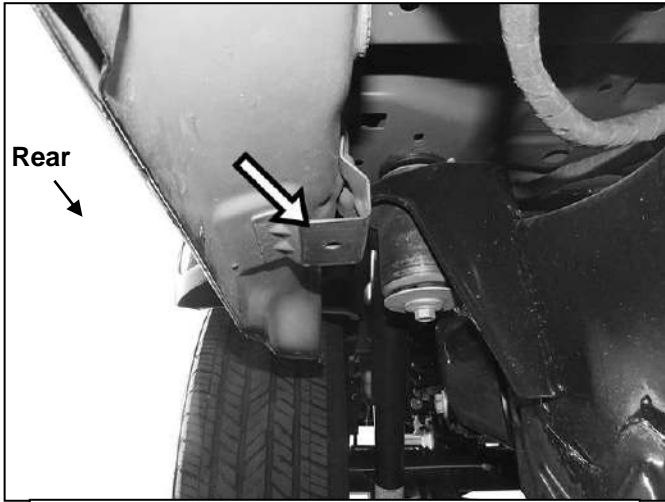


(Fig 4) Passenger/right center mounting location



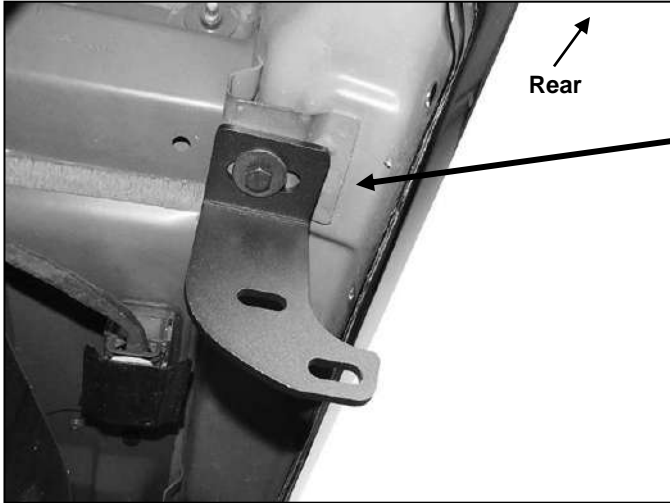
8mm x 35mm Hex Bolt
8mm Lock Washer
8mm Flat Washer

(Fig 5) Attach passenger/right center Bracket-note cut off corner on top of Bracket



(Fig 6) Passenger/right rear mounting location

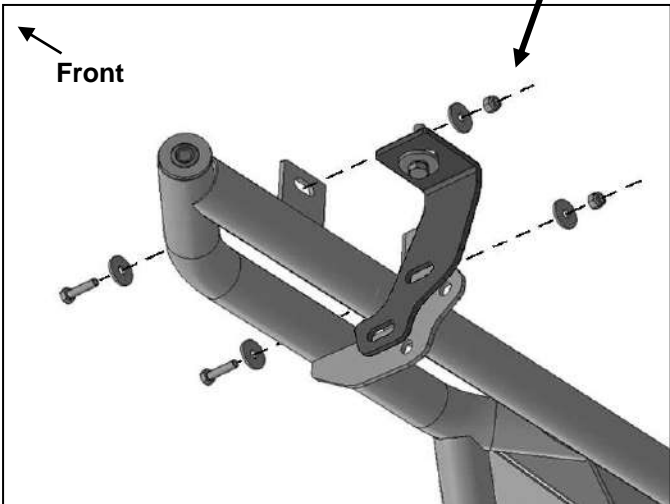
Passenger/right Installation Pictured



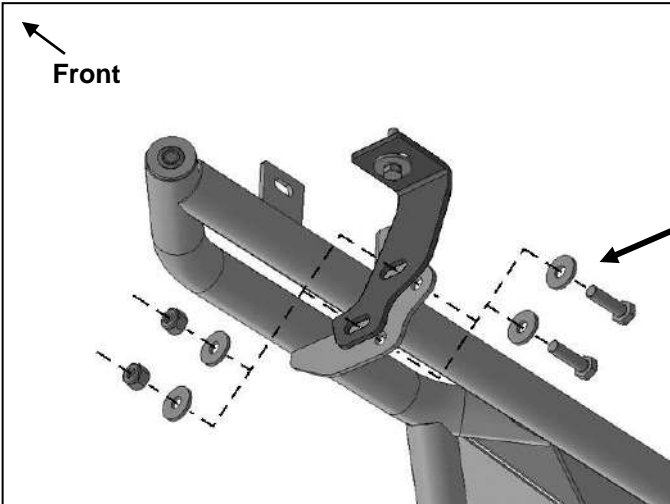
8mm x 35mm Hex Bolt
8mm Lock Washer
8mm Flat Washer

6mm x 25mm Hex Bolt
(2) 6mm Flat Washers
6mm Nylon Lock Nut

(Fig 7) Passenger/right rear Bracket installed



(Fig 8) Attach (5) mounting tabs on top of passenger/right Running Board to the back of the pinch weld along bottom of body



(2) 10mm x 35mm Hex Bolts
(4) 10mm Flat Washers
(2) 10mm Nylon Lock Nuts

(Fig 9) Attach passenger/right Running Board to the back of the Mounting Brackets



Complete Installation