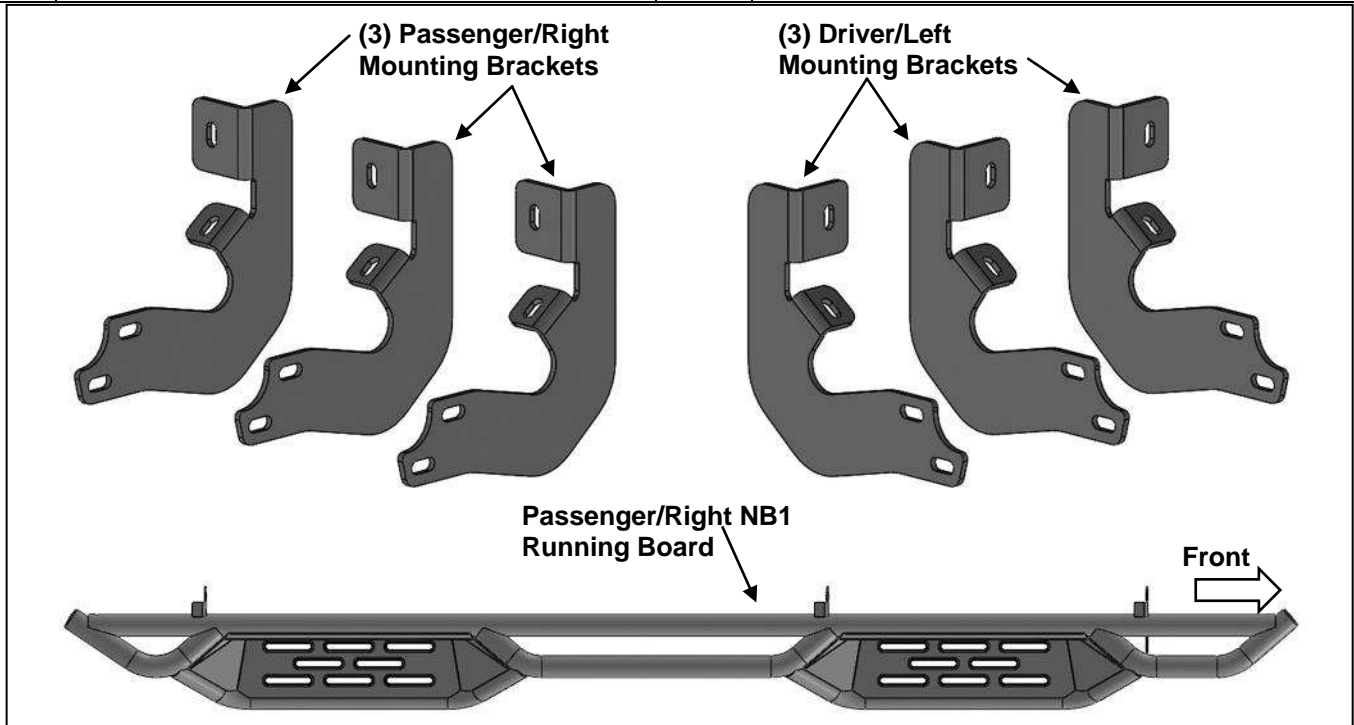


PARTS LIST:

1	Driver/Left NB1 Running Board	12	10mm Nylon Lock Nuts
1	Passenger/Right NB1 Running Board	12	8-1.25mm x 30mm Hex Bolts
3	Driver/Left Mounting Brackets	12	8mm x 24mm OD x 2mm Flat Washers
3	Passenger/Right Mounting Brackets	12	8mm Lock Washers
12	10-1.5mm x 35mm Hex Bolts	6	8mm Nylon Lock Nuts
24	10mm x 27mm OD x 3mm Flat Washers		



PROCEDURE:

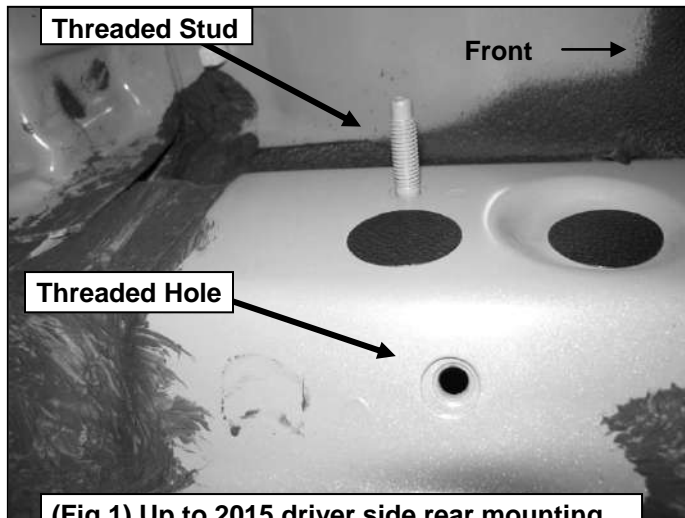
REMOVE CONTENTS FROM BOX. VERIFY ALL PARTS ARE PRESENT. READ INSTRUCTIONS CAREFULLY BEFORE STARTING INSTALLATION.

- Start installation at the front of the Passenger/Right of the vehicle and locate the factory threaded holes or stud located on the side of the inner body panel, (**Figures 1 & 2**). There are (4) mounting locations along the body panel. Bracket installation will use the 1st, 2nd and 4th mounting locations. **NOTE:** Remove the plastic plug or any insulation on the side panel to locate the threaded holes.
- Select (1) Passenger/Right Mounting Bracket. Attach the Bracket to the mounting location with:
 - Models with threaded stud:** Attach the Bracket to stud with (1) 8mm Flat Washer and (1) 8mm Nylon Lock Nut. Next, use (1) 8mm Hex Bolt, (1) 8mm Lock Washer and (1) 8mm Flat Washer to attach the Bracket to the threaded insert hole on the body panel, (**Figure 4**). Do not tighten hardware.
 - Models without threaded stud:** Attach the Mounting Bracket to the threaded holes with (2) 8mm Hex Bolts, (2) 8mm Lock Washers and (2) 8mm Flat Washers, (**Figure 3**). Do not tighten hardware.
- Repeat **Steps 1 & 2** to install the center and rear Mounting Brackets.
- Carefully unwrap and select the Passenger/Right NB1 Running Board. Attach the Running Board to the front faces of the Mounting Brackets with (6) 10mm Hex Bolts, (12) 10mm Flat Washers and (6) 10mm Nylon Lock Nuts, (**Figures 4 & 5**). Do not tighten hardware.
- Level and adjust the Running Board and tighten all hardware.

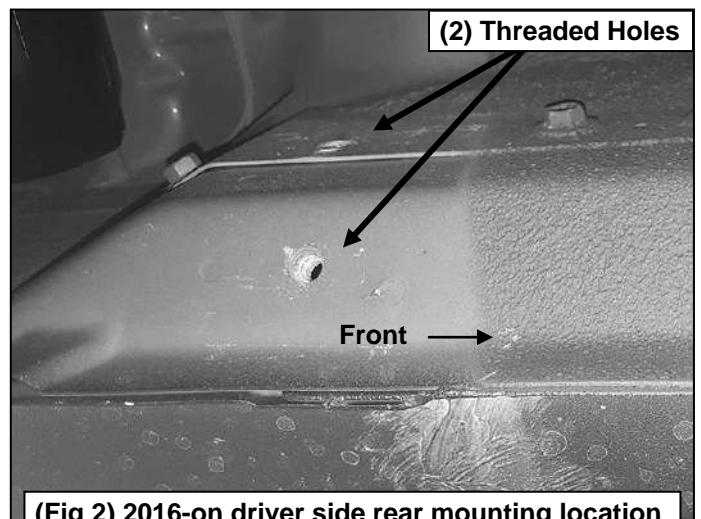
6. Repeat **Steps 1—5** to attach the Driver/Left NB1 Running Board.
7. Do periodic inspections of the installation to make sure that all hardware is secure and tight.

To protect your investment, Do not use any type of polish or wax that may contain abrasives that could damage the finish. Mild soap may be used to clean the Running Boards.

Passenger/Right Side Installation Pictured

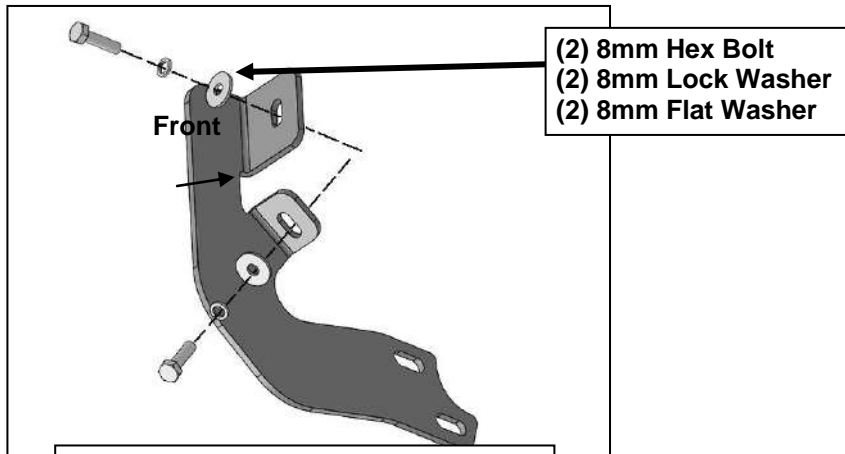


(Fig 1) Up to 2015 driver side rear mounting location pictured. Note: Remove plastic plugs to locate factory threaded holes

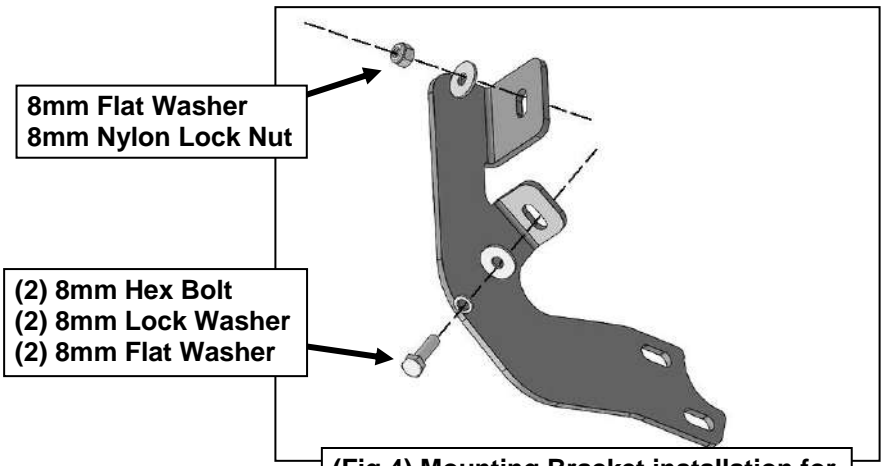


(Fig 2) 2016-on driver side rear mounting location pictured. Note: two factory threaded holes only

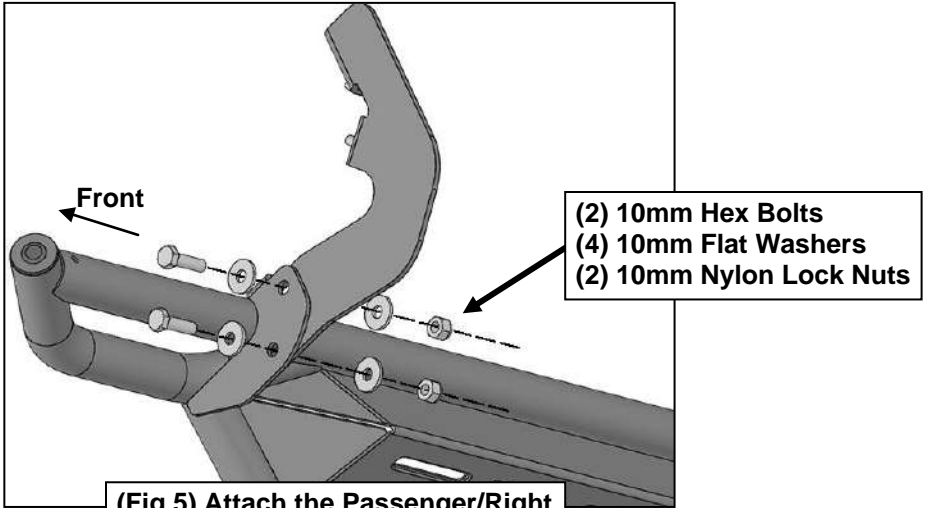
Passenger/Right Side Installation Pictured



(Fig 3) Mounting Bracket installation for (2) threaded holes in rocker panel



(Fig 4) Mounting Bracket installation for threaded stud and hole in rocker panel



(Fig 5) Attach the Passenger/Right Running Board to the front faces of the Mounting Brackets