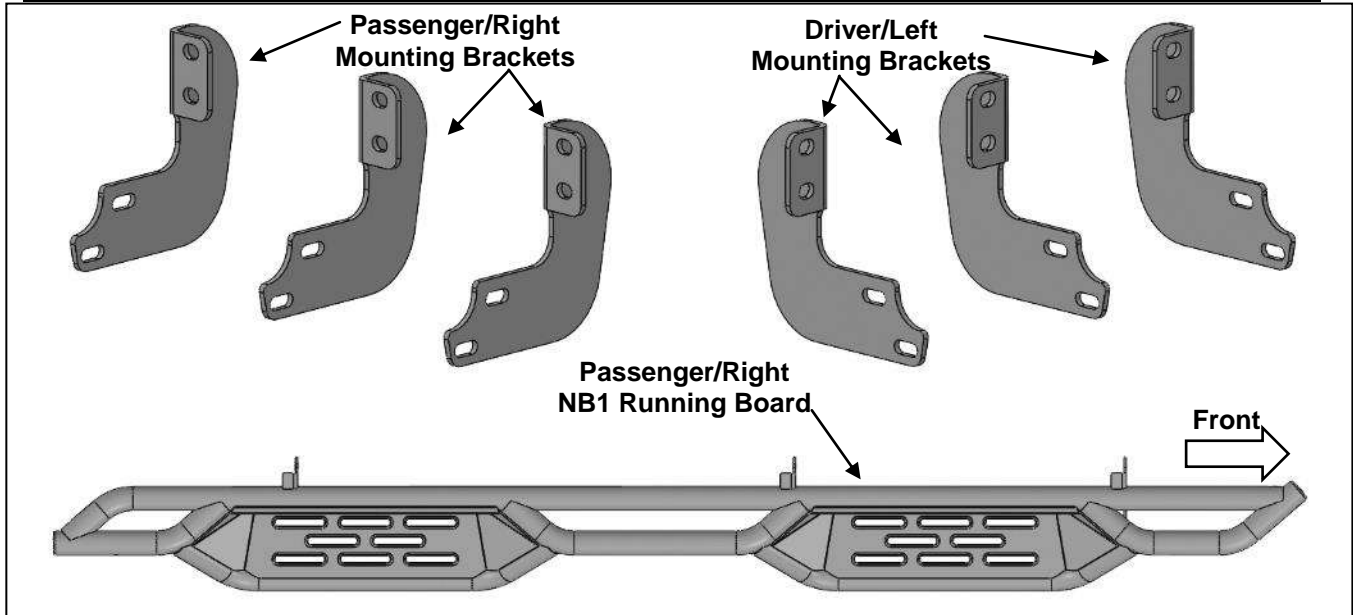


PARTS LIST:

1	Driver/Left NB1 Running Board	24	10mm x 27mm OD x 3mm Flat Washers
1	Passenger/Right NB1 Running Board	12	10mm Nylon Lock Nuts
3	Driver/Left Mounting Brackets	12	8mm x 24mm OD x 2mm Flat Washers
3	Passenger/Right Mounting Brackets	12	8mm Flanged Nuts
12	10-1.5mm x 35mm Hex Bolts		



PROCEDURE:

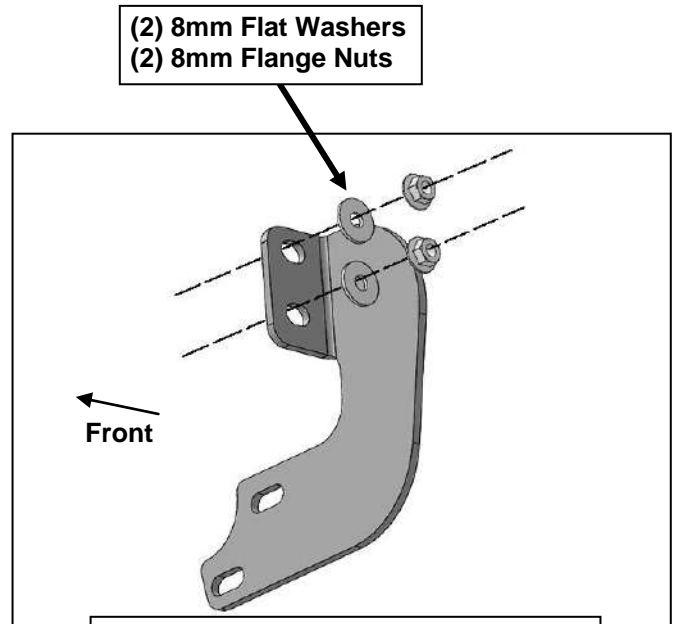
1. REMOVE CONTENTS FROM BOX. VERIFY ALL PARTS ARE PRESENT. READ INSTRUCTIONS CAREFULLY. CLEAN MOUNTING STUDS WITH WIRE BRUSH TO REMOVE PAINT AND DEBRIS.
2. Starting on the Passenger/Right side front of the vehicle, (**Figure 1**). Attach (1) Passenger/Right Mounting Bracket to the front location with (2) 8mm Flat Washers and (2) 8mm Flange Nuts, (**Figures 2 & 3**). Do not tighten hardware at this time.
3. Repeat **Step 2** to attach the remaining Passenger/Right Mounting Brackets to the center and rear locations, (**Figures 4—7**). Do not tighten hardware at this time.
4. Select the Passenger/Right NB1 Running Board. Attach Running Board to the front faces of the Mounting Brackets with (6) 10mm Hex Bolts, (12) 10mm Flat Washers and (6) 10mm Nylon Lock Nuts, (**Figures 8 & 9**). Do not tighten hardware at this time.
5. Level and adjust the Running Board and tighten all hardware.
6. Repeat **Steps 1—5** to attach the Driver/Left NB1 Running Board.
7. Do periodic inspections to the installation to make sure that all hardware is secure and tight.

To protect your investment, Do not use any type of polish or wax that may contain abrasives that could damage the finish. Mild soap may be used to clean the NB1 Running Board.

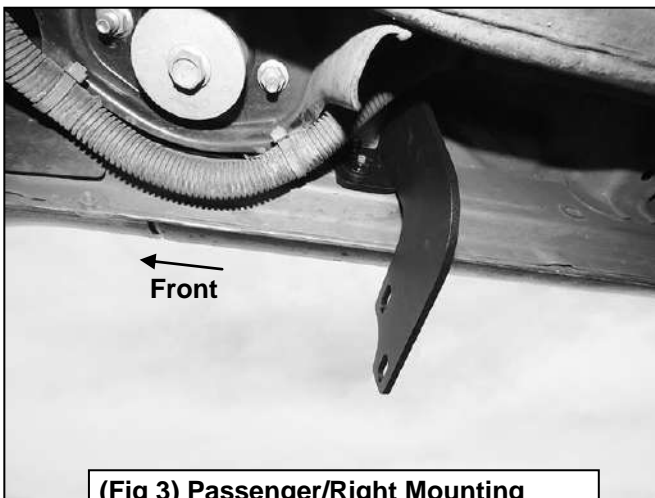
Passenger/Right Side Installation Pictured



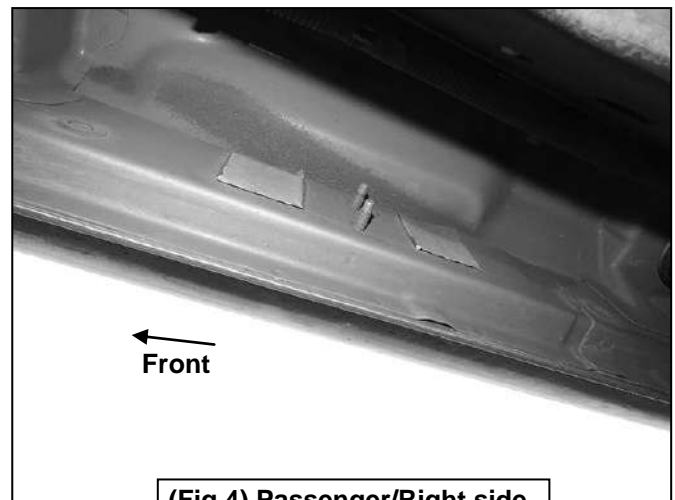
(Fig 1) Passenger/Right side front mounting location



(Fig 2) Attach (1) Passenger/Right Mounting Bracket to the front location



(Fig 3) Passenger/Right Mounting Bracket attached to the front location

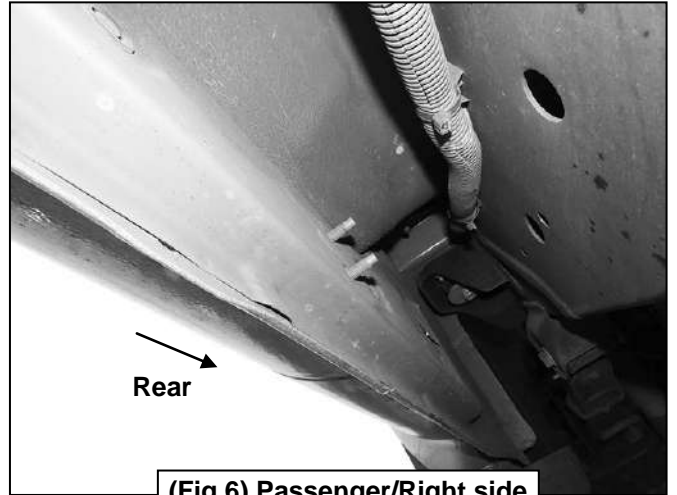


(Fig 4) Passenger/Right side center mounting location

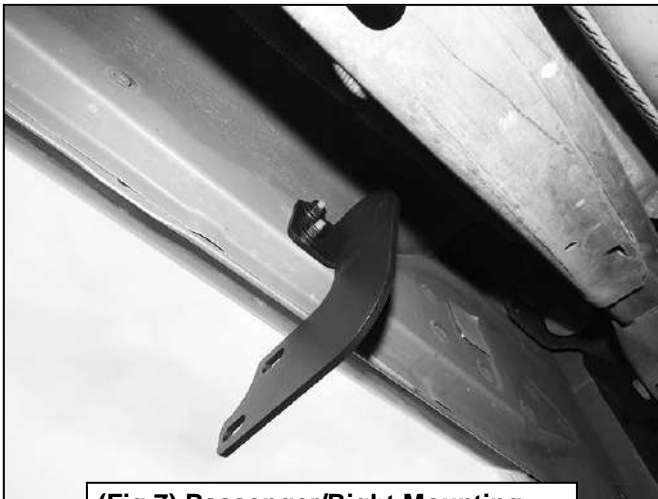
Passenger/Right Side Installation Pictured



(Fig 5) Passenger/Right Mounting Bracket attached to the center location

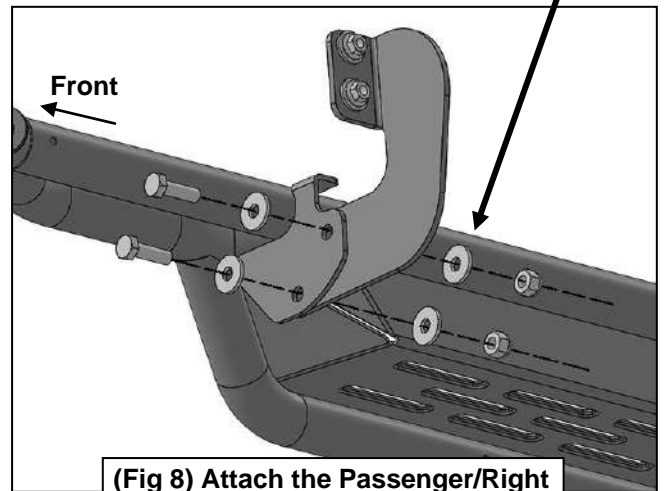


(Fig 6) Passenger/Right side rear mounting location

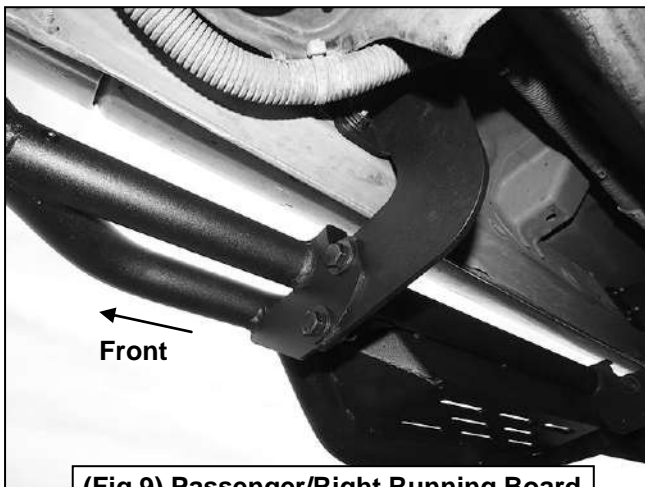


(Fig 7) Passenger/Right Mounting Bracket attached to the rear location

- (2) 10mm Hex Bolts
- (4) 10mm Flat Washers
- (2) 10mm Nylon Lock Nuts



(Fig 8) Attach the Passenger/Right Running Board to the front faces of the Mounting Brackets



(Fig 9) Passenger/Right Running Board attached to the Front Mounting Bracket