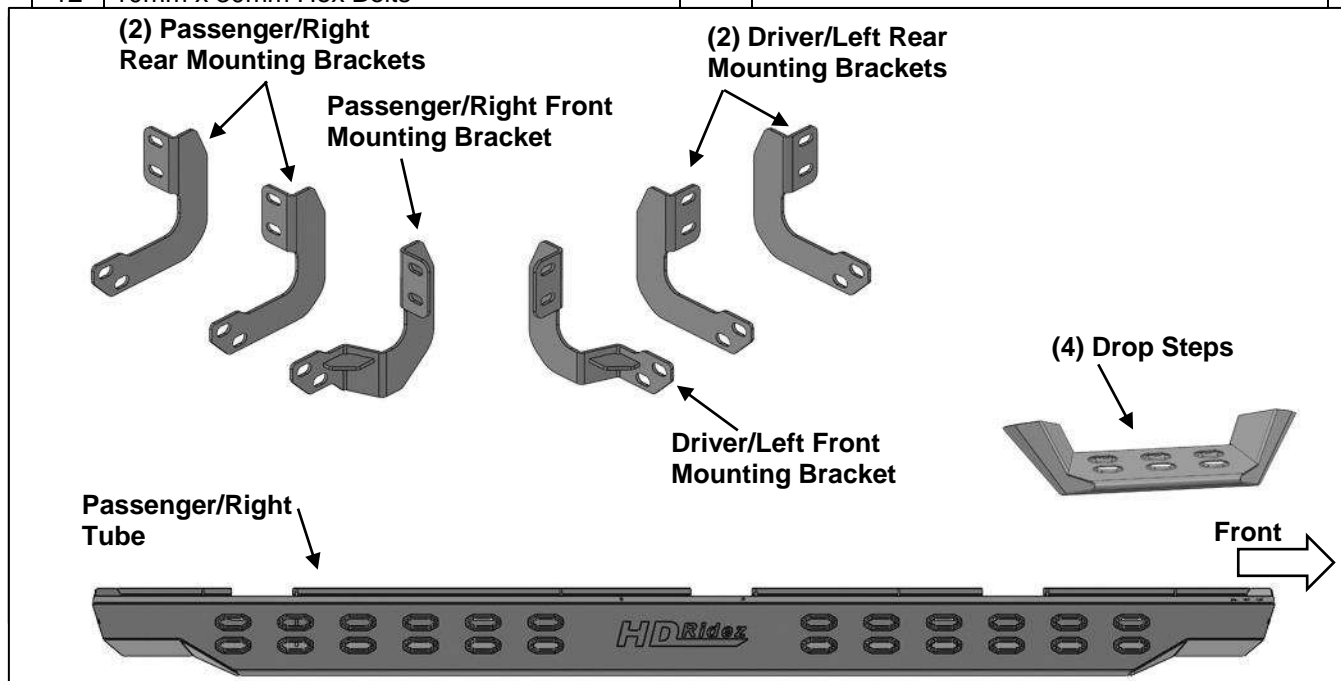


PARTS LIST:

1	Driver/Left Tube	24	10mm x 20mm OD x 2mm Flat Washers
1	Passenger/Right Tube	12	10mm Nylon Lock Nuts
4	Drop Steps	8	8mm Triangle Double Bolt Plates
1	Driver/Left Front Mounting Bracket	12	8mm x 24mm OD x 2mm Flat Washers
1	Passenger/Right Front Mounting Bracket	16	8mm x 22mm OD x 2mm Flat Washers
2	Driver/Left Rear Mounting Brackets	16	8mm Nylon Lock Nuts
2	Passenger/Right Rear Mounting Brackets	12	8mm Serrated Flange Nuts
12	10mm x 30mm Hex Bolts		

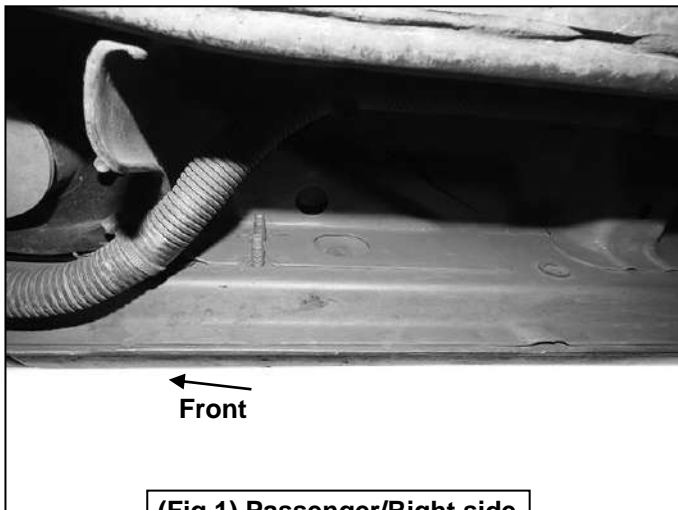


PROCEDURE:

- 1. REMOVE CONTENTS FROM BOX. VERIFY ALL PARTS ARE PRESENT. READ INSTRUCTIONS CAREFULLY. CLEAN MOUNTING STUDS WITH WIRE BRUSH TO REMOVE PAINT AND DEBRIS.**
- Starting on the Passenger/Right front of the vehicle, **(Figure 1)**. Attach (1) Mounting Bracket to the front location with (2) 8mm Flat Washers and (2) 8mm Flange Nuts, **(Figure 2)**. Do not tighten hardware.
- Repeat **Step 2** to attach (2) Mounting Brackets to the Passenger/Right center and rear locations, **(Figure 3)**.
- Select the Passenger/Right Tube. Insert (2) 8mm Triangle Double Bolt Plates into the front (2) sets of (2) holes, **(Figure 4)**. Attach (1) Drop Step to the (2) Double Bolt Plates with (4) 8mm x 22mm Flat Washers and (4) 8mm Nylon Lock Nuts, **(Figure 5)**. Do not tighten hardware.
- With assistance, line up the mounting tabs in the Passenger/Right Tube to the rear faces of the Mounting Brackets. Secure the Tube to the Mounting Brackets with (6) 10mm Hex Bolts, (12) 10mm x 20mm Flat Washers and (6) 10mm Nylon Lock Nuts, **(Figure 6)**. Do not tighten hardware.
- Level and adjust the Overland Step, then tighten all hardware.
- Repeat **Steps 1—6** to attach the Driver/Left Overland Step.
- Do periodic inspections to the installation to make sure that all hardware is secure and tight.

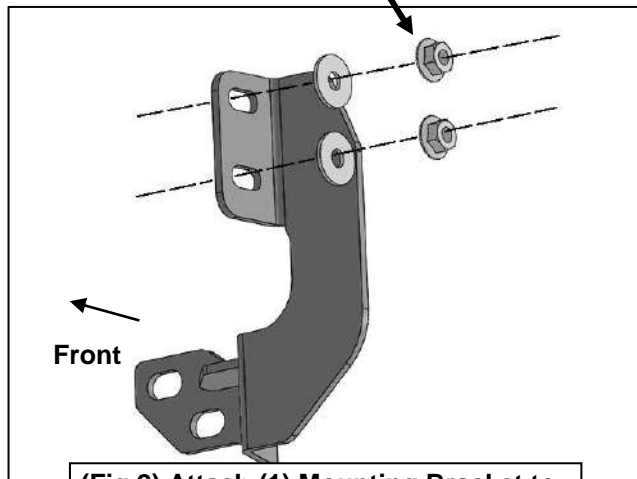
To protect your investment, Do not use any type of polish or wax that may contain abrasives that could damage the finish. Mild soap may be used to clean the Overland Sliders.

Passenger/Right Side Installation Pictured

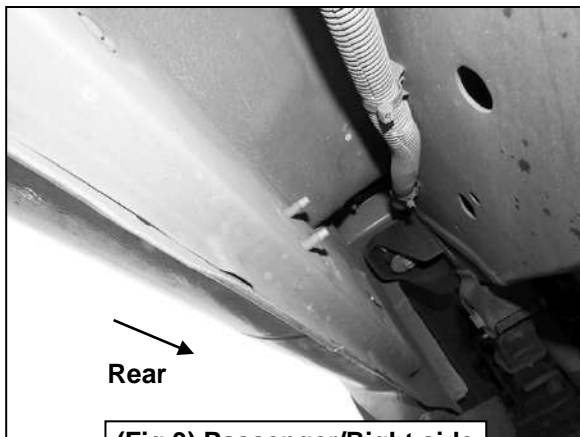


(Fig 1) Passenger/Right side front mounting location

- (2) 8mm Flat Washers
- (2) 8mm Flange Nuts

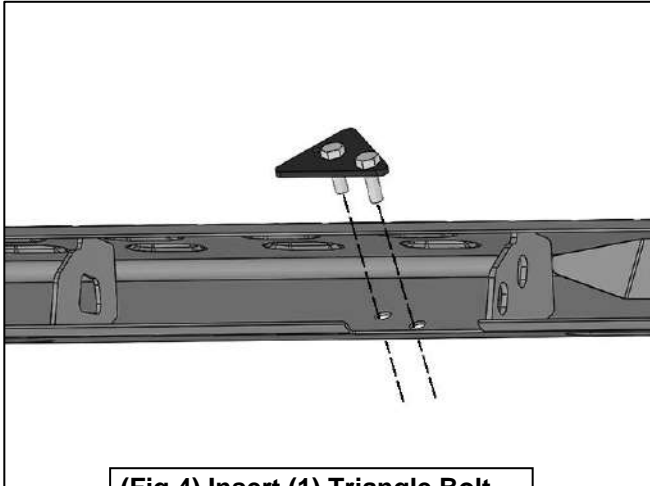


(Fig 2) Attach (1) Mounting Bracket to the Passenger/Right front location



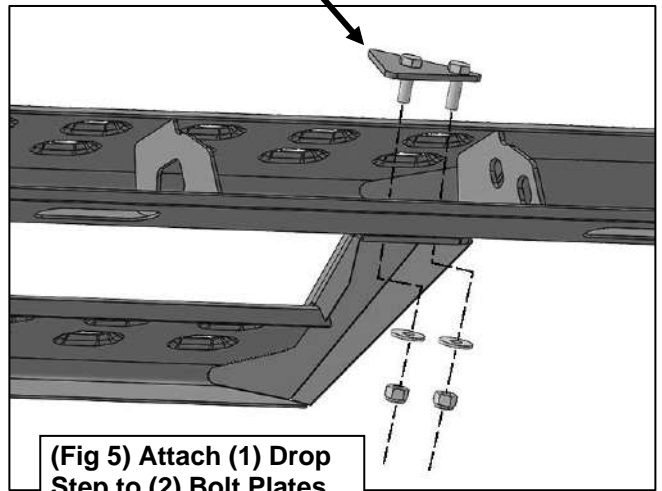
(Fig 3) Passenger/Right side rear mounting location

Passenger/Right Side Installation Pictured

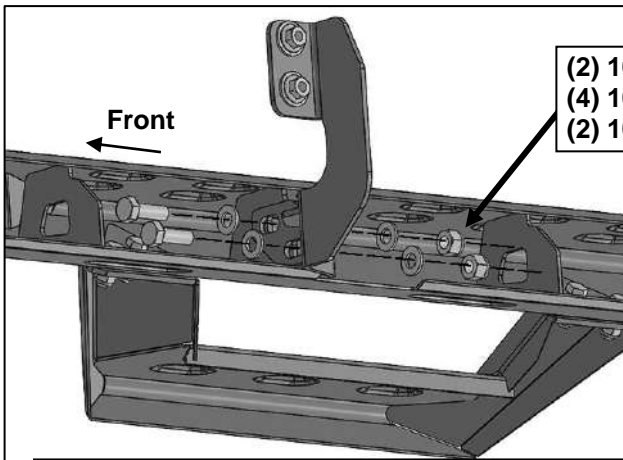


(Fig 4) Insert (1) Triangle Bolt Plate into the holes in the Tube

- 8mm Bolt Plate
- (2) 8mm x 22mm Flat Washers
- (2) 8mm Nylon Lock Nuts



(Fig 5) Attach (1) Drop Step to (2) Bolt Plates



- (2) 10mm Hex Bolts
- (4) 10mm Flat Washers
- (2) 10mm Nylon Lock Nuts

(Fig 6) Attach the Passenger/Right Overland Slider to the (3) Mounting Brackets