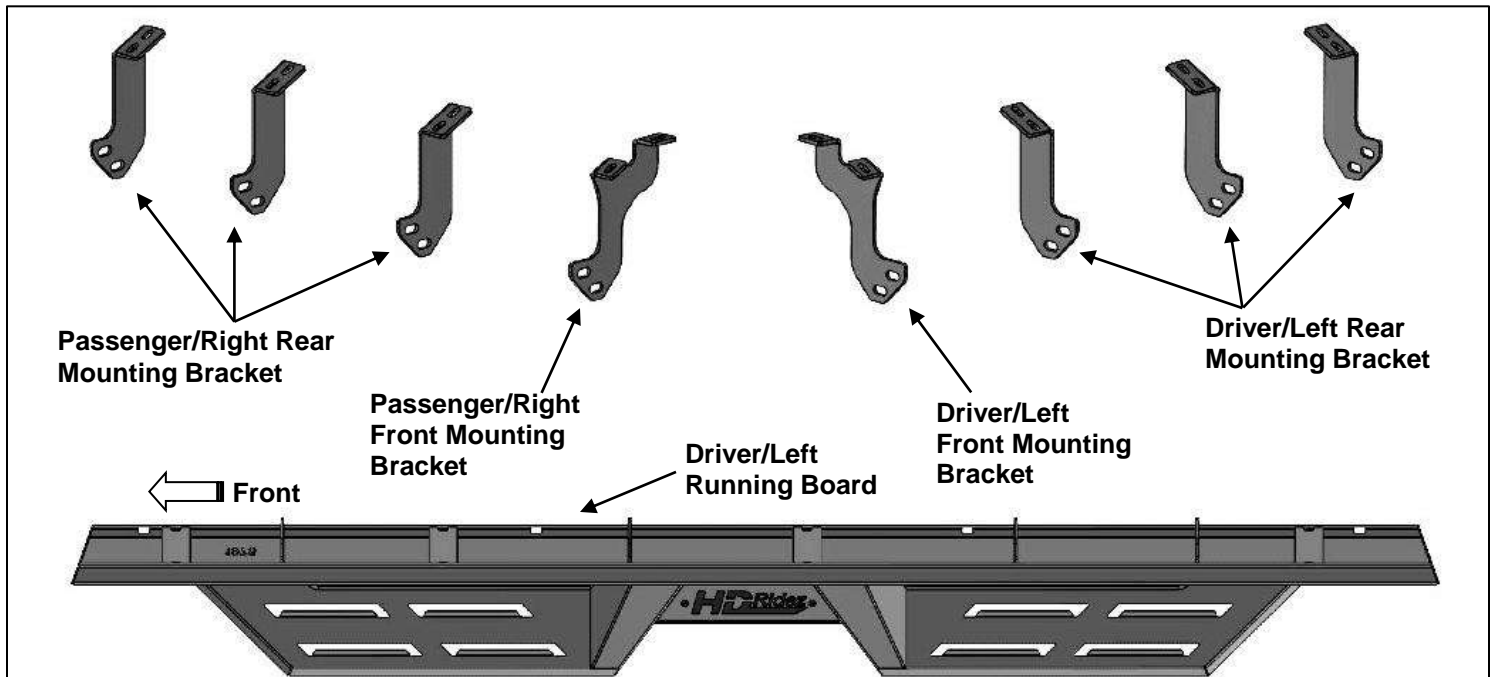


**PARTS LIST:**

1	Driver/Left Running Board	16	8mm x 30mm Hex Bolts
1	Passenger/Right Running Board	16	8mm Lock Washers
1	Driver/Left Front Mounting Bracket	16	8mm x 24mm OD x 2mm Flat Washers
1	Passenger/Right Front Mounting Bracket	32	10mm x 20mm x 2mm Flat Washers
3	Driver/Left Rear Mounting Bracket	16	10mm x 30mm Hex Bolts
3	Passenger/Right Rear Mounting Bracket	16	10mm Nylon Lock Nuts



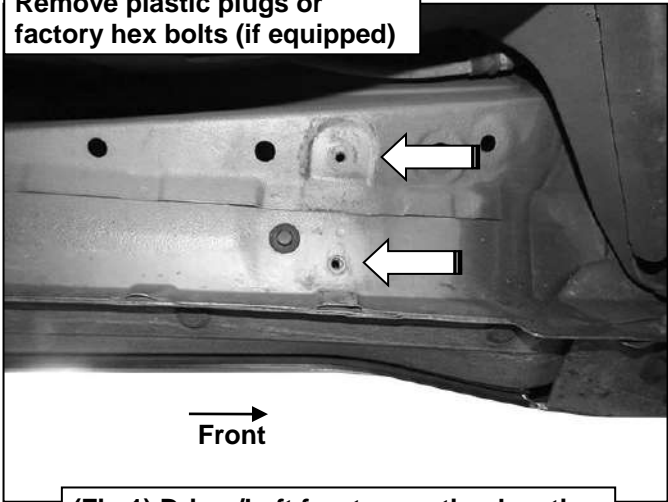
**PROCEDURE:**

1. REMOVE CONTENTS FROM BOX. VERIFY ALL PARTS ARE PRESENT. READ INSTRUCTIONS CAREFULLY. USE ILLUSTRATION TO IDENTIFY BRACKETS AND RUNNING BOARDS.
2. Starting on the Driver/Left front of the vehicle, remove the plastic plugs or hex bolts covering the (2) threaded holes in the floor panel, **(Figure 1)**.
3. Select Driver/Left Front Mounting Bracket, **(Figure 2)**. Attach the Bracket to the panel with (2) 8mm Hex Bolts, (2) 8mm Lock Washers and (2) 8mm Flat Washers, **(Figure 2)**. Do not tighten hardware.
4. Next, move to the second mounting location, **(Figure 3)**. Select (1) Driver/Left Rear Mounting Bracket. Repeat **Step 3** to attach the Bracket to the floor panel, **(Figure 4)**.
5. Continue to the rear mounting location, **(Figure 5 & 6)**. Repeat **Step 3** to attach (1) Driver/Left Rear Mounting Bracket to the 3rd and 4th mounting locations.
6. Select the Driver/Left Running Board. Attach the Running Board to the rear faces of the Mounting Brackets with (8) 10mm Hex Bolts, (16) 10mm Flat Washers and (8) 10mm Nylon Lock Nuts, **(Figure 7)**. Do not tighten hardware.
7. Level and adjust the Running Board and tighten all hardware.
8. Repeat **Steps 2—7** to attach the Passenger/Right Running Board.
9. Do periodic inspections to the installation to make sure that all hardware is secure and tight.

**To protect your investment,** Do not use any type of polish or wax that may contain abrasives that could damage the finish. Mild soap may be used to clean the Running Boards.

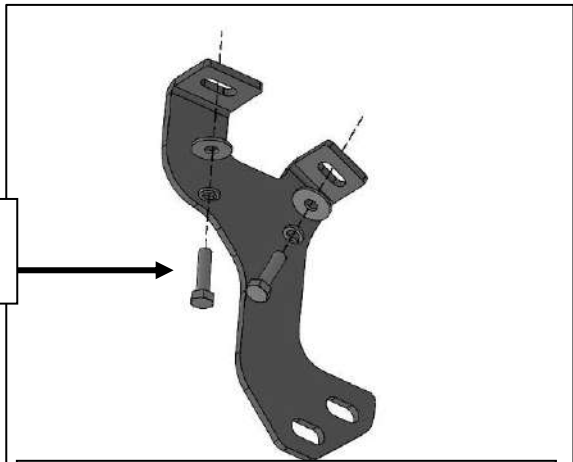
**Driver/Left Side Installation Pictured**

Remove plastic plugs or  
factory hex bolts (if equipped)

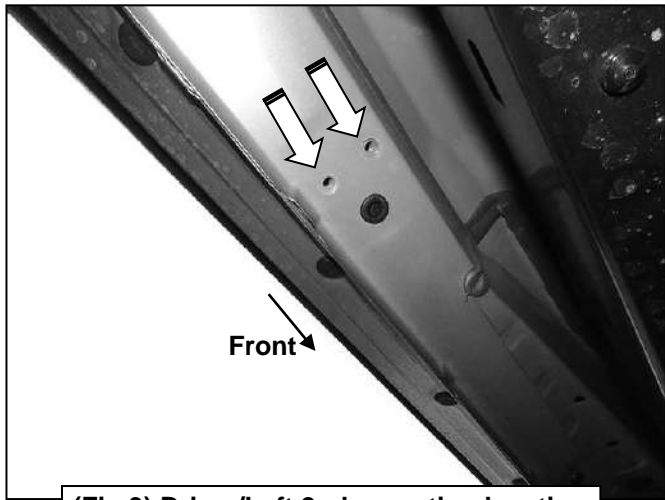


**(Fig 1) Driver/Left front mounting location**

- (2) 8mm Hex Bolts
- (2) 8mm Lock Washers
- (2) 8mm Flat Washers

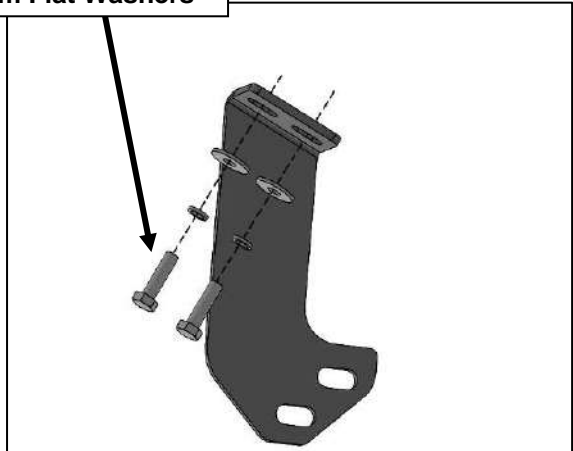


**(Fig 2) Attach Driver/Left Front Mounting Bracket to the floor panel**



**(Fig 3) Driver/Left 2nd mounting location**

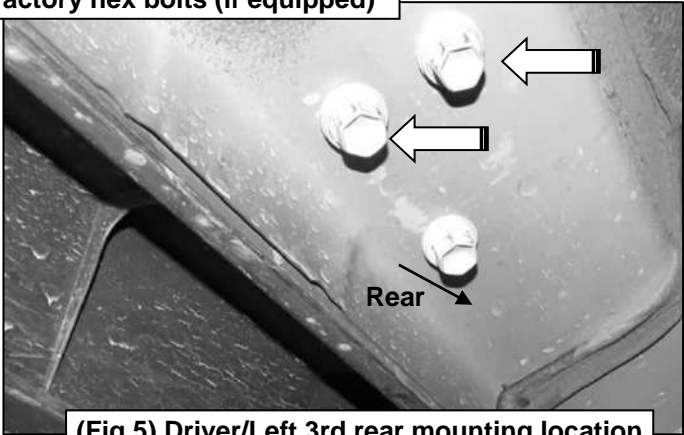
- (2) 8mm Hex Bolts
- (2) 8mm Lock Washers
- (2) 8mm Flat Washers



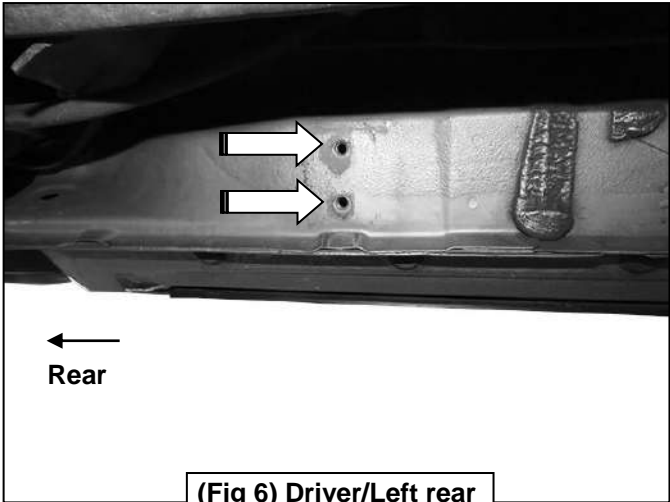
**(Fig 4) Attach Driver/Left Rear Mounting Bracket to the floor**

**Driver/Left Side Installation Pictured**

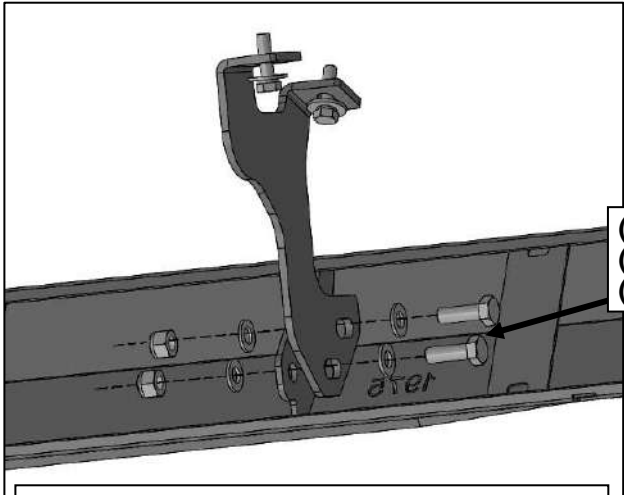
Remove plastic plugs or  
factory hex bolts (if equipped)



**(Fig 5) Driver/Left 3rd rear mounting location**



**(Fig 6) Driver/Left rear mounting location**



- (2) 10mm Hex Bolts
- (4) 10mm Flat Washers
- (2) 10mm Nylon Lock Nuts

**(Fig 7) Attach Driver/Left DS4 Running Board to the rear faces of the Mounting Brackets**