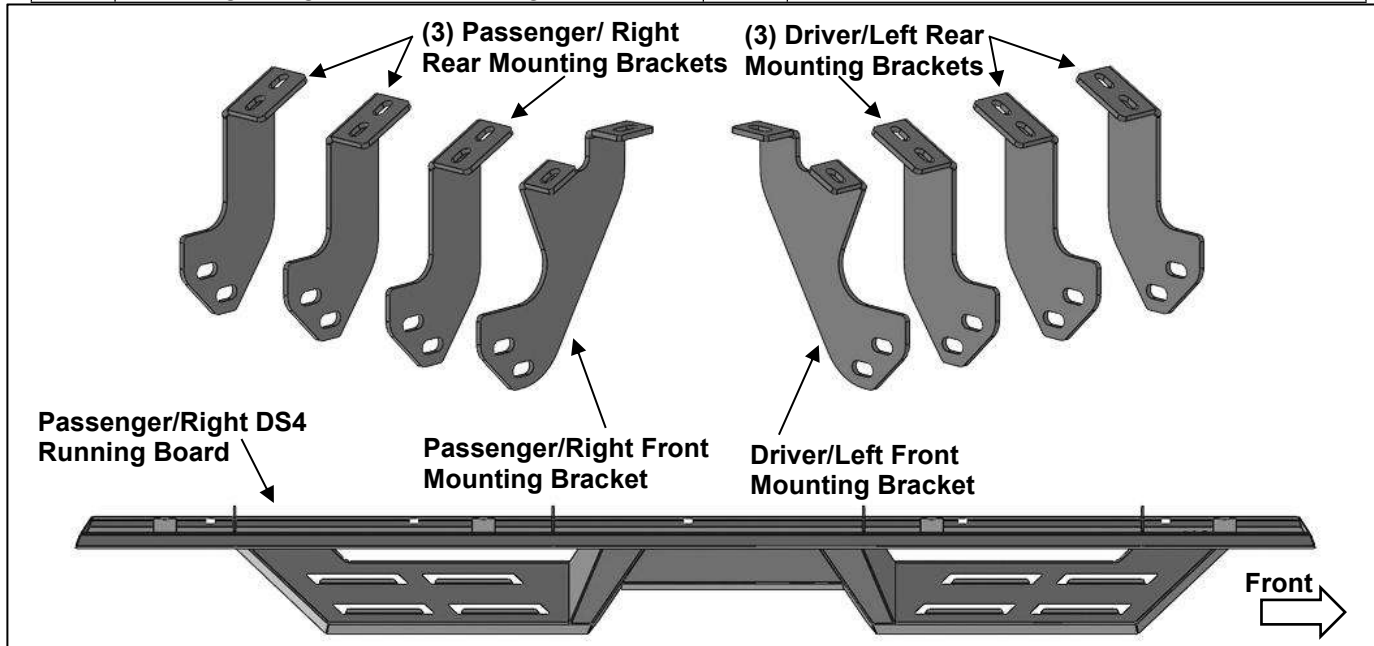


PARTS LIST:

1	Driver/Left DS4 Running Board	16	10mm x 30mm Hex Bolts
1	Passenger/Right DS4 Running Board	32	10mm x 20mm OD x 2mm Flat Washers
1	Driver/Left Front Mounting Bracket	16	10mm Nylon Lock Nuts
1	Passenger/Right Front Mounting Bracket	16	8mm x 30mm Hex Bolts
3	Driver/Left Rear Mounting Brackets	16	8mm Lock Washers
3	Passenger/Right Rear Mounting Brackets	16	8mm x 24mm OD x 2mm Flat Washers

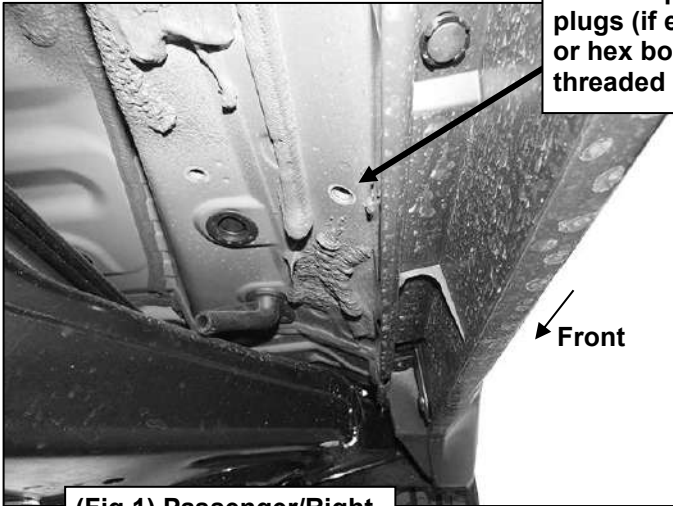


PROCEDURE:

- 1. REMOVE CONTENTS FROM BOX. VERIFY ALL PARTS ARE PRESENT. READ INSTRUCTIONS CAREFULLY. ASSISTANCE IS HIGHLY RECOMMENDED.**
- Starting on the Passenger/Right side of the vehicle and remove the plastic plugs or hex bolts from the factory mounting location along the bottom of the body, **(Figures 1 & 4)**.
- Select the Passenger/Right Front Mounting Bracket. Attach the Bracket to the front location with (2) 8mm Hex Bolts, (2) 8mm Lock Washers and (2) 8mm Flat Washers, **(Figures 2 & 3)**. Do not tighten hardware.
- Repeat **Steps 2 & 3** to attach the (3) Rear Mounting Brackets, **(Figures 4 & 5)**.
- Select the Passenger/Right DS4 Running Board. Attach the (4) mounting tabs on the Running Board to the rear faces of the (4) Mounting brackets with (8) 10mm Hex Bolts, (16) 10mm Flat Washers and (8) 10mm Nylon lock Nuts, **(Figure 6)**.
- Level and adjust the Running Board and tighten all hardware.
- Repeat **Steps 2—6** to attach the Driver/Left DS4 Running Board.
- Do periodic inspections to the installation to make sure that all hardware is secure and tight.

To protect your investment, Do not use any type of polish or wax that may contain abrasives that could damage the finish. Use only mild soap to clean the Running Boards.

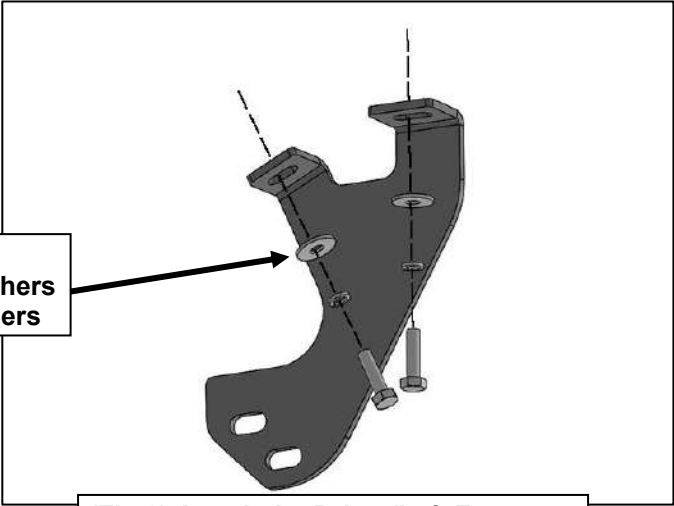
Passenger/Right Side Installation Pictured



Remove plastic
plugs (if equipped)
or hex bolts from
threaded holes

Front

**(Fig 1) Passenger/Right
front mounting location**



(2) 8mm Hex Bolts
(2) 8mm Lock Washers
(2) 8mm Flat Washers

**(Fig 2) Attach the Driver/Left Front
Mounting Bracket to the front location**

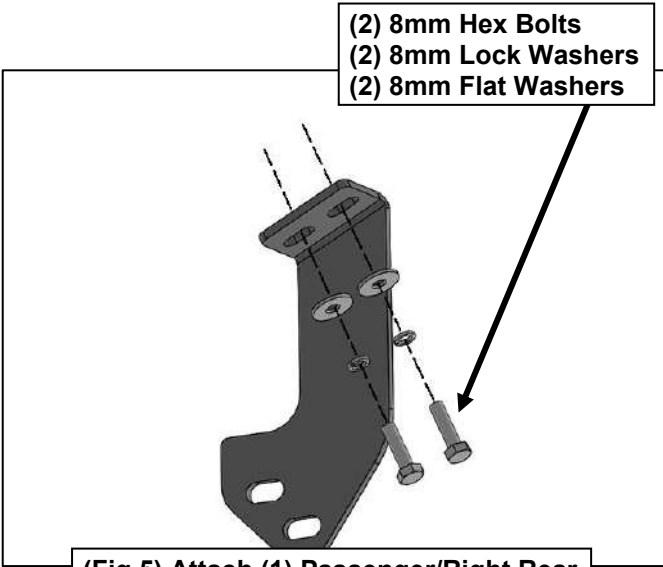


**(Fig 3) Passenger/Right Front Mounting
Bracket attached to the front location**

Passenger/Right Side Installation Pictured

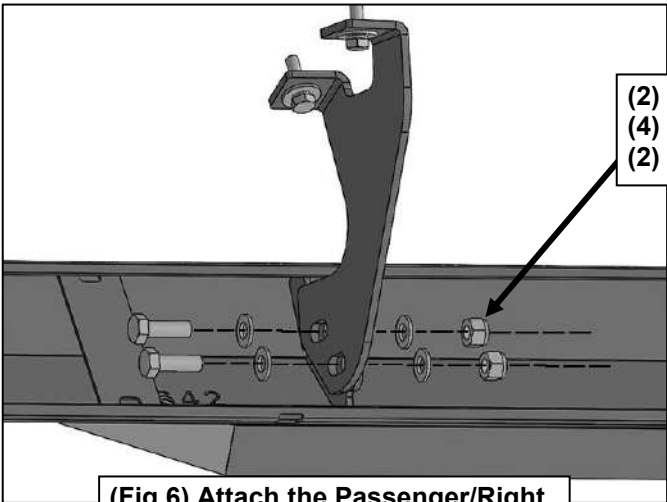


(Fig 4) Driver/Left center (2nd) location



- (2) 8mm Hex Bolts
- (2) 8mm Lock Washers
- (2) 8mm Flat Washers

(Fig 5) Attach (1) Passenger/Right Rear Mounting Bracket to the 2nd location



- (2) 10mm Hex Nuts
- (4) 10mm Flat Washers
- (2) 10mm Nylon Lock Nuts

(Fig 6) Attach the Passenger/Right Running Board to the rear faces of the (4) Mounting Brackets