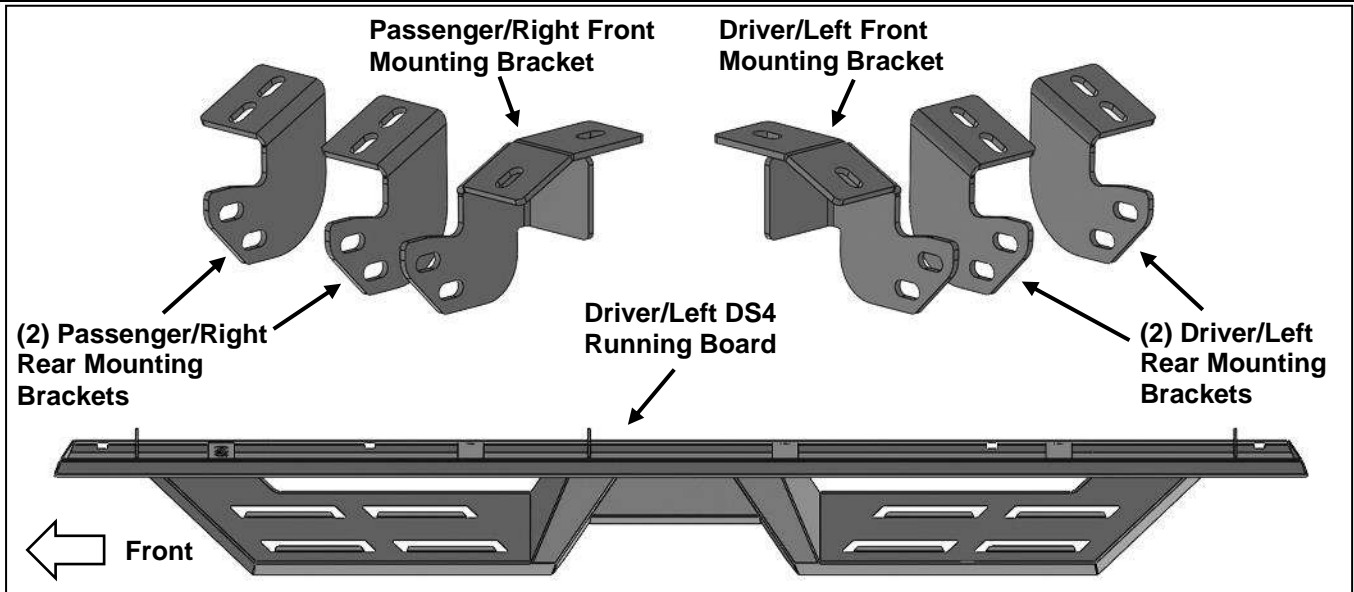


PARTS LIST:

1	Driver/Left DS4 Running Board	12	10mm x 30mm Hex Bolts
1	Passenger/Right DS4 Running Board	24	10mm x 20mm x 2mm Washers
1	Driver/Left Front Mounting Bracket	12	10mm Nylon Lock Nuts
1	Passenger/Right Front Mounting Bracket	12	8mm x 30mm Hex Bolts
2	Driver/Left Rear Mounting Brackets	12	8mm Lock Washers
2	Passenger/Right Rear Mounting Brackets	12	8mm x 24mm x 2mm Washers

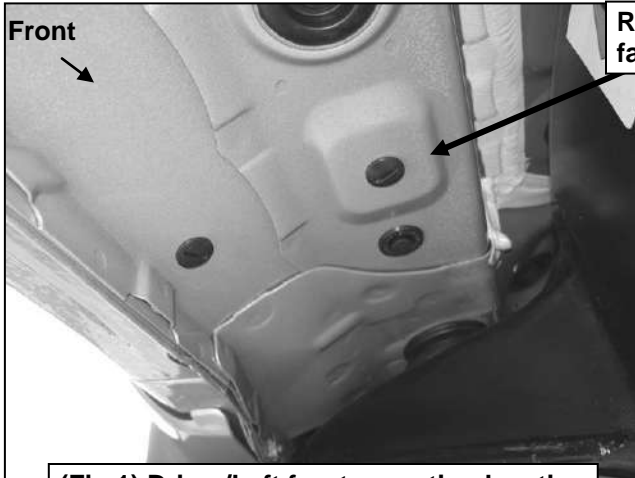


PROCEDURE:

- 1. REMOVE CONTENTS FROM BOX. VERIFY ALL PARTS ARE PRESENT. READ INSTRUCTIONS CAREFULLY. USE ILLUSTRATION TO IDENTIFY BRACKETS AND RUNNING BOARDS.**
- Starting on the Driver/Left front of the vehicle, remove the plastic plugs, (or hex bolts), covering the threaded holes in the body panel, **(Figure 1)**. Select the Driver/Left Front Mounting Bracket. Attach the Bracket to the vehicle with (2) 8mm Hex Bolts, (2) 8mm Lock Washers and (2) 8mm Flat Washers, **(Figure 2)**. Do not tighten hardware at this time.
- Move along the body panel to the center mounting location. Select (1) Driver/Left Rear Mounting Bracket. Repeat **Step 2** to install the Mounting Bracket, **(Figures 3 & 4)**. Do not tighten hardware.
- Continue to the last mounting location at the back of the cab, **(Figure 5)**. Select the remaining (1) Driver/Left Rear Mounting Bracket. Repeat **Step 2** to attach the Bracket to the rear mounting location. Do not tighten hardware.
- Select the Driver/Left DS4 Running Board. Attach the Running Board to the rear faces of the Mounting Brackets with (6) 10mm Hex Bolts, (12) 10mm Flat Washers and (6) 10mm Nylon Lock Nuts, **(Figure 6)**. Do not tighten hardware.
- Level and adjust the Running Board and tighten all hardware.
- Repeat **Steps 2—6** to attach the Passenger/Right DS4 Running Board.
- Do periodic inspections to the installation to make sure that all hardware is secure and tight.

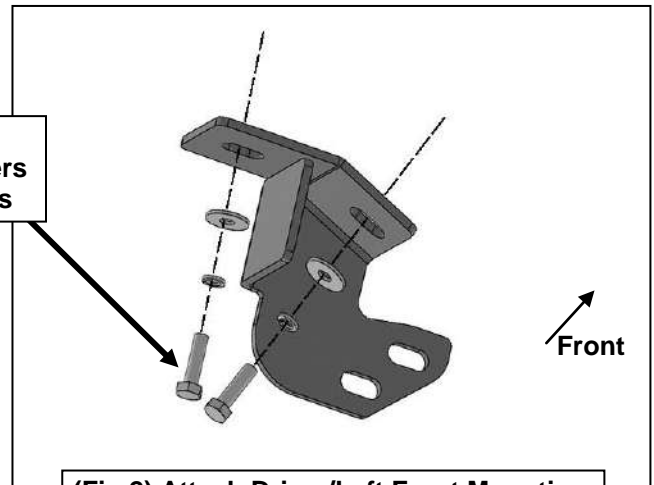
To protect your investment, Do not use any type of polish or wax that may contain abrasives that could damage the finish. Mild soap may be used to clean the Running Boards.

Driver Side Installation Pictured

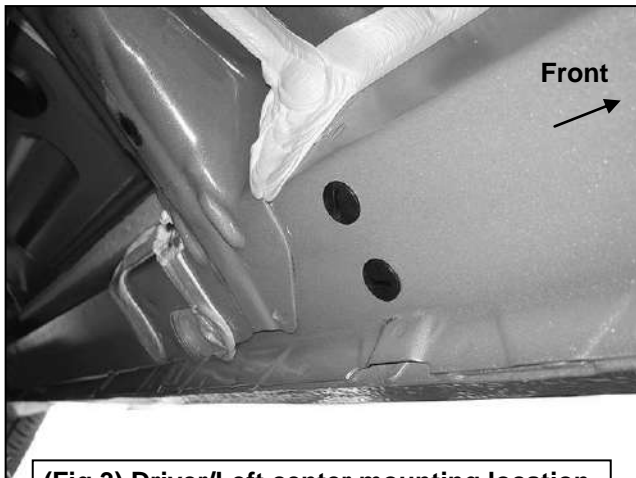


(Fig 1) Driver/Left front mounting location

- (2) 8mm Hex Bolts
- (2) 8mm Lock Washers
- (2) 8mm Flat Washers



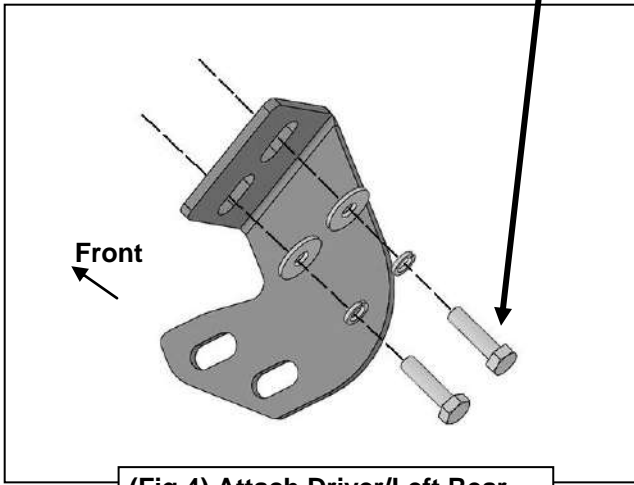
(Fig 2) Attach Driver/Left Front Mounting Bracket to the front mounting location



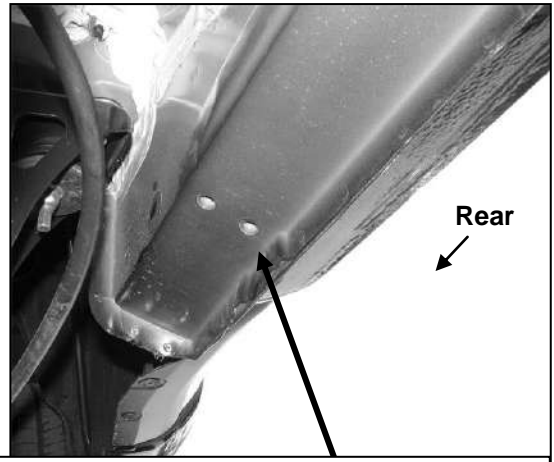
(Fig 3) Driver/Left center mounting location

Driver Side Installation Pictured

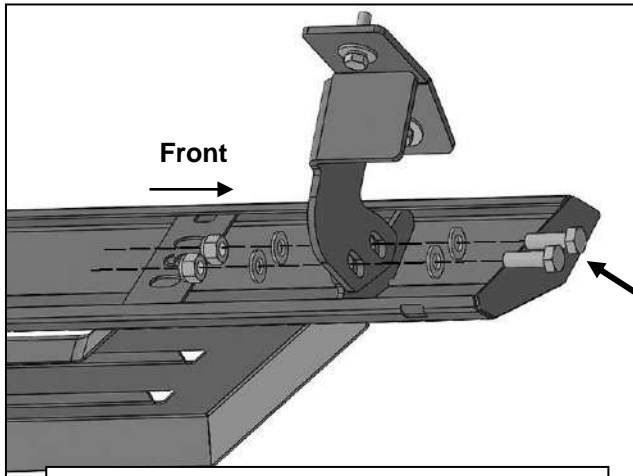
- (2) 8mm Hex Bolts
- (2) 8mm Lock Washers
- (2) 8mm Flat Washers



(Fig 4) Attach Driver/Left Rear Mounting Brackets to the center and rear mounting locations



(Fig 5) Driver/Left rear mounting location



(Fig 6) Attach Driver/Left Running Board to the rear faces of the Mounting Brackets

- (2) 10mm Hex Bolts
- (4) 10mm Flat Washers
- (2) 10mm Nylon Lock Nuts