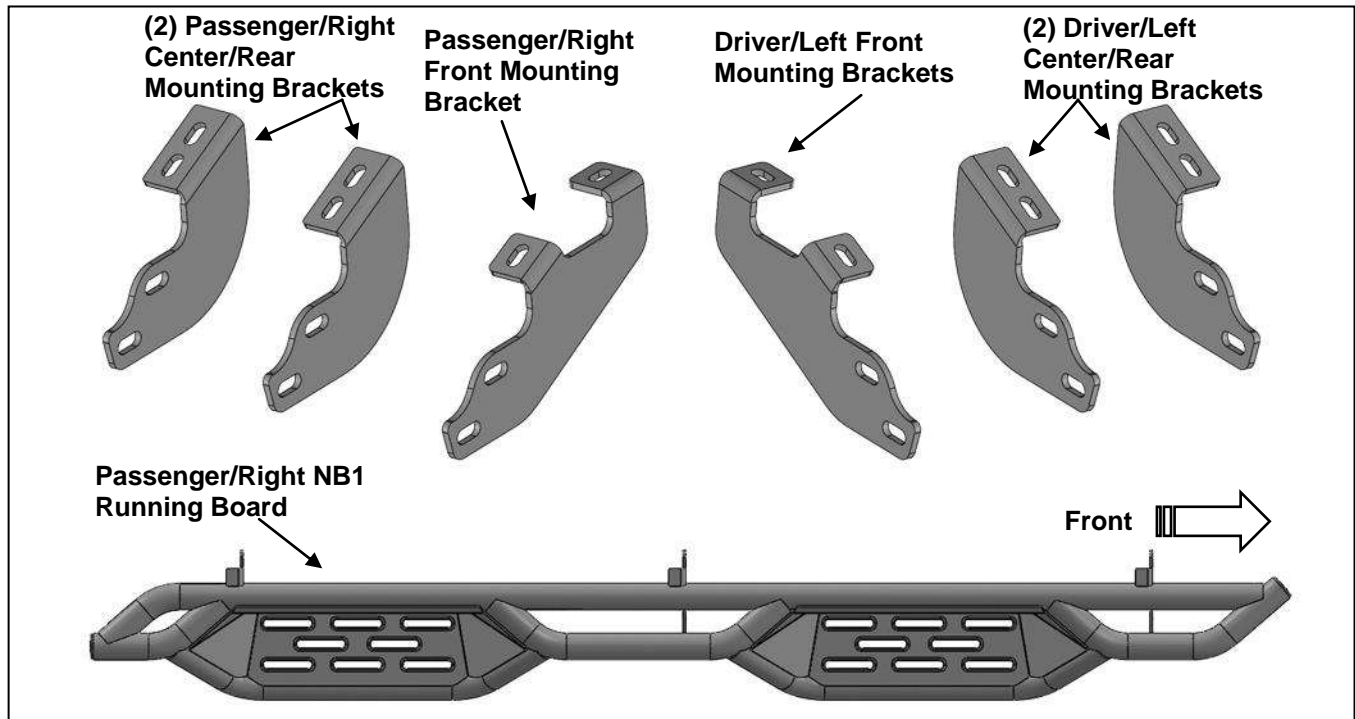


PARTS LIST:

1	Driver/Left NB1 Running Board	12	10-1.5mm x 35mm Hex Bolts
1	Passenger/Right NB1 Running Board	24	10mm x 27mm OD x 3mm Flat Washers
1	Driver/Left Front Mounting Bracket	12	10-1.5mm Nylon Lock Nuts
1	Passenger/Right Front Mounting Bracket	12	8-1.25mm x 30mm Hex Bolts
2	Driver/Left Center/Rear Mounting Brackets	12	8mm Lock Washers
2	Passenger/Right Center/Rear Mounting Brackets	12	8mm x 24mm OD x 2mm Flat Washers

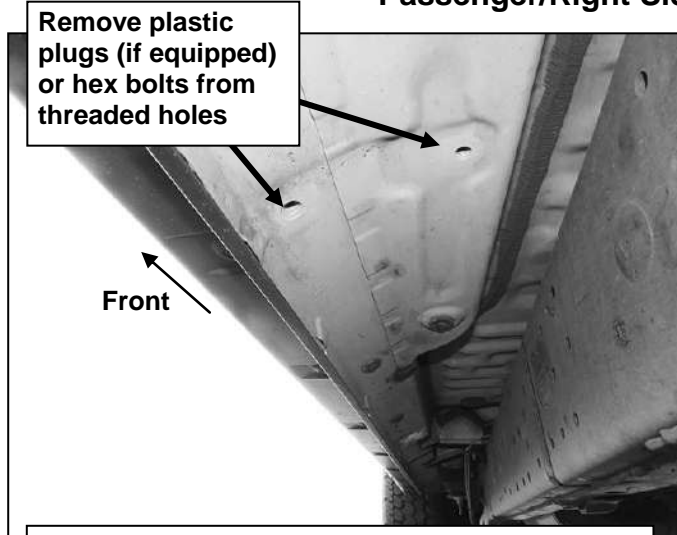


PROCEDURE:

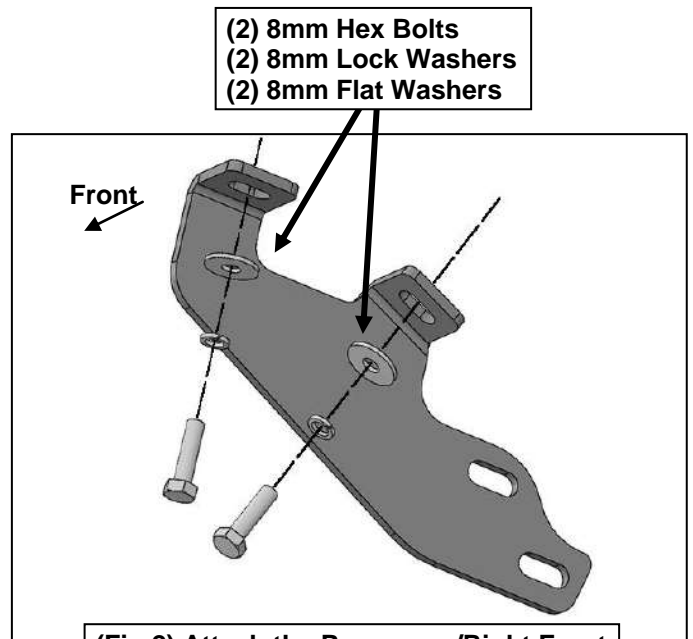
1. REMOVE CONTENTS FROM BOX. VERIFY ALL PARTS ARE PRESENT. READ INSTRUCTIONS CAREFULLY. ASSISTANCE IS HIGHLY RECOMMENDED.
2. Starting on the Passenger/Right side of the vehicle, remove the plastic plugs or hex bolts from the factory mounting location along the bottom of the body, **(Figures 1, 4 & 7)**.
3. Select the Passenger/Right Front Mounting Bracket. Attach the Bracket to the front mounting location with (2) 8mm Hex Bolts, (2) 8mm Lock Washers and (2) 8mm Flat Washers, **(Figures 1—3)**. Do not tighten hardware at this time.
4. Select (1) Passenger/Right Center/Rear Mounting Bracket. Attach the Bracket to the center location with (2) 8mm Hex Bolts, (2) 8mm Lock Washers and (2) 8mm Flat Washers, **(Figures 4—6)**. Do not tighten hardware at this time.
5. Repeat **Step 4** to attach the remaining (1) Passenger/Right Center/Rear Mounting Bracket to the rear location, **(Figures 7 & 8)**. Do not tighten hardware at this time.
6. Select the Passenger/Right NB1 Running Board. Attach the NB1 Running Board to the front faces of the Mounting Brackets with (6) 10mm Hex Bolts, (12) 6mm Flat Washers and (6) 10mm Nylon Lock Nuts, **(Figures 9—12)**. Do not tighten hardware at this time.
7. Level and adjust as necessary and tighten all hardware.
8. Repeat **Steps 2—7** to attach the Driver/Left NB1 Running Board.
9. Do periodic inspections to the installation to make sure that all hardware is secure and tight.

To protect your investment, Do not use any type of polish or wax that may contain abrasives that could damage the finish. Use only mild soap to clean the NB1 Running Board.

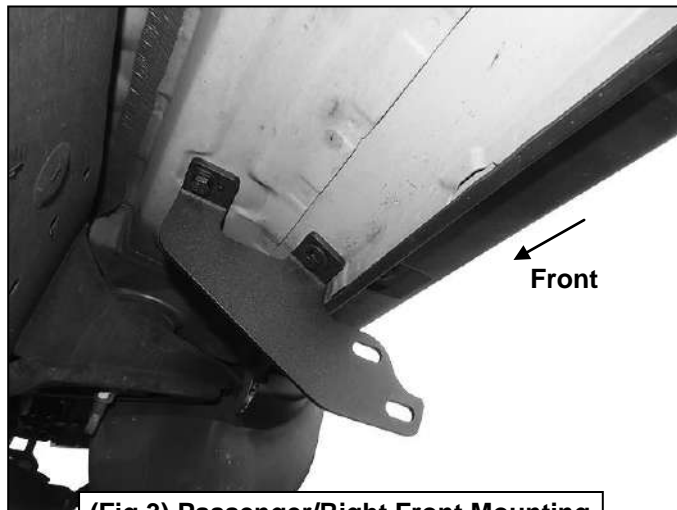
Passenger/Right Side Installation Pictured



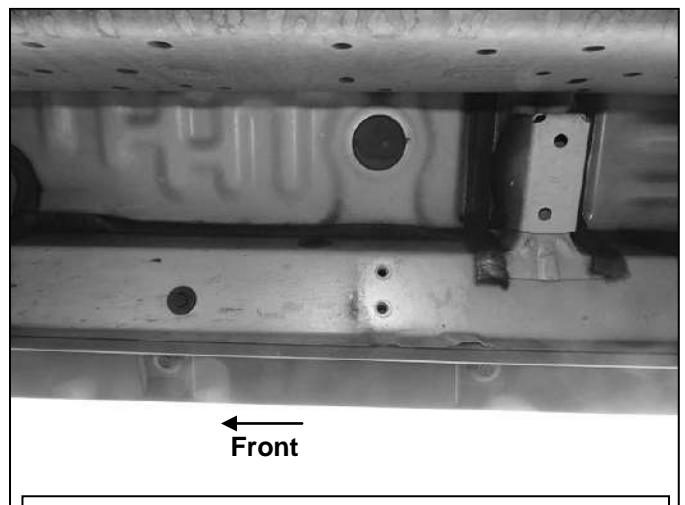
(Fig 1) Passenger/Right front mounting location



(Fig 2) Attach the Passenger/Right Front Mounting Bracket to the front location

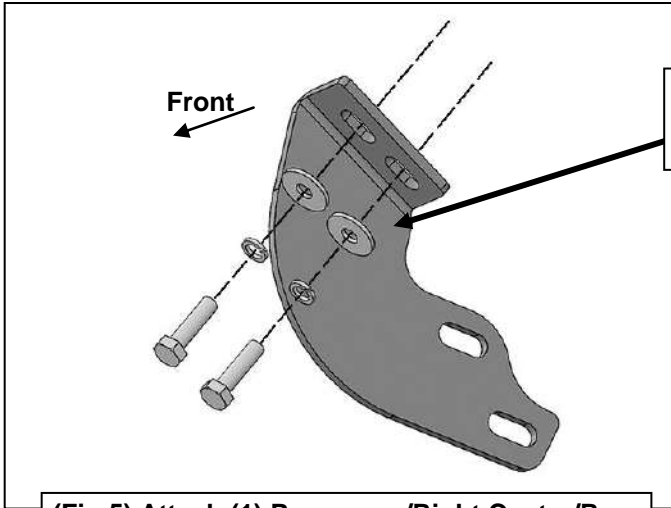


(Fig 3) Passenger/Right Front Mounting Bracket attached to the front location



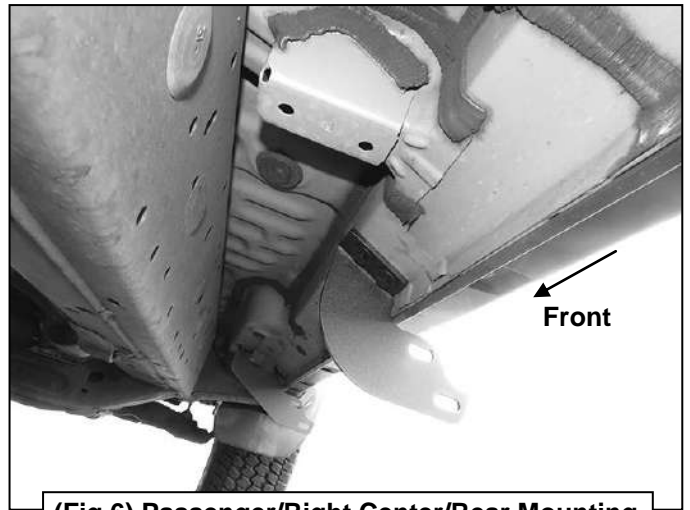
(Fig 4) Passenger/Right center mounting location

Passenger/Right Side Installation Pictured

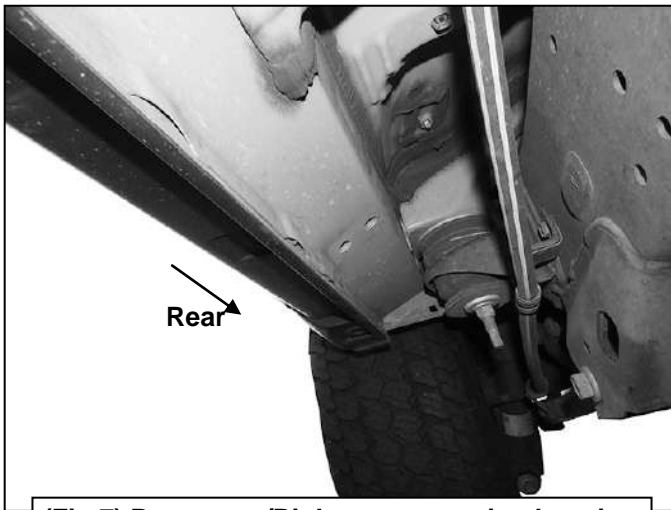


- (2) 8mm Hex Bolts
- (2) 8mm Lock Washers
- (2) 8mm Flat Washers

(Fig 5) Attach (1) Passenger/Right Center/Rear Mounting Bracket to the center location



(Fig 6) Passenger/Right Center/Rear Mounting Bracket attached to the center location

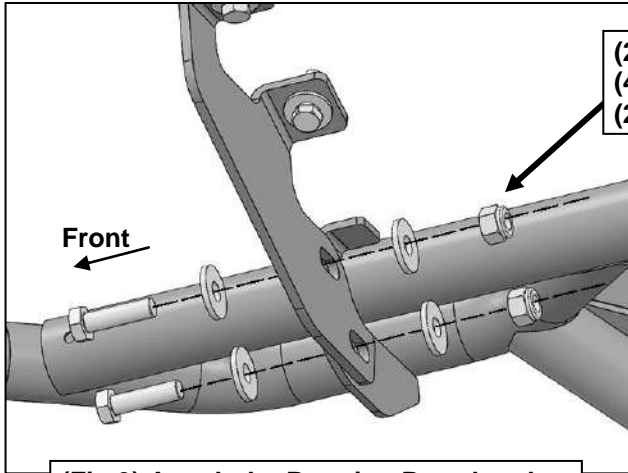


(Fig 7) Passenger/Right rear mounting location



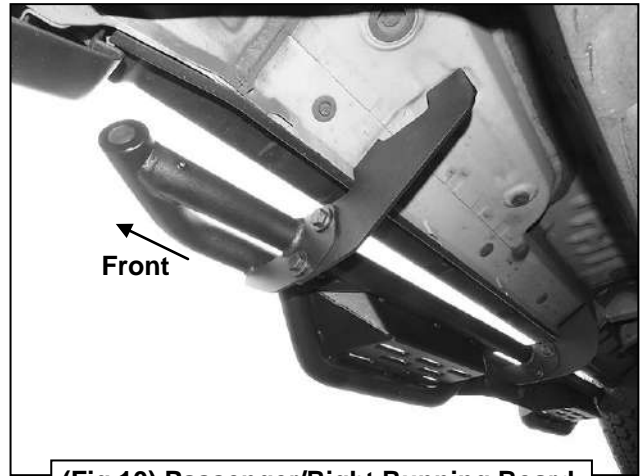
(Fig 8) Passenger/Right Center/Rear Mounting Bracket attached to the rear location

Passenger/Right Side Installation Pictured

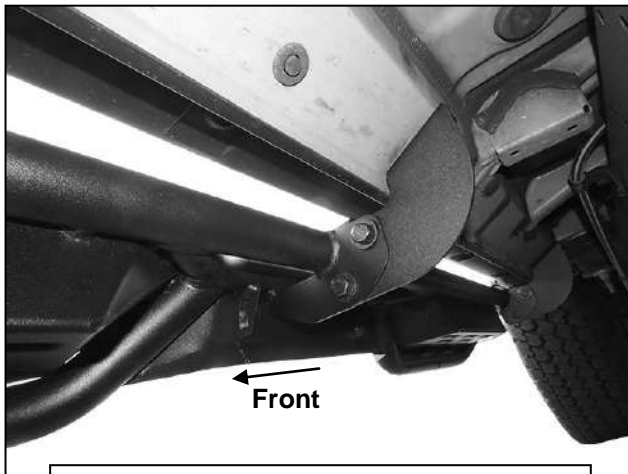


- (2) 10mm Hex Bolts
- (4) 10mm Flat Washers
- (2) 10mm Nylon Lock Nuts

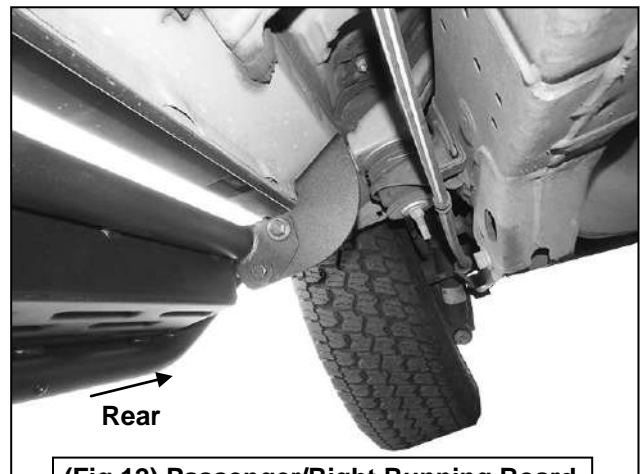
(Fig 9) Attach the Running Board to the front face of the Mounting Brackets



(Fig 10) Passenger/Right Running Board attached to the Front Mounting Bracket



(Fig 11) Passenger/Right Running Board attached to the Center Mounting Bracket



(Fig 12) Passenger/Right Running Board attached to the Rear Mounting Bracket