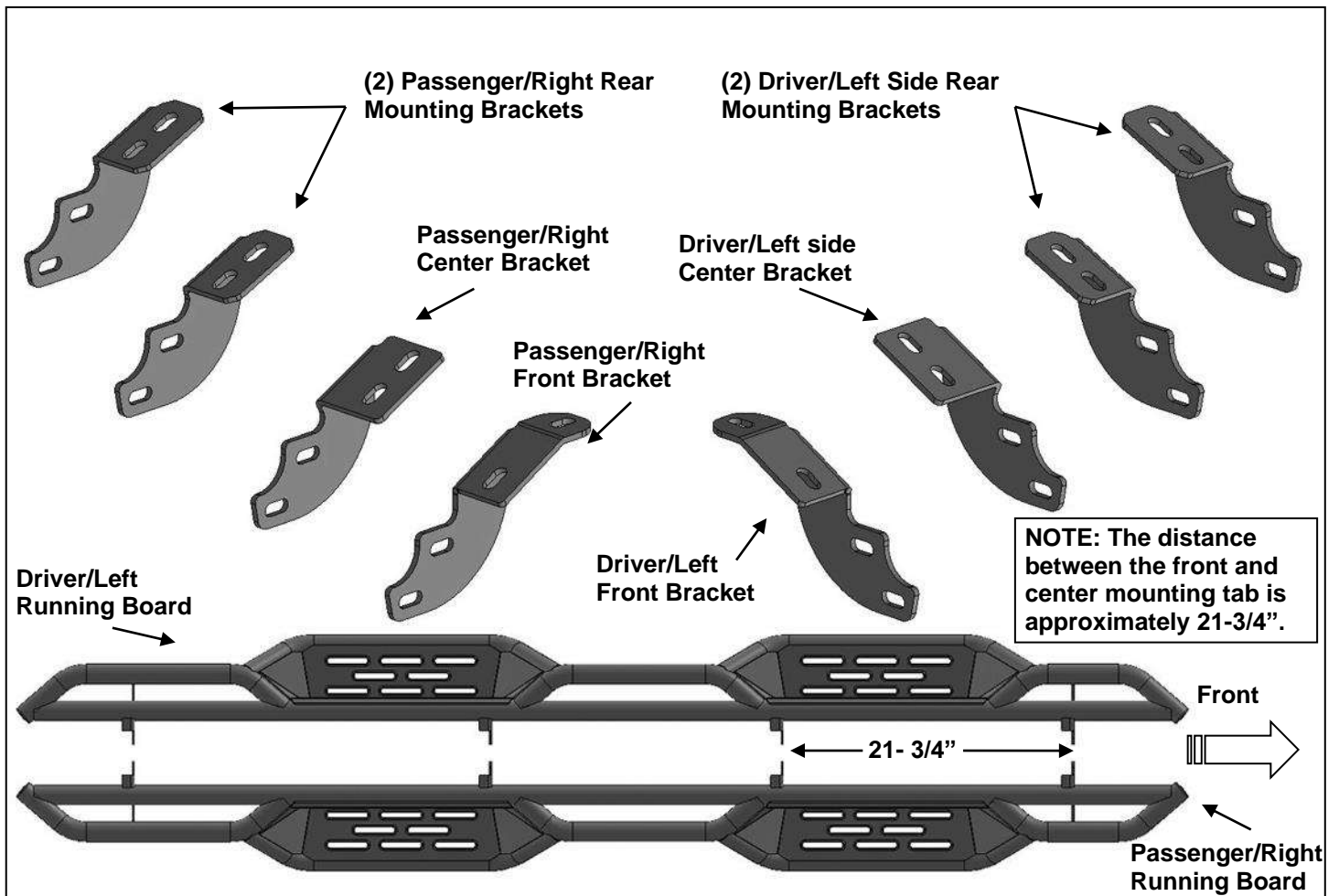


PARTS LIST:

1	Driver/left side Running Board	2	Passenger/right Rear Mounting Brackets
1	Passenger/right side Running Board	16	8mm x 30mm Hex Bolts
1	Driver/left Front Mounting Bracket	16	8mm Lock Washers
1	Passenger/right Front Mounting Bracket	16	8mm x 24mm x 2mm Flat Washers
1	Driver/left Center Mounting Bracket	16	10mm x 35mm Hex Bolts
1	Passenger/right Center Mounting Bracket	32	10mm x 27mm x 3mm Flat Washers
2	Driver/left Rear Mounting Brackets	16	10mm Nylon Lock Nuts



PROCEDURE:

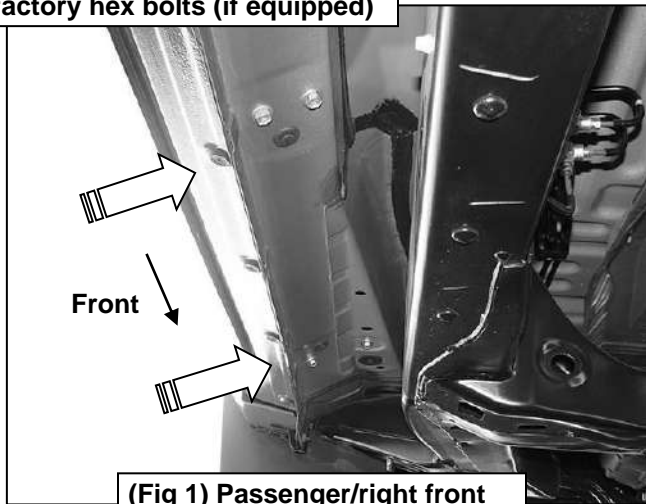
- 1. REMOVE CONTENTS FROM BOX. VERIFY ALL PARTS ARE PRESENT. READ INSTRUCTIONS CAREFULLY. USE ILLUSTRATION TO IDENTIFY BRACKETS AND RUNNING BOARDS.**
- Starting on the driver side, front of the vehicle, remove the plastic plugs or hex bolts covering the (2) threaded holes in the body panel, **(Figures 1 & 2)**. Select the driver side front Mounting Bracket, **(Figure 3)**. Attach the Bracket to the vehicle using the included (2) 8mm Hex Bolts, (2) 8mm Lock Washers and (2) 8mm Flat Washers, **(Figure 4)**. Do not tighten hardware at this time.
- Move to the next (2nd) mounting location, **(Figure 6)**. Select the passenger side center Mounting Bracket, **(Figures 5 & 6)**. **IMPORTANT:** The Center and Rear Brackets look similar but each one is unique. Use the illustration above and **Figure 5** to help identify each Bracket. Repeat **Step 2** to install the center Mounting Bracket, **(Figures 7 & 8)**.
- Continue to the 3rd mounting location, **(Figure 9)**. Select (1) driver side rear Mounting Bracket. Repeat **Step 2** to install the driver side rear Bracket, **(Figure 10)**.
- Continue to the last mounting location at the back of the cab, **(Figure 11)**. Repeat **Step 2** to install (1) driver side rear Bracket, **(Figure 12)**.

6. Once all (4) Brackets have been fully installed, carefully unwrap the Driver/left side Running Board.
NOTE: Use the illustration above to properly identify the Driver/left side Running Board.
7. With assistance, attach the Driver/left Running Board to the front facing side of the Brackets with the included (8) 10mm Hex Bolts, (16) 10mm Flat Washers and (8) 10mm Nylon Lock Nuts, (**Figures 13 & 14**). Do not tighten hardware at this time.
8. Level and adjust the Running Board as desired and tighten all hardware.
9. Repeat **Steps 2—8** for passenger side Running Board installation.
10. Do periodic inspections to the installation to make sure that all hardware is secure and tight.

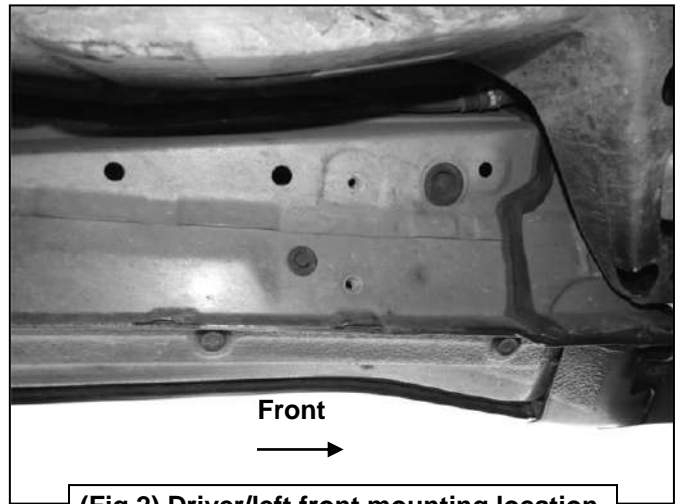
To protect your investment, wax this product after installing. Regular waxing is recommended to add a protective layer over the finish. Do not use any type of polish or wax that may contain abrasives that could damage the finish. Mild soap may be used to clean the Running Board.

Driver Side Installation Pictured

Remove plastic plugs or factory hex bolts (if equipped)

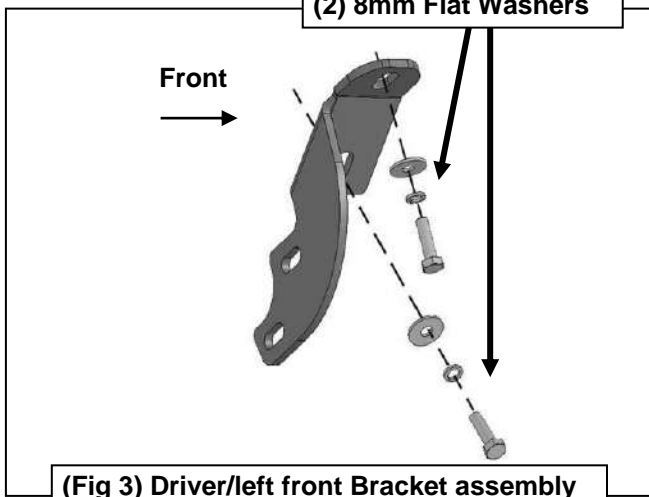


(Fig 1) Passenger/right front and center mounting location

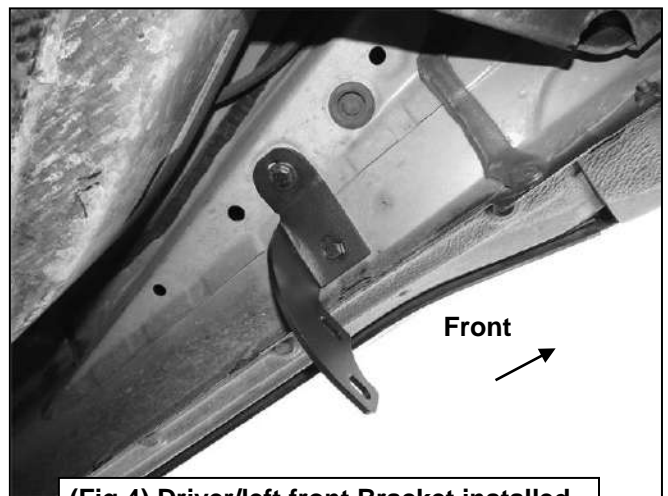


(Fig 2) Driver/left front mounting location

(2) 8mm Hex Bolts
(2) 8mm Lock Washers
(2) 8mm Flat Washers

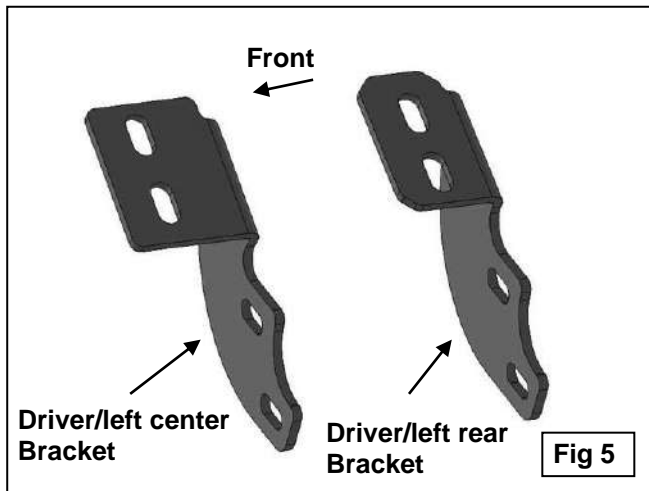


(Fig 3) Driver/left front Bracket assembly

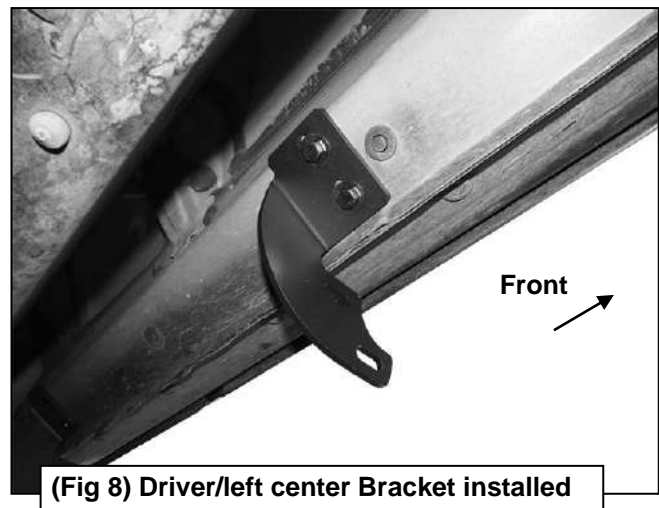
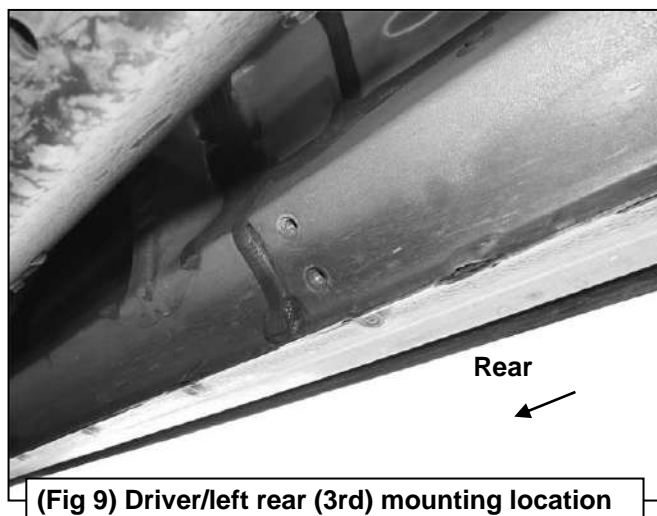
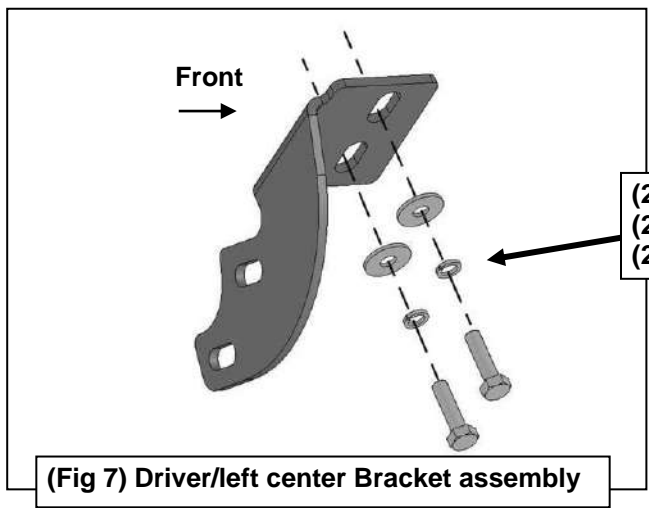
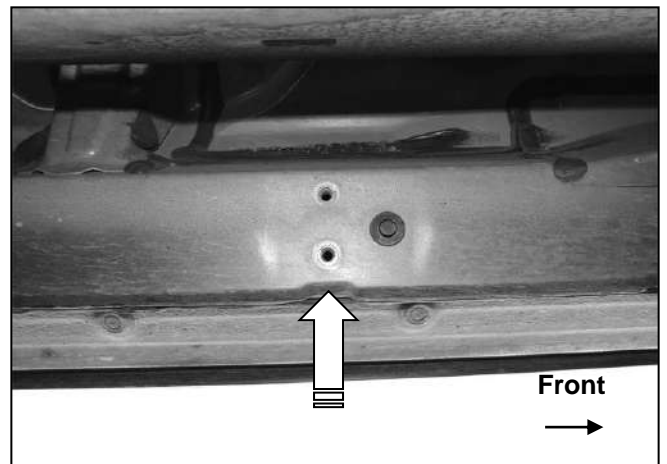


(Fig 4) Driver/left front Bracket installed

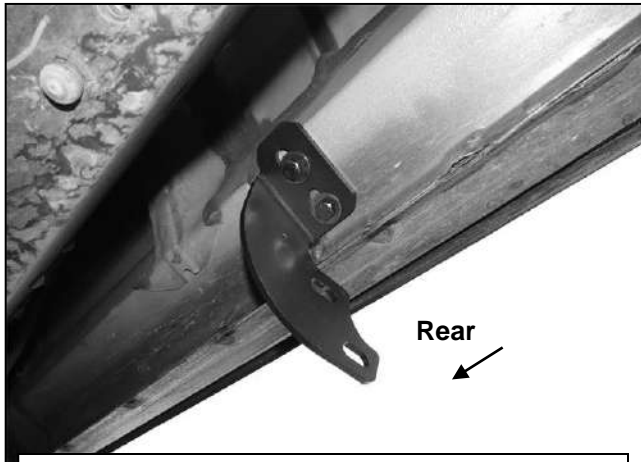
Driver Side Installation Pictured



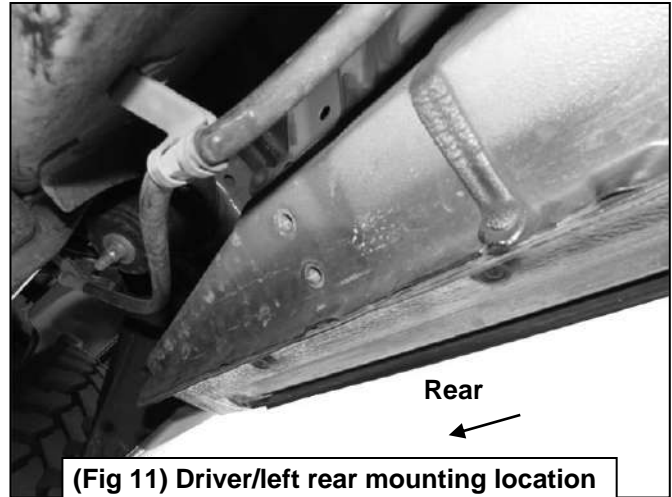
NOTE: The driver side center Bracket has round edges while the driver side Rear Bracket has cut corners. See figure 5.



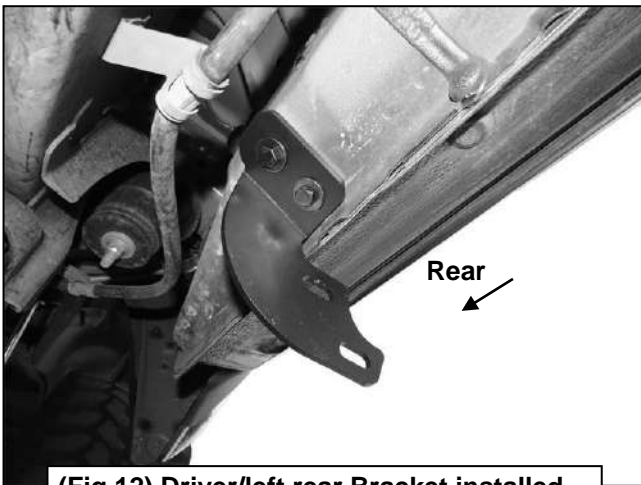
Driver Side Installation Pictured



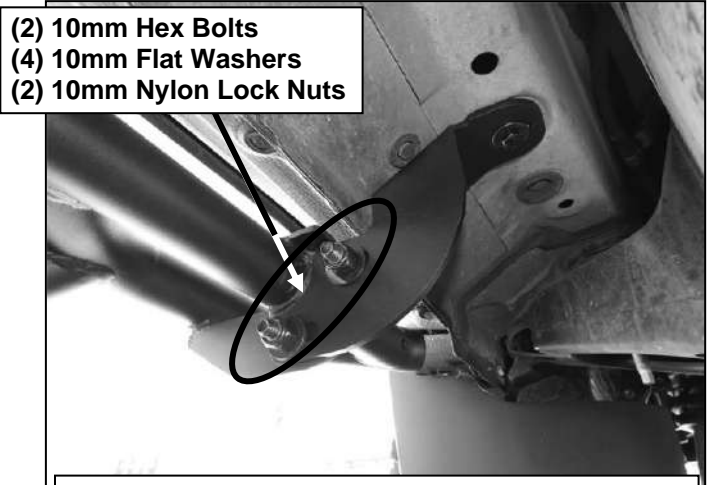
(Fig 10) Driver/left rear (3rd) Bracket installed



(Fig 11) Driver/left rear mounting location

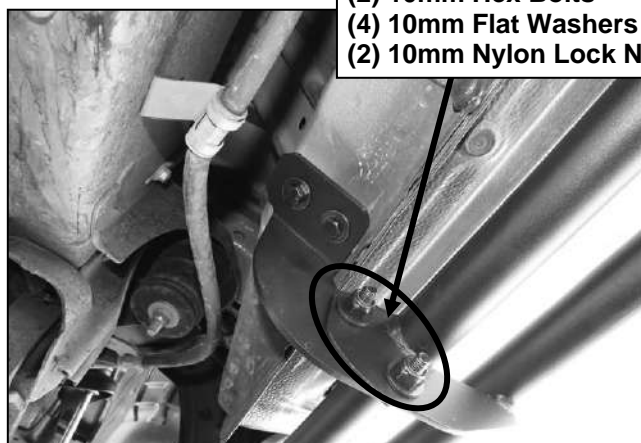


(Fig 12) Driver/left rear Bracket installed



- (2) 10mm Hex Bolts
- (4) 10mm Flat Washers
- (2) 10mm Nylon Lock Nuts

(Fig 13) Driver/left side Running Board attached to the front facing side of the front Bracket



- (2) 10mm Hex Bolts
- (4) 10mm Flat Washers
- (2) 10mm Nylon Lock Nuts

(Fig 14) Driver/left side Running Board attached to the front facing side of the rear Bracket



Complete Installation