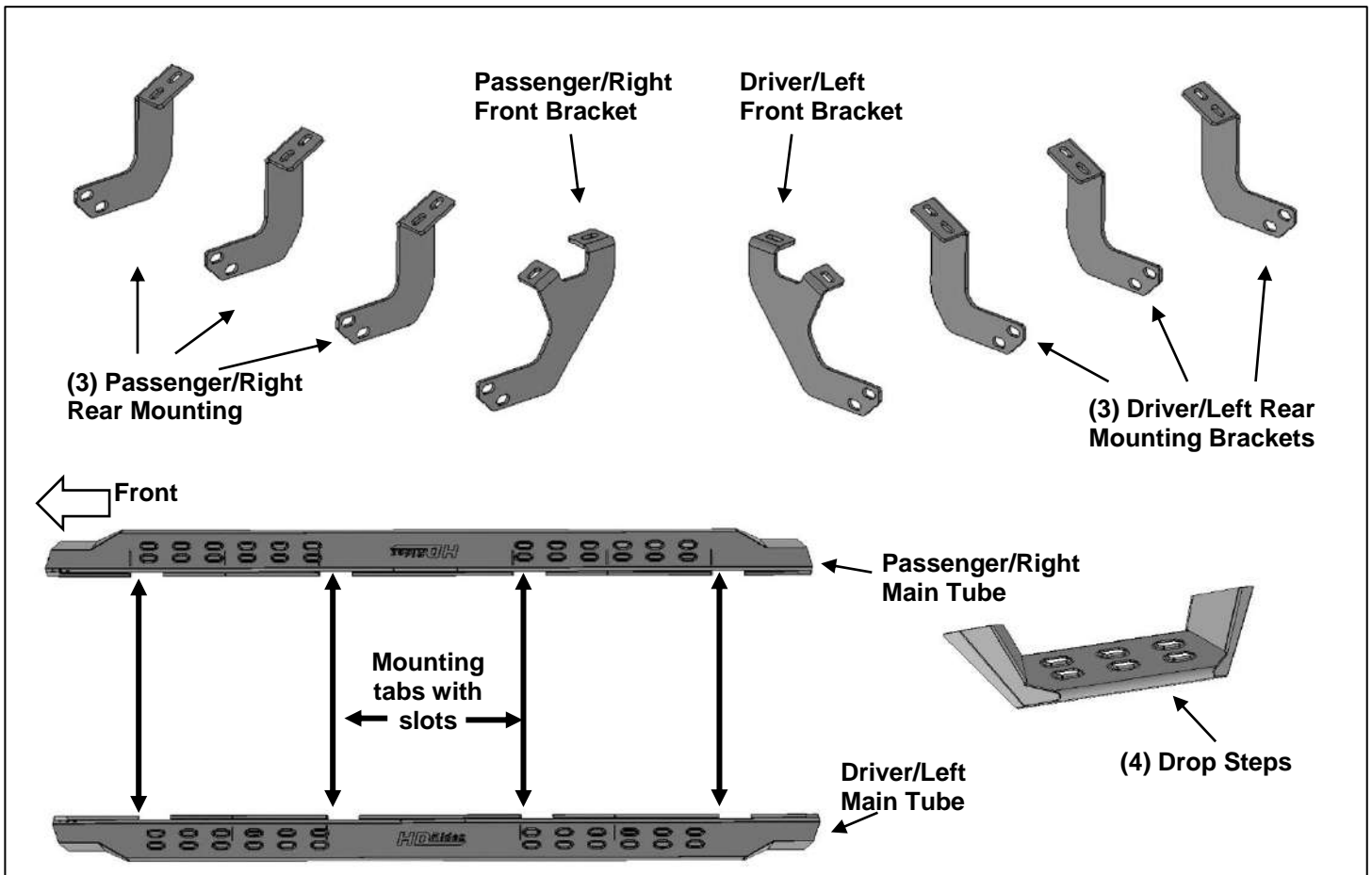


PARTS LIST:

1	Driver/Left Main Tube	32	10mm x 20mm x 2mm Flat Washers
1	Passenger/Right Main Tube	16	10mm Nylon Lock Nuts
4	Drop Steps	16	10mm x 30mm Hex Bolts
1	Driver/Left Front Mounting Bracket	16	8mm Lock Washers
1	Passenger/Right Front Mounting Bracket	16	8mm x 24mm x 2mm Flat Washers
3	Driver/Left Rear Mounting Brackets	16	8mm x 30mm Hex Bolts
3	Passenger/Right Rear Mounting Brackets	16	8mm x 22mm x 2mm Flat Washers (Drop Step Assembly)
8	8 x 25mm Bolt Plates	16	8mm Nylon Lock Nuts (Drop Step Assembly)



PROCEDURE:

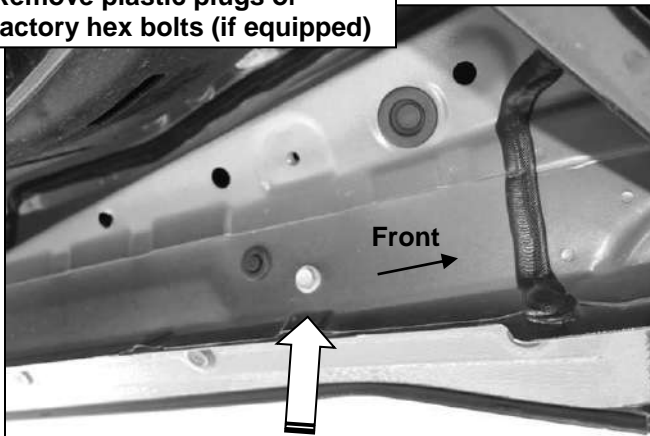
- 1. REMOVE CONTENTS FROM BOX. VERIFY ALL PARTS ARE PRESENT. READ INSTRUCTIONS CAREFULLY. USE ILLUSTRATION TO IDENTIFY BRACKETS AND RUNNING BOARDS.**
- Start installation on the Driver/Left front of the vehicle, remove the plastic plugs or hex bolts covering the (2) threaded holes in the body panel, **(Figure 1)**. Select the Driver/Left Front Mounting Bracket, **(Figure 2)**. Attach the Bracket to the vehicle using the included (2) 8mm Hex Bolts, (2) 8mm Lock Washers and (2) 8mm Flat Washers. Do not tighten hardware.
- Next, move to the 2nd, 3rd, and 4th mounting locations **(Figure 3 - 5)**. Select the Driver/Left Rear Mounting Bracket, **(Figure 6)**.
- Select the Driver/Left Main Tube. **IMPORTANT:** Use the illustration above to help identify the correct Main Tube. Insert (2) 8mm Bolt Plates into the front (2) sets of (2) holes, **(Figure 7)**. Attach (1) Drop Step to the (2) Bolt Plates with (4) 8mm x 22mm Flat Washers and (4) 8mm Nylon Lock Nuts, **(Figure 8)**. Do not tighten hardware.
- With assistance, line up the holes in the mounting tabs on the Running Board to the rear facing slots in the Mounting Brackets. Attach the Driver/Left Main Tube to the Mounting Brackets with (8) 10mm Hex Bolts, (16) 10mm Flat Washers and (8) 10mm Nylon Lock Nuts, **(Figure 9)**. Do not tighten hardware.

6. Level and adjust the Driver/Left Main Tube and tighten all hardware.
7. Repeat **Steps 2—5** for Passenger/Right Main Tube.
8. Do periodic inspections to the installation to make sure that all hardware is secure and tight.

To protect your investment, Do not use any type of polish or wax that may contain abrasives that could damage the finish. Mild soap may be used to clean Slider Drop Step.

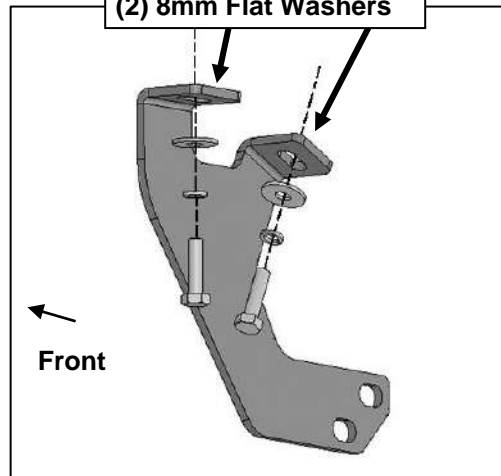
Driver/left Side Installation Pictured

Remove plastic plugs or factory hex bolts (if equipped)

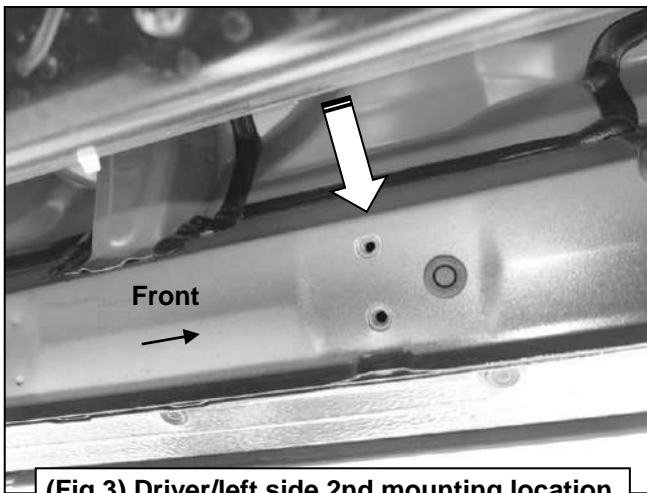


(Fig 1) Driver/left side front mounting location

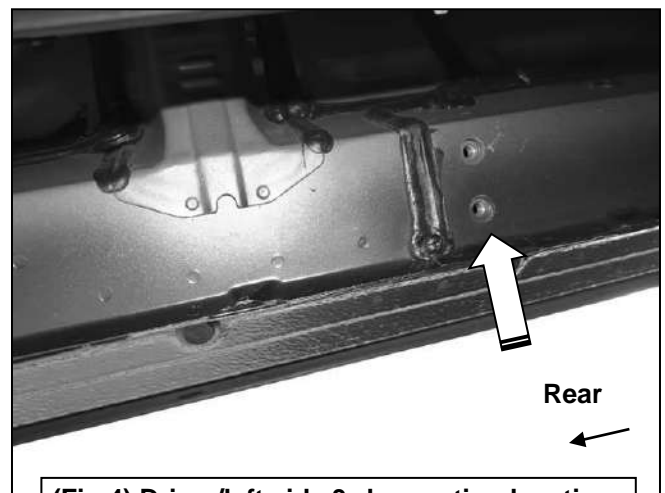
(2) 8mm Hex Bolts
(2) 8mm Lock Washers
(2) 8mm Flat Washers



(Fig 2) Driver/left side front mounting location

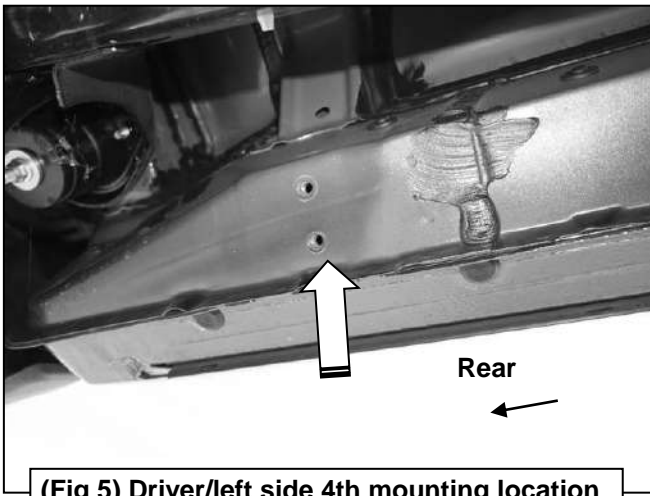


(Fig 3) Driver/left side 2nd mounting location



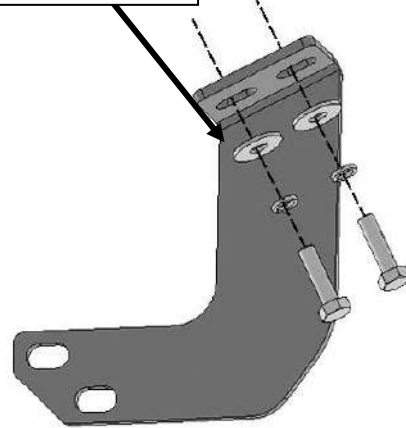
(Fig 4) Driver/left side 3rd mounting location

Driver/left Side Installation Pictured

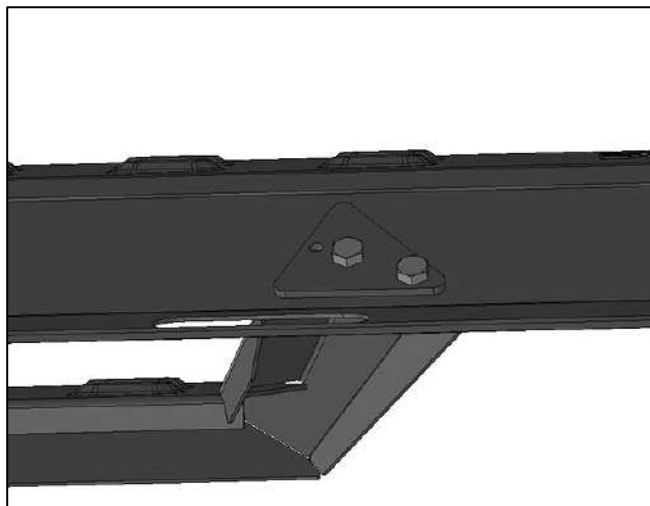


(Fig 5) Driver/left side 4th mounting location

- (2) 8mm Hex Bolts
- (2) 8mm Lock Washers
- (2) 8mm Flat Washers

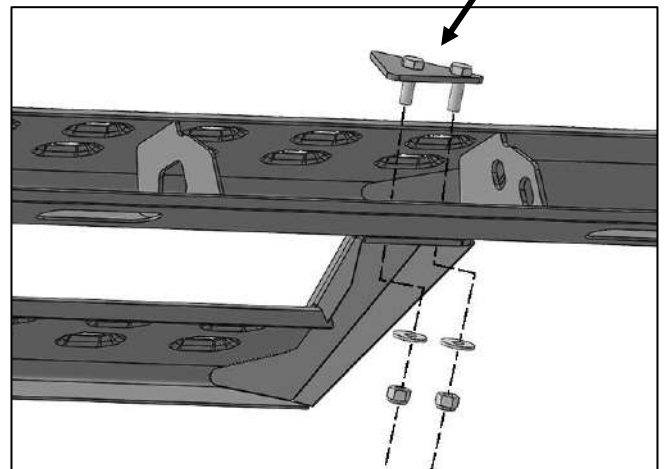


(Fig 6) Attach the Driver/Left Rear Mounting Bracket to the 2nd, 3rd, & 4th mounting locations

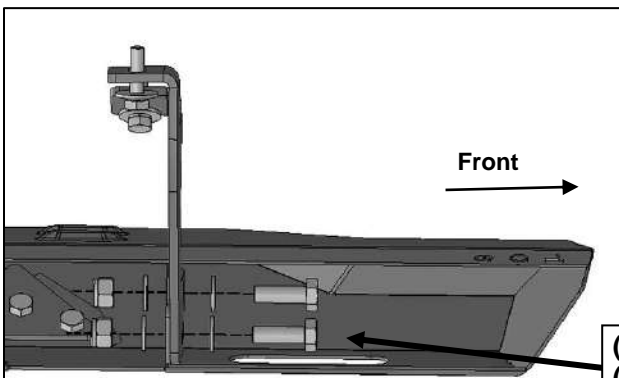


(Fig 7) Insert (1) Bolt Plate into the holes in the Tube

- (1) 8mm Bolt Plate
- (2) 8mm x 22mm Flat Washers
- (2) 8mm Nylon Lock Nuts



(Fig 8) Attach (1) Drop Step to (2) Bolt Plates



(Fig 9) Attach the Driver/Left Main Tube to the Mounting Brackets

- (2) 10mm Hex Bolts
- (4) 10mm Flat Washers
- (2) 10mm Nylon Lock Nuts