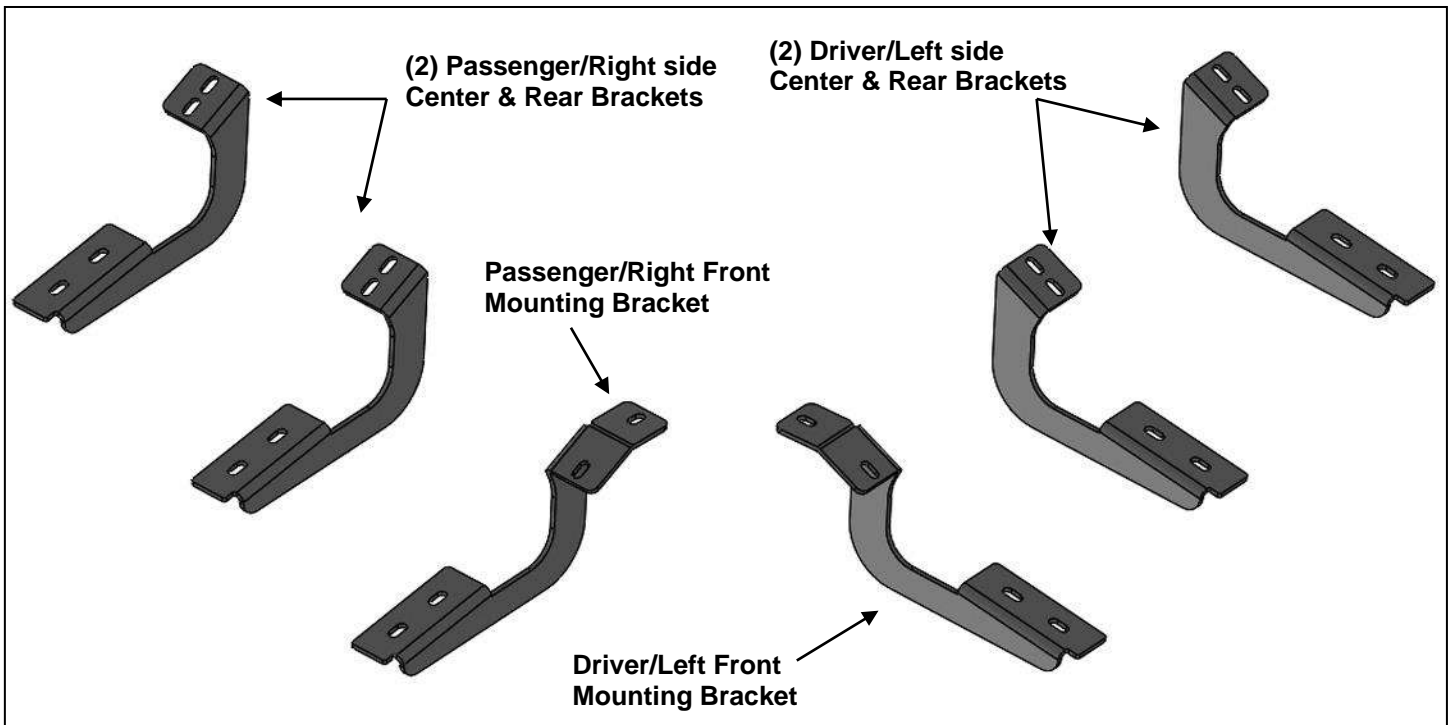


**PARTS LIST:**

1	79" Driver/left side S6 Running Board	6	8-1.25mm x 35mm Double Bolt Plates
1	79" Passenger/right side S6 Running Board	12	8-1.25mm x 30mm Hex Bolts
1	Driver/Left side Front Mounting Bracket	12	8mm Lock Washers
1	Passenger/Right side Front Mounting Bracket	24	8mm x 24mm x 2mm Flat Washers
2	Driver/Left Center and Rear Mounting Brackets	12	8-1.25mm Nylon Lock Nuts
2	Passenger/Right Center and Rear Mounting Brackets		



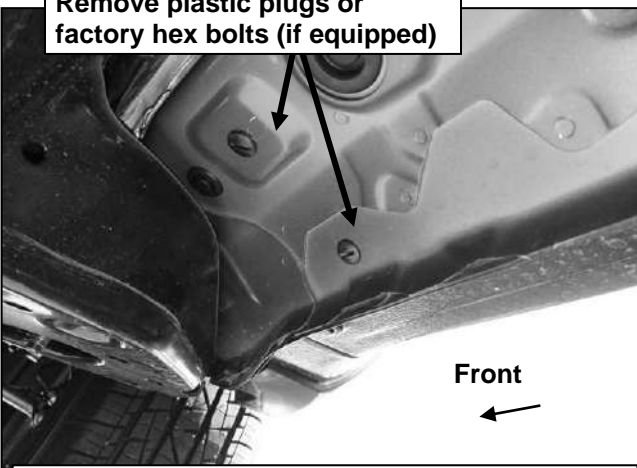
**PROCEDURE:**

1. REMOVE CONTENTS FROM BOX. VERIFY ALL PARTS ARE PRESENT. READ INSTRUCTIONS CAREFULLY. USE ILLUSTRATION TO PROPERLY IDENTIFY BRACKETS AND SIDEBARS.
2. Starting on the passenger side front of the vehicle, remove the plastic plugs or bolts covering the threaded holes in the body panel, (Figures 1 & 2). Select the passenger side Front Mounting Bracket, (Figure 3). Attach the Bracket to the vehicle using the included (2) 8mm Hex Bolts, (2) 8mm Lock Washers and (2) 8mm Flat Washers, (Figure 4). Do not tighten hardware at this time.
3. Move along the body panel to the center mounting location, (Figure 5). Repeat Step 2 for passenger side Center Bracket installation, (Figure 6).
4. Continue to the last, rear, mounting location, (Figure 7). Repeat Step 2 for passenger side Rear Bracket installation, (Figure 8).
5. Once all (3) Brackets have been fully installed, carefully unwrap the Passenger/right side Running Board. **NOTE:** The front stepping pad is farther away from the front end of the Running Board. Place the Running Board on top of the (3) Brackets. Locate the channel in the bottom of the Running Board. Select (3) 8mm Double Bolt Plates, (Figure 9). Insert the Bolt Plates into the channel in the bottom of the Running Board closest to the Brackets, (Figure 10). Lift the Running Board up and guide the studs down through the Brackets. **IMPORTANT:** Do not slide the Running Board on the Brackets, (front to back or rotate), or the finish on the Running Board may be damaged.
6. Attach the Running Board to the Brackets with (6) 8mm Flat Washers and (6) 8mm nylon Lock Nuts, (Figures 11 —13). Do not tighten hardware at this time.
7. Properly level and adjust the Running Board and fully tighten all hardware.
8. Repeat Steps 2—7 for Driver/left side Running Board Installation.
9. Do periodic inspections to the installation to make sure that all hardware is secure and tight.

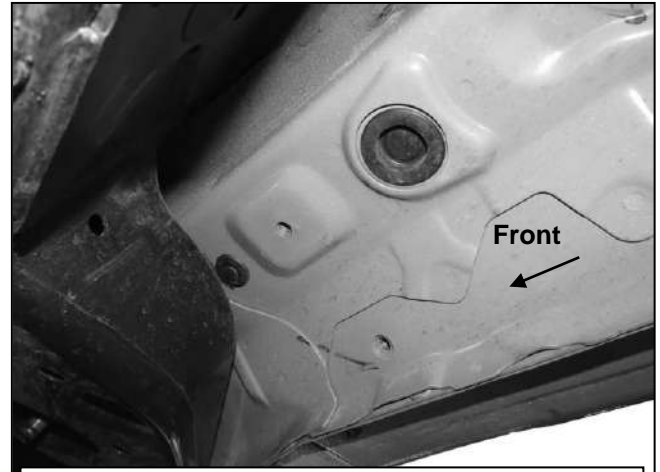
To protect your investment, wax this product after installing. Regular waxing is recommended to add a protective layer over the finish. Do not use any type of polish or wax that may contain abrasives that could damage the finish. Mild soap may be used also to clean the Running Board.

### Passenger/Right Side Installation Pictured

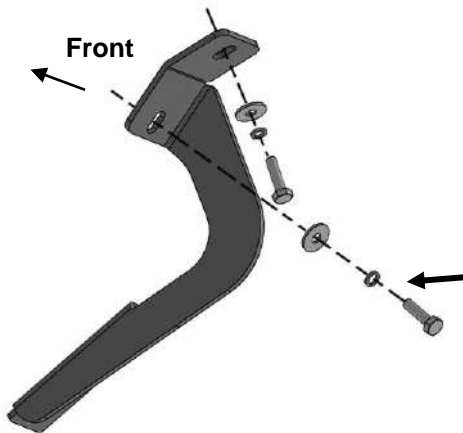
Remove plastic plugs or factory hex bolts (if equipped)



(Fig 1) Passenger side front mounting location

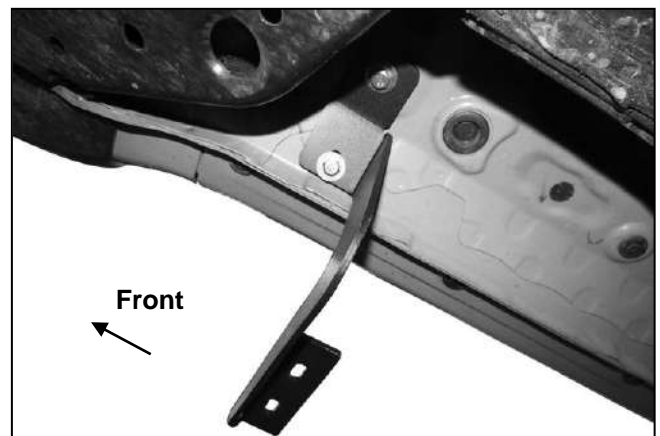


(Fig 2) Passenger side front mounting location

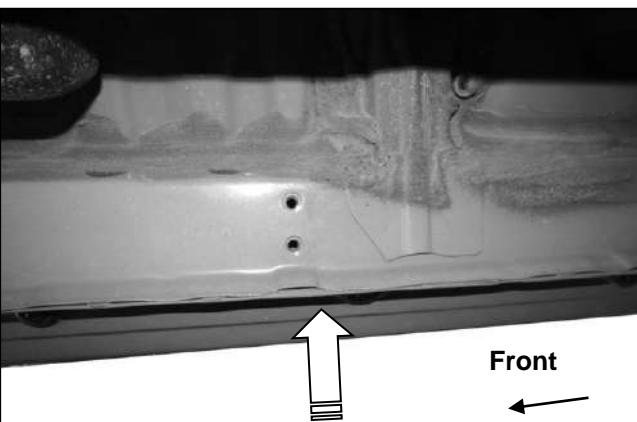


- (2) 8mm Hex Bolts
- (2) 8mm Lock Washers
- (2) 8mm Flat Washers

(Fig 3) Passenger side Front Bracket illustrated

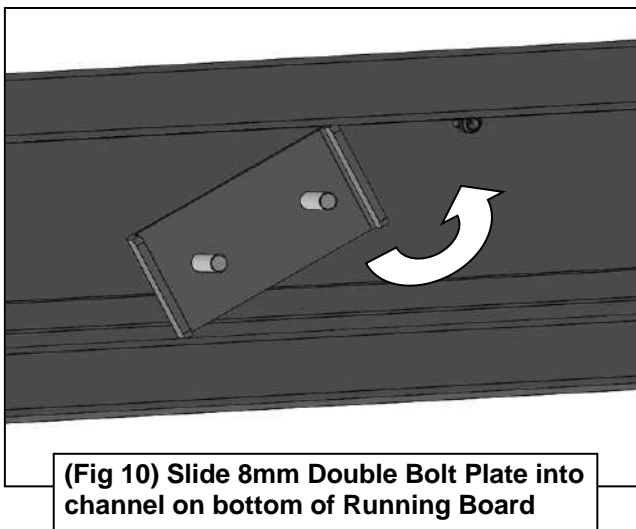
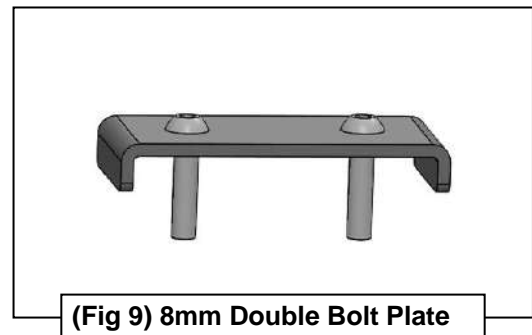
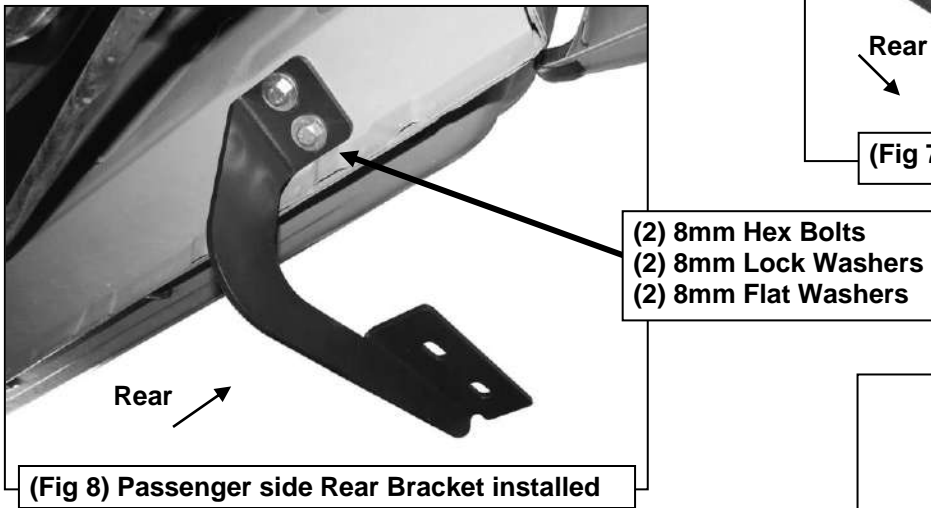
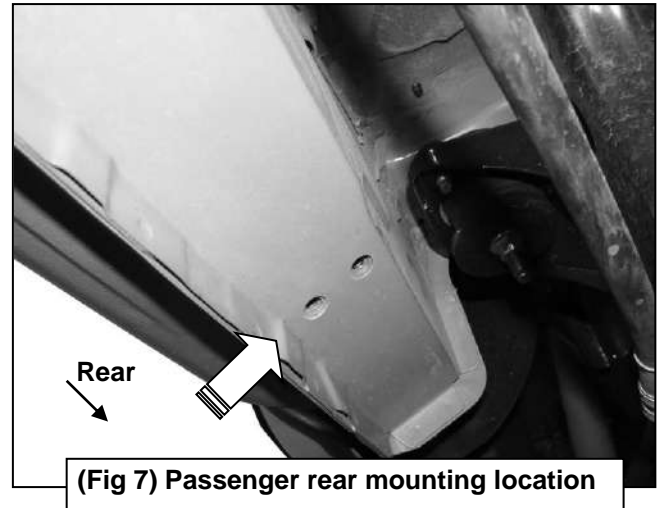
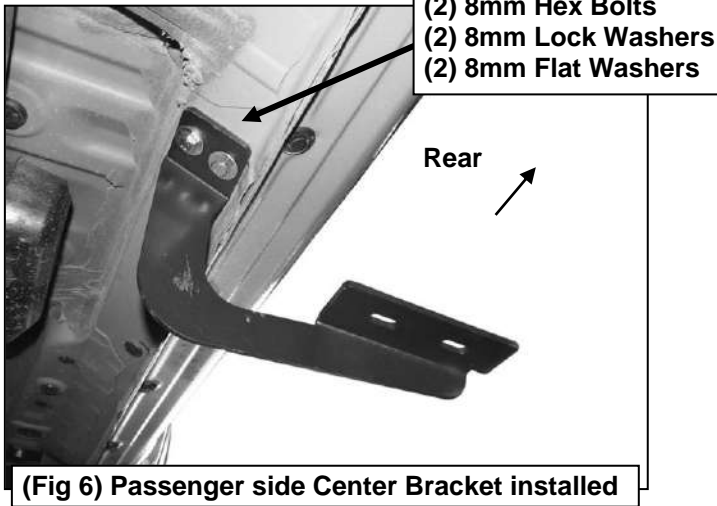


(Fig 4) Passenger side Front Bracket installed



(Fig 5) Passenger side center mounting location

### Passenger/Right Side Installation Pictured



### Passenger/Right Side Installation Pictured

