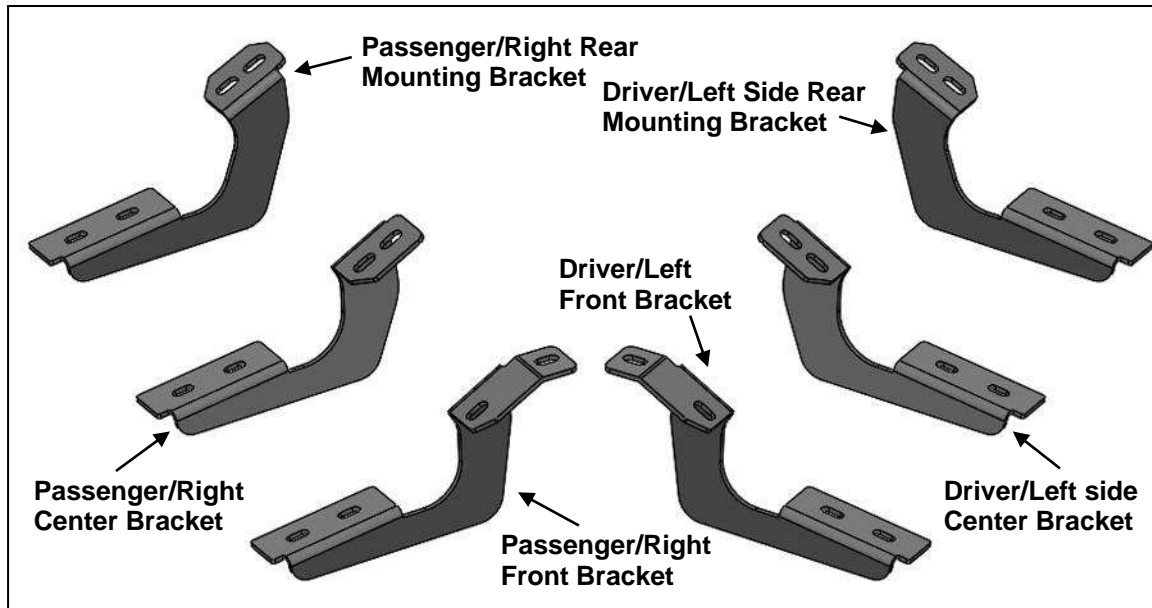


PARTS LIST:

1	79" Driver/left side S6 Running Board	1	Passenger/Right Rear Mounting Bracket
1	79" Passenger/right side S6 Running Board	6	8-1.25mm x 35mm Double Bolt Plates
1	Driver/Left Front Mounting Bracket	12	8-1.25 x 30mm Hex Bolts
1	Passenger/Right Front Mounting Bracket	24	8mm x 24mm x 2mm Flat Washers
1	Driver/Left Center Mounting Bracket	12	8mm Lock Washers
1	Passenger/Right Center Mounting Bracket	12	8-1.25mm Nylon Lock Nuts
1	Driver/Left Rear Mounting Bracket		



PROCEDURE:

- 1. REMOVE CONTENTS FROM BOX. VERIFY ALL PARTS ARE PRESENT. READ INSTRUCTIONS CAREFULLY. USE ILLUSTRATION TO IDENTIFY BRACKETS AND RUNNING BOARDS.**
- Starting on the driver side, front of the vehicle, remove the plastic plugs or hex bolts covering the (2) threaded holes in the body panel, **(Figure 1)**. Select the Driver/left side Front Mounting Bracket, **(Figure 2)**. Attach the Bracket to the vehicle using the included (2) 8mm Hex Bolts, (2) 8mm Lock Washers and (2) 8mm Flat Washers, **(Figure 3)**. Do not tighten hardware.
- Next, move to the next (2nd) center mounting location, **(Figure 5)**. **NOTE: Installation will use the 1st, 2nd and 4th mounting locations for the Running Board Brackets.**
- Select the Driver side Center Mounting Bracket, **(Figure 4)**. **IMPORTANT:** The Center and Rear Brackets look similar but each one is unique. Use the illustration above and **Figure 4** to help identify each Bracket. Repeat **Step 2** to install the Driver/left side Center Mounting Bracket, **(Figure 6)**.
- Continue to the last mounting location at the back of the cab, **(Figure 7)**. Repeat **Step 2** to install the Driver/left side Rear Bracket, **(Figure 8)**. When properly installed, the cradles for the Running Board will face toward the rear.
- Once all (3) Mounting Brackets have been fully installed, carefully unwrap the Driver/left side Running Board. **NOTE:** The front stepping pad is farther away from the front end of the Running board. Place the Running Board on top of the (3) Mounting Brackets. Locate the channel in the bottom of the Running Board. Select (3) 8mm Double Bolt Plates, **(Figure 9)**. Insert the Bolt Plates into the channel in the bottom of the Running Board closest to the

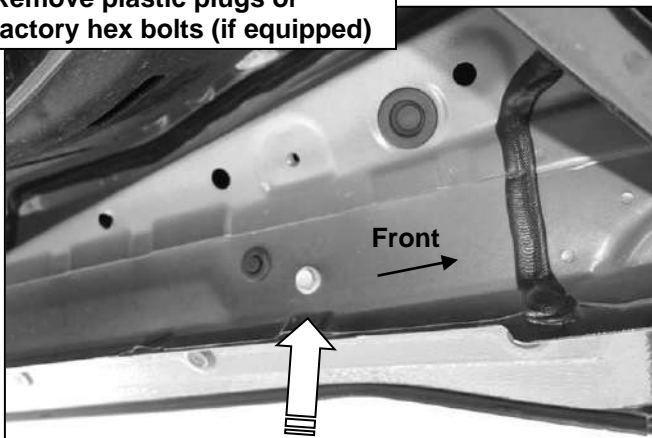
Brackets, (**Figure 10**). Lift the Running Board up and guide the studs down through the Brackets.

7. Attach the Running Board to the Mounting Brackets with the included (6) 8mm Flat Washers and (6) 8mm Nylon Lock Nuts, (**Figures 11—13**). Do not tighten at this time.
8. Level and adjust the Running Board as desired and tighten all hardware.
9. Repeat **Steps 2—8** for Passenger/right side Running Board installation.
10. Do periodic inspections to the installation to make sure that all hardware is secure and tight.

To protect your investment, wax this product after installing. Regular waxing is recommended to add a protective layer over the finish. Do not use any type of polish or wax that may contain abrasives that could damage the finish. Mild soap may be used to clean the Running Board.

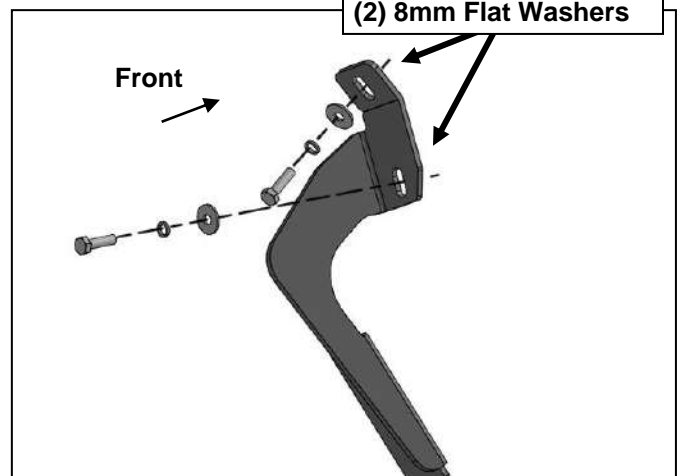
Driver/left Side Installation Pictured

Remove plastic plugs or factory hex bolts (if equipped)

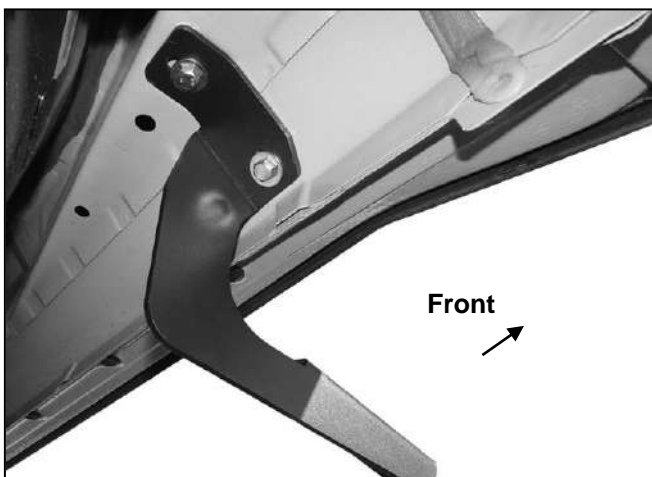


(Fig 1) Driver/left side front mounting location

(2) 8mm Hex Bolts
(2) 8mm Lock Washers
(2) 8mm Flat Washers



(Fig 2) Driver/left side front mounting location



(Fig 3) Driver/left side front Bracket installed

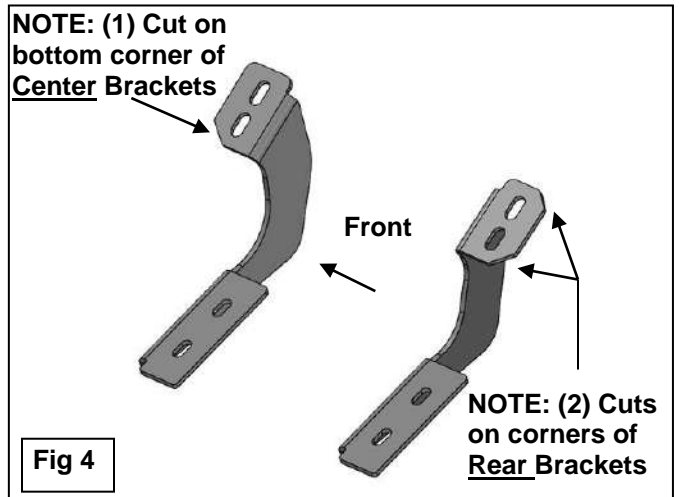
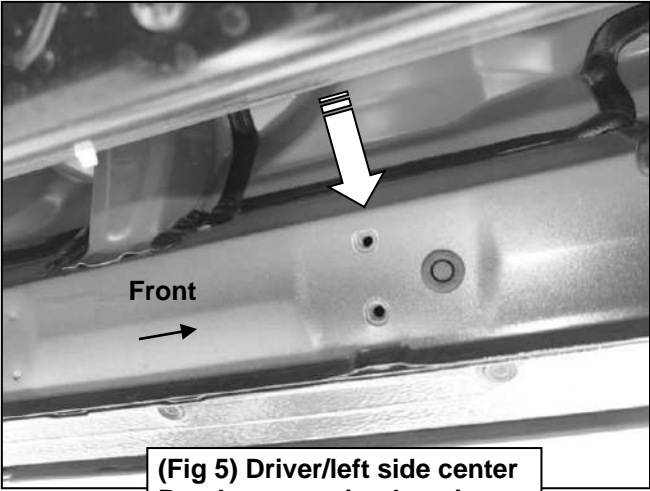
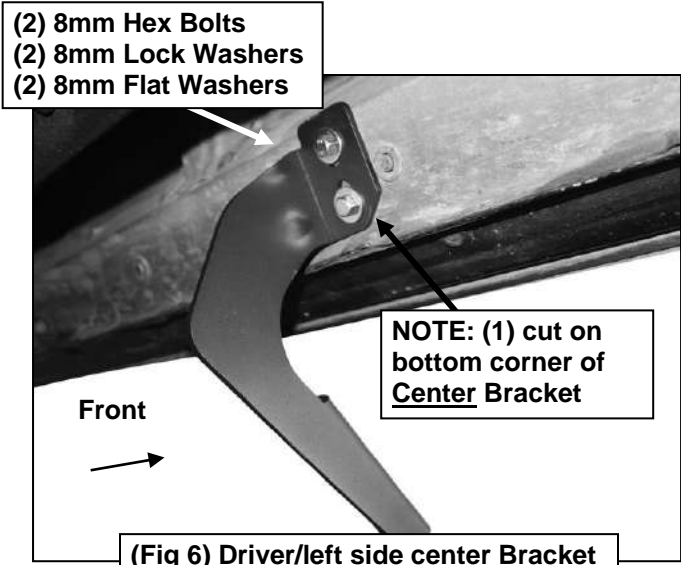


Fig 4

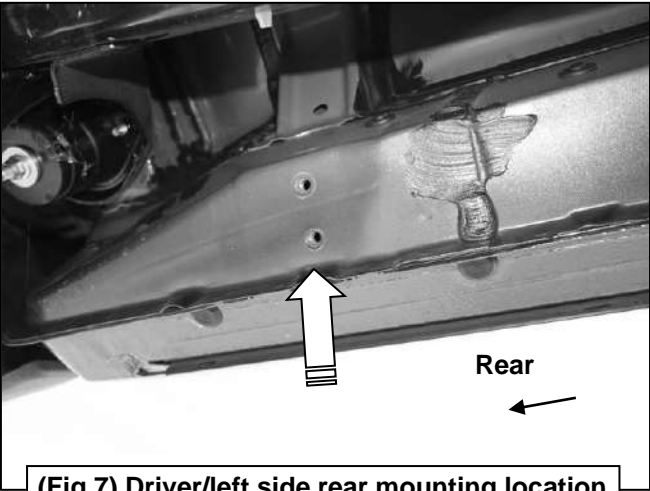
Driver/left Side Installation Pictured



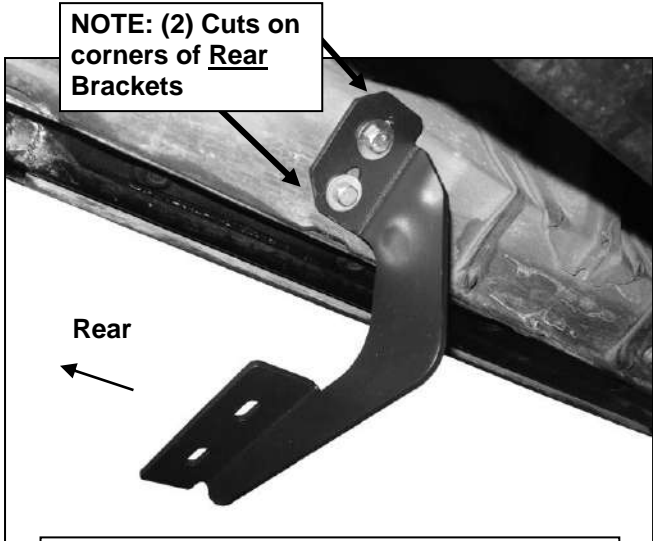
(Fig 5) Driver/left side center Bracket mounting location



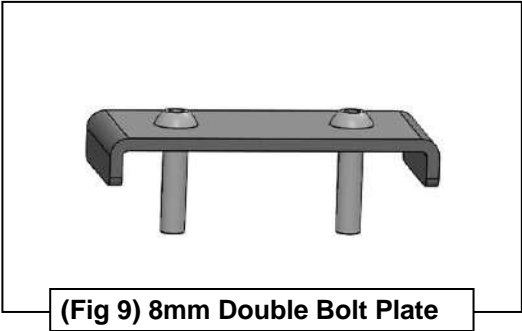
(Fig 6) Driver/left side center Bracket



(Fig 7) Driver/left side rear mounting location

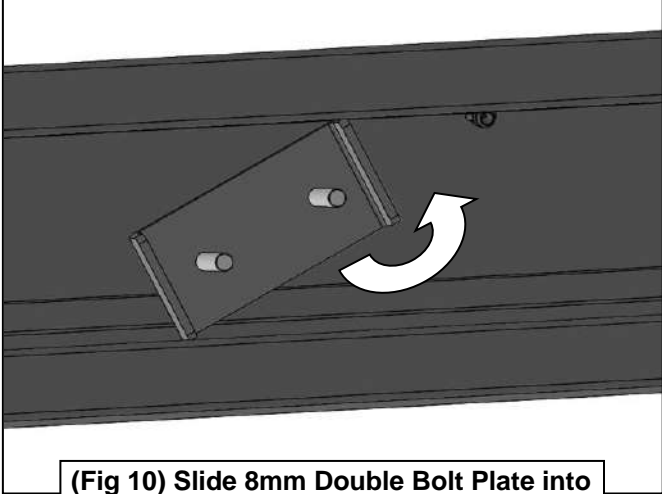


(Fig 8) Driver/left side rear Bracket installed

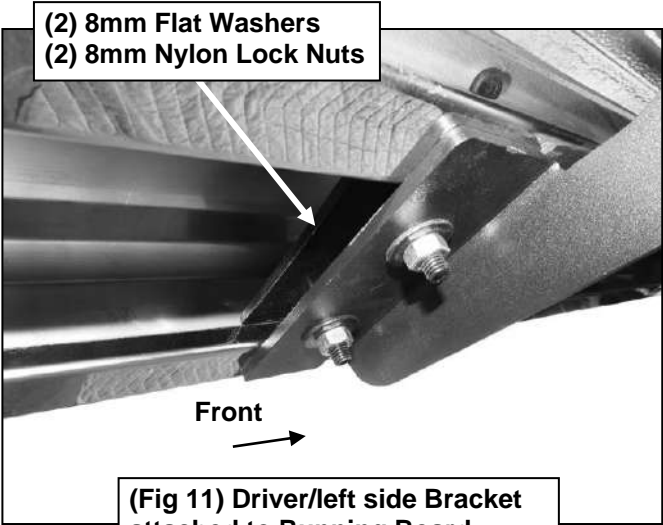


(Fig 9) 8mm Double Bolt Plate

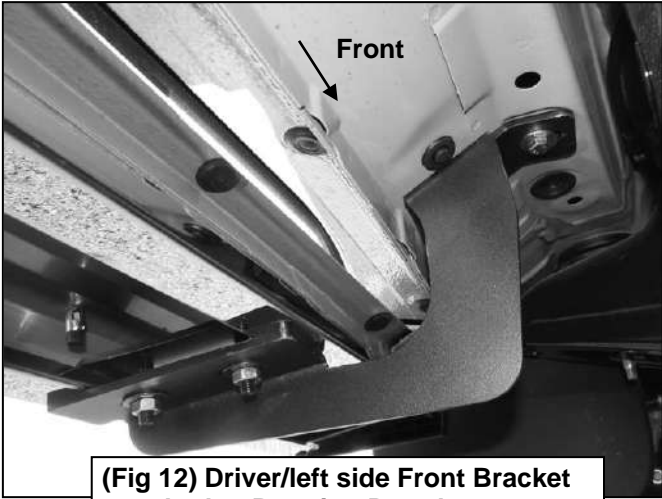
Driver/left Side Installation Pictured



(Fig 10) Slide 8mm Double Bolt Plate into channel on bottom of Running Board

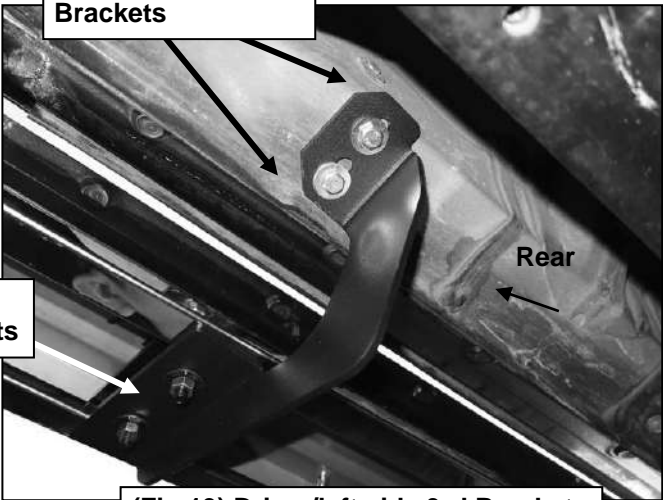


(Fig 11) Driver/left side Bracket attached to Running Board



(Fig 12) Driver/left side Front Bracket attached to Running Board

NOTE: (2) Cuts on corners of Rear Brackets



(Fig 13) Driver/left side 3rd Bracket attached to Running Board

**(2) 8mm Flat Washers
(2) 8mm Nylon Lock Nuts**



Complete Installation